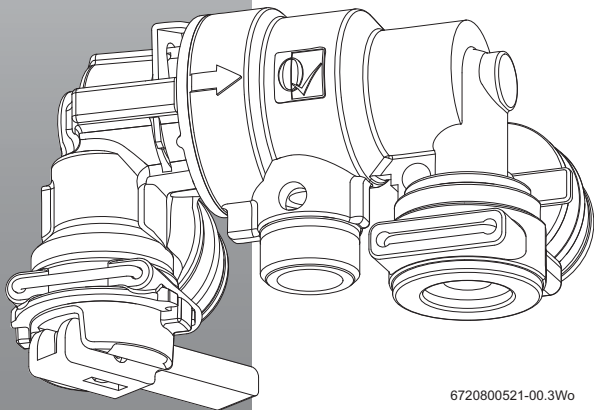


OPERATING MANUAL

# KEYLESS CA FILLING LINK

FOR WALL HUNG CONDENSING COMBINATION BOILERS



6720800521-00.3Wo



 **WORCESTER**  
Bosch Group

---

## CONTENTS


---

---

<b>1</b>	<b>Symbols &amp; Safety precautions</b> .....	<b>3</b>
1.1	Explanation of symbols .....	3
1.2	Safety precautions .....	3
<hr/>		
<b>2</b>	<b>Product information</b> .....	<b>4</b>
2.1	Supplied parts .....	4
<hr/>		
<b>3</b>	<b>General description</b> .....	<b>5</b>
<hr/>		
<b>4</b>	<b>Filling the system</b> .....	<b>6</b>

# 1 SYMBOLS & SAFETY PRECAUTIONS

## 1.1 EXPLANATION OF SYMBOLS

Symbol	Meaning
1.	a numbered step in an action sequence
▶	a step in an action sequence
	a reference number to identify or refer to a part or item
•	a list entry
–	a list entry (second level)

## 1.2 SAFETY PRECAUTIONS

### IF YOU SMELL GAS!

- Extinguish any naked flames
- Do not smoke or strike matches
- Do not turn electrical switches on or off
- Open doors and windows
- Keep people away from the affected area
- Turn off the gas control valve at the meter
- Call the National Gas Emergency Service on: 0800 111 999

### BOILER OPERATION:

This boiler must only be operated by a responsible adult who has been instructed in, understands and is aware of the boiler's operating conditions and effects.

### PLEASE READ THESE INSTRUCTIONS CAREFULLY

These instructions are applicable to the Worcester, Bosch Group boiler models stated on the front cover only.

These instructions apply in the UK/IE only and must be followed except for any statutory obligation.

After installation please leave this manual with the user.

## 2 PRODUCT INFORMATION

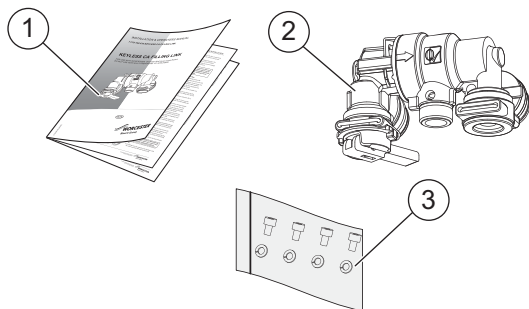
### 2.1 SUPPLIED PARTS

Check that the following parts are contained within the pack:

Keyless Filling Link Assembly 8 718 689 275 (including filter 8 718 689 347)

4 x Socket Head Cap Screw M4 x 6mm 2 910 141 116

4 x M4 Lock Washer 2 916 699 130



67206800521-01..4W6

Fig. 1 Filling link kit

- [1] Operation manual
- [2] Keyless filling link assembly (including filter)
- [3] Fitting screws and washers

### 3 GENERAL DESCRIPTION

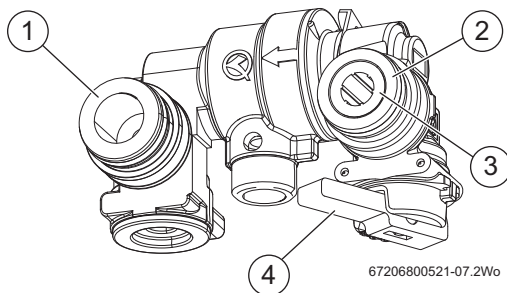
The Keyless filling link is a Type CA, non-verifiable disconnecter.

The filling link has a backflow prevention device and can be left permanently connected to the heating system.

The filling link is located under the boiler and requires the bottom panel to be removed to gain access.

Please consult your boiler Installation, Commissioning and Servicing manual for instructions on how to remove and replace the bottom panel.

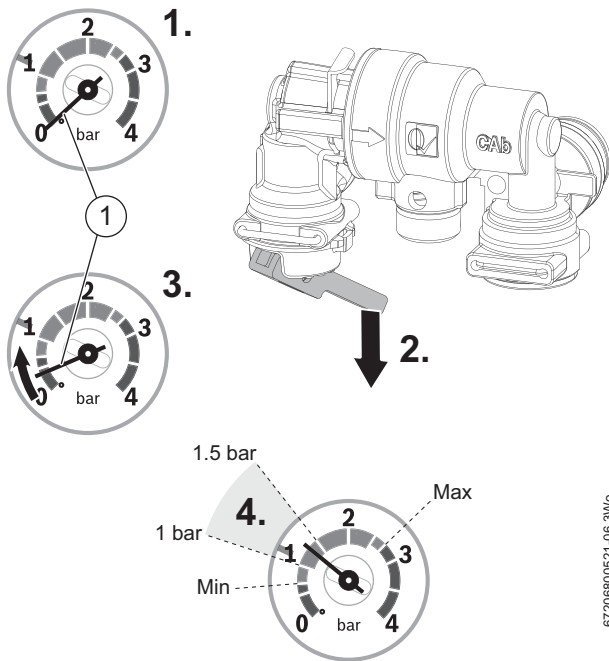
Replace the bottom panel after the re-pressuring procedure.



- [1] Central heating return connection
- [2] Domestic cold water connection
- [3] Filter
- [4] Filling lever

## 4 FILLING THE SYSTEM

1. If the needle on the appliance pressure gauge reads less than 1 bar, re-charge the system.
2. Pull the blue lever down to start the filling process.
3. Monitor the pressure gauge.
4. When the needle reaches between 1 to 1.5 bar on the gauge, release the blue lever to stop the filling process.



67206800521-06.3Wo

## NOTES

**WORCESTER, BOSCH GROUP:**

TECHNICAL SUPPORT:	0844 892 3366
APPOINTMENTS:	0844 892 3000
SPARES:	01905 752571
LITERATURE:	0844 892 9800
TRAINING:	01905 752526
SALES:	01905 752640

Worcester, Bosch Group  
Cotswold Way, Warndon, Worcester WR4 9SW.  
Tel. 0844 892 9900

Worcester, Bosch Group is a brand name of  
Bosch Thermotechnology Ltd.  
[worcester-bosch.co.uk](http://worcester-bosch.co.uk)  
6 720 805 981 (2013/06)

