

TECHNICAL BULLETIN

PRODUCT : REGULAR BOILERS

PUMP OVER-RUN BYPASS SOLUTION FOR MODULATING CIRCULATION PUMPS:

When a bypass is required for a Regular boiler during pump over-run on a system which incorporates a modulating circulation pump, the following guidance may be offered as a solution;

A spring loaded automatic bypass is normally not required when a modulating circulation pump is used. This solution will not replace a spring loaded automatic bypass nor will a spring loaded automatic bypass provide this function.

The sole purpose of this solution is to provide circulation at the end of a demand allowing dispersion of latent heat ensuring the boiler does not reach a temperature that would cause an over-heat lockout.

This solution will provide circulation for the appliance at the end of a demand once the zone valves have closed.

To utilise this method of bypass you will require a 3 wire spring return 3 port diverter valve; (Honeywell V4044C or equivalent).

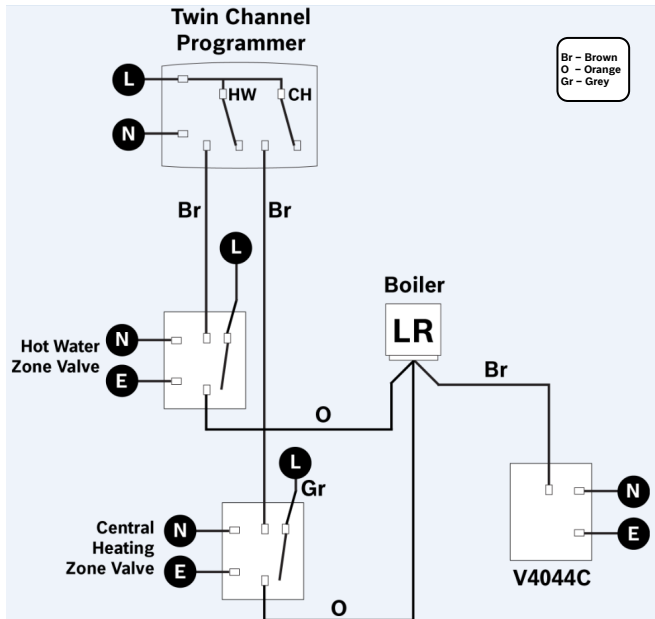


Fig 1 : Electrical Diagram

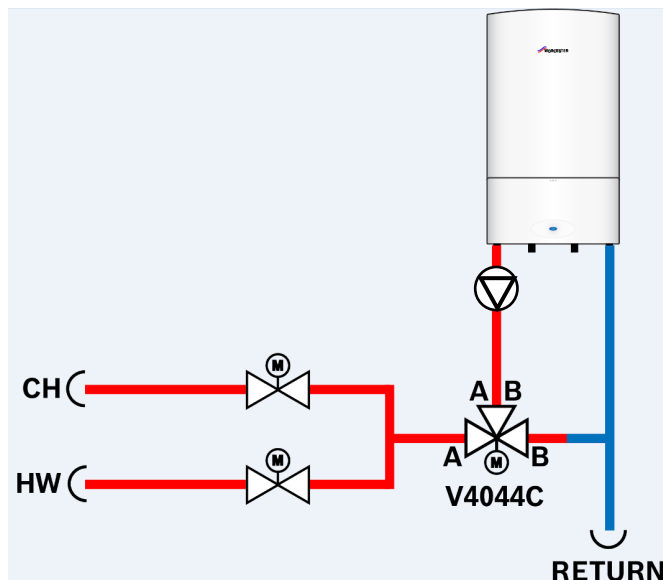


Fig 2 : Hydraulic Schematic