

# Greenstar 4000 Installer guide

Super quiet powerhouse

**10**  
Year  
Guarantee\*



Installer  
guide



# Greenstar 4000

## Created from the DNA of the Greenstar i

Built on the tried, tested and much-loved features of the Greenstar i, the Greenstar 4000 is instantly familiar and yet totally transformed in appearance, performance and installer plus points.

We've raised the bar with the speed and ease of installation, commissioning and servicing, alongside improvements in efficiency and control.



## Super quiet powerhouse

With plenty of power, the Greenstar 4000 packs a punch and makes installation a dream.

The 4000 is an incredible appliance, both in quality and performance.

Aaron @ Lyon-Williams Heating & Plumbing  
Sussex

It's easy to install with a great jig to pipe up to.

Adrian @ Jenkins Plumbing & Heating  
Buckinghamshire

The 4000 looks great, performs well and is very easy to install.

Jordan @ F&P Plumbing & Heating  
West Midlands

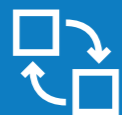
I recommend the 4000 over any boiler, simple to fit and customers are impressed with the design and ease of use.

Tom @ TDS Heating  
Worcestershire

### Why install the Greenstar 4000?



**Guaranteed**  
10 years peace of mind\*



**SimpleSwitch**  
With Greenstar i, i Junior and Si



**Flexible**  
Pre-piping jig and rear piping as standard



**Easy servicing**  
Front access to all key components including PRV



**Innovative design**  
Intuitive full-text colour display and RF control compatibility

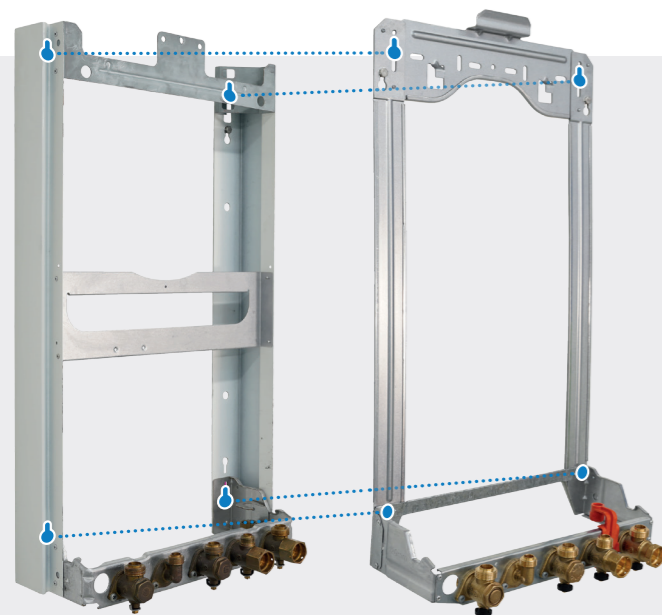


**Top performance**  
Wide modulation range and range rateable to reduce gas consumption





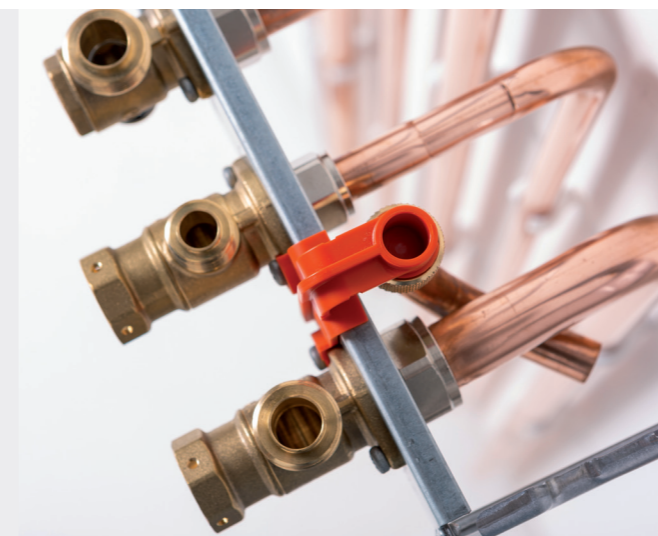
# The boiler that's made of more



## SimpleSwitch explained

SimpleSwitch refers to sharing the same positions for the top and bottom wall-frame screws, the pipework positioning, PRV, siphon and flue.

- ▶ This saves a significant amount of time when replacing a Greenstar i, i Junior or Si boiler



## PRV pre-fit elbow

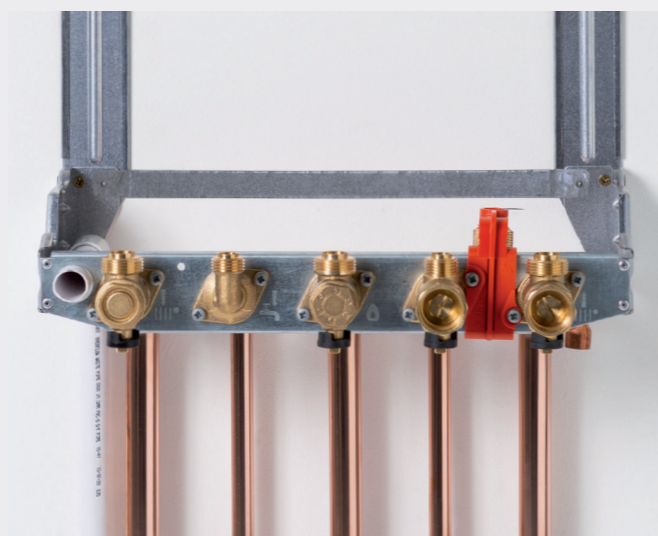
Supplied with the boiler, the elbow is designed to be angled for SimpleSwitch installations.

By turning the elbow as pictured, the installer can simply connect to existing i Junior, Si or i System PRV pipework that is often difficult to replace.

- ▶ You will only need to provide one 90 degree copper fitting to link the pipework

## Pre-piping jig

The wall-frame enables pre-piping for all pipe connections before the boiler is hung making installation easier.



## Condensate siphon

The large capacity 500ml condensate siphon increases the volume of condensate discharge and significantly reduces the risk of freezing.

- ▶ Real homeowner peace of mind during cold snaps
- ▶ Reduction of potential nuisance call-outs



## Longer flue lengths

One of the key enhancements of the Greenstar 4000, over the Greenstar i, is the flexibility offered with substantially longer flue lengths.

- ▶ Maximum flue lengths up to 12m (60/100mm), when run horizontally or vertically
- ▶ Improved flue length reduction on bends of 0.5m (45°) and 1.5m (90°)
- ▶ SimpleSwitch flue adaptor available to allow the same flue hole to be used when directly replacing an i Junior or Si



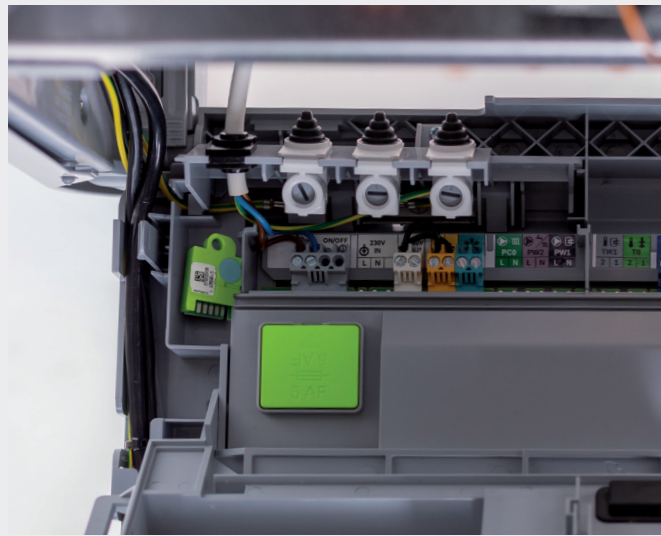
## Front and side panel removal

We've made it incredibly easy to access the internal components of the Greenstar 4000.

- ▶ The front cover can be removed by merely loosening two screws, rather than removing them altogether
- ▶ The boiler has been designed for easy access from the front, however, the right-hand side panel can also be removed



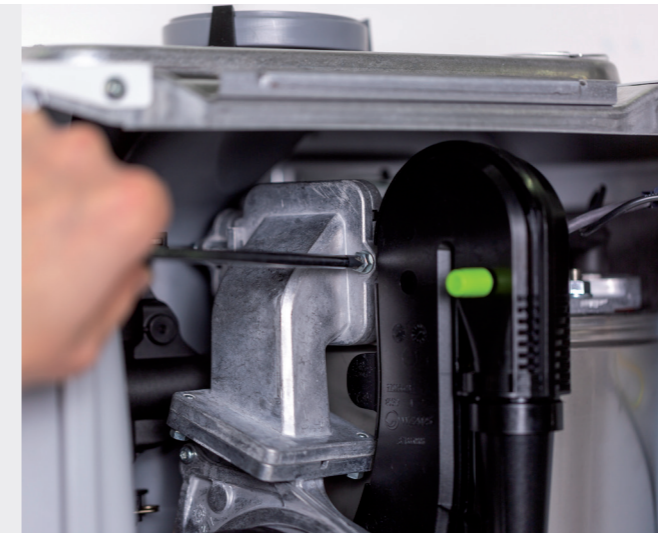
# The boiler that's made of more



## Wiring

The wiring connections can be accessed via one, simple, retained screw.

- ▶ The drop-down fascia has a simple wiring layout inherited from our top-of-the-range 8000 model
- ▶ The clear layout of connections makes installing third party controls straightforward and familiar



## Primary heat exchanger

Improved modulation decreases gas consumption, cuts energy bills and reduces component wear and tear through lower fan speeds.

- ▶ Access to burner and heat exchanger baffles by removing just one screw and one bolt
- ▶ A clearly marked, green-capped fan pressure test point indicates where to test for heat exchanger restriction and whether or not cleaning is required

## Control key

The Greenstar 4000 is compatible with our industry-first 'RF key' slot-in receiver, which provides wireless RF communication between the boiler and our load compensating controls.

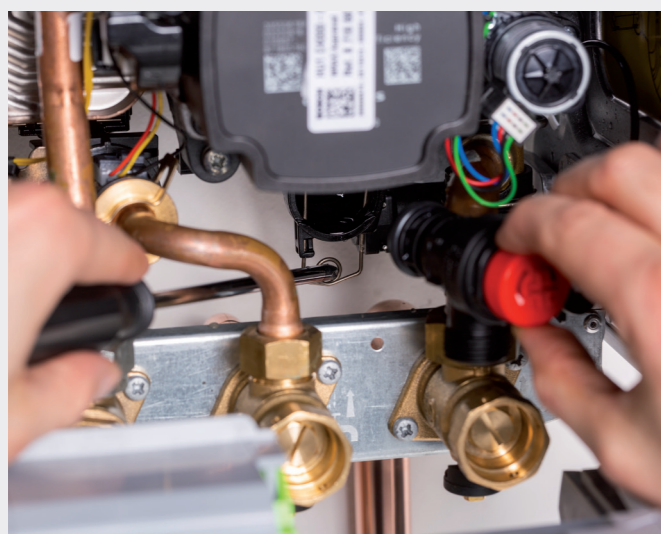
- ▶ Enables you to quickly and easily fit our wireless Bosch EasyControl, Comfort+ II RF and other Comfort+ controls
- ▶ Certain control keys will awaken the boiler's built-in timer functions, allowing intuitive control of central heating and hot water pre-heat times



## Intelligent filling system

The Greenstar 4000 combi is compatible with our Intelligent Filling System.

- ▶ Unique software ensures the boiler maintains optimum pressure
- ▶ Recognises a significant or sudden leak in the system and prevents the boiler from over-filling. It will also alert the homeowner if the heating system is losing too much pressure



## Front access to all components

The Greenstar 4000 can easily be serviced from the front, however for further access:

- ▶ The right-hand panel can be removed to reveal improved side access to the primary heat exchanger, pump and diverter valve
- ▶ Access to heat exchanger sensors and electrodes is also improved



## Digital and manual pressure gauge

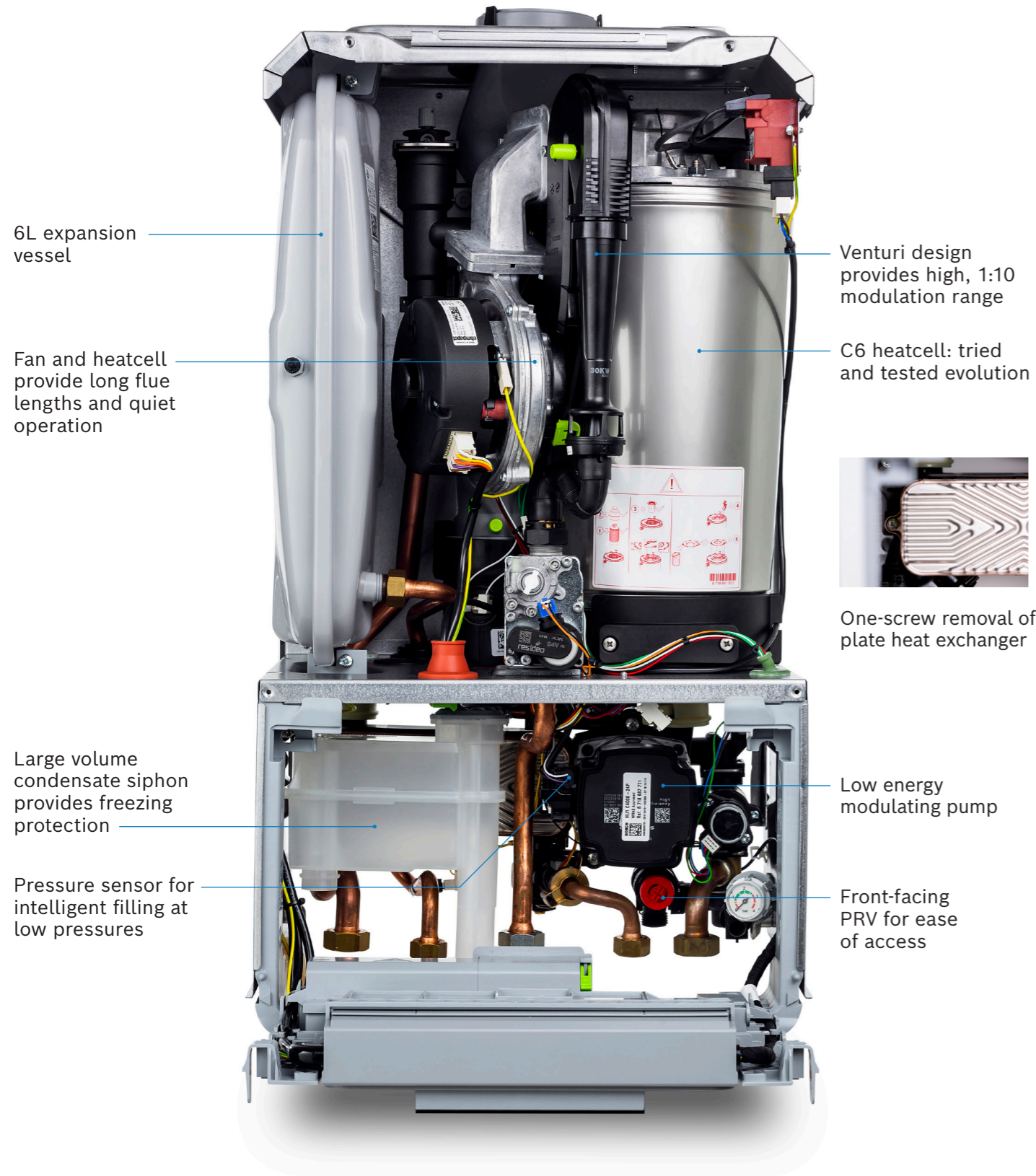
A digital pressure gauge is featured on the boiler control display, however a traditional gauge is situated to the side of the hydraulics.

- ▶ This allows the pressure to be monitored during installation and maintenance even when the power is off
- ▶ To improve access to the boiler's drain valve, the pressure gauge bracket can be easily removed from the structure



# Greenstar 4000

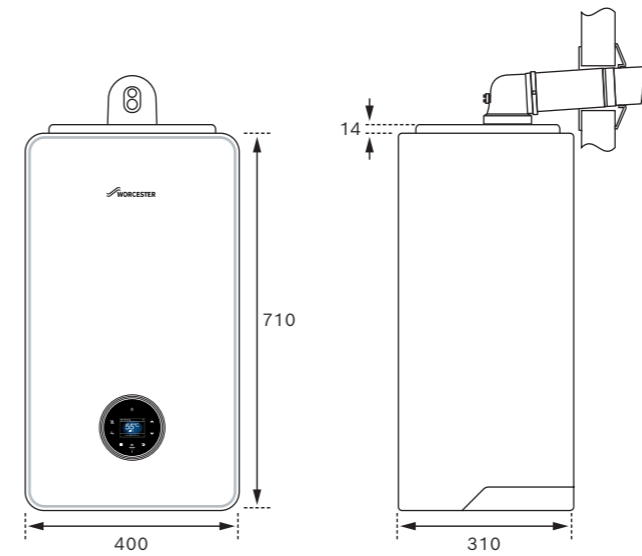
## The inside story



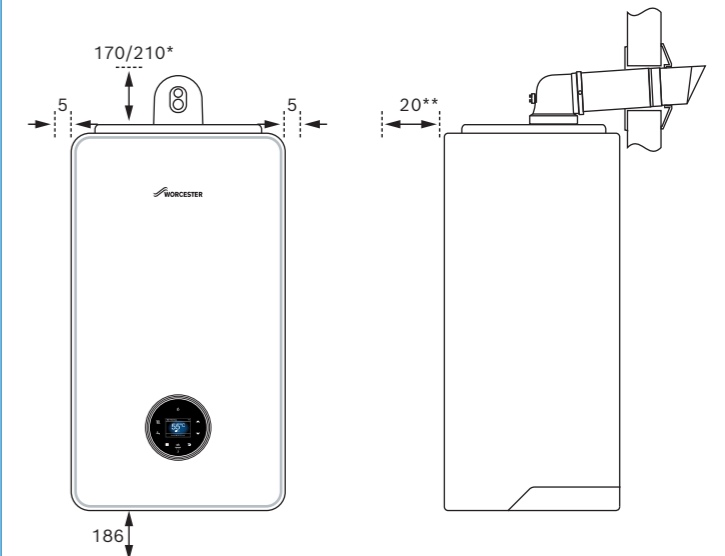
# Greenstar 4000

## Technical drawings

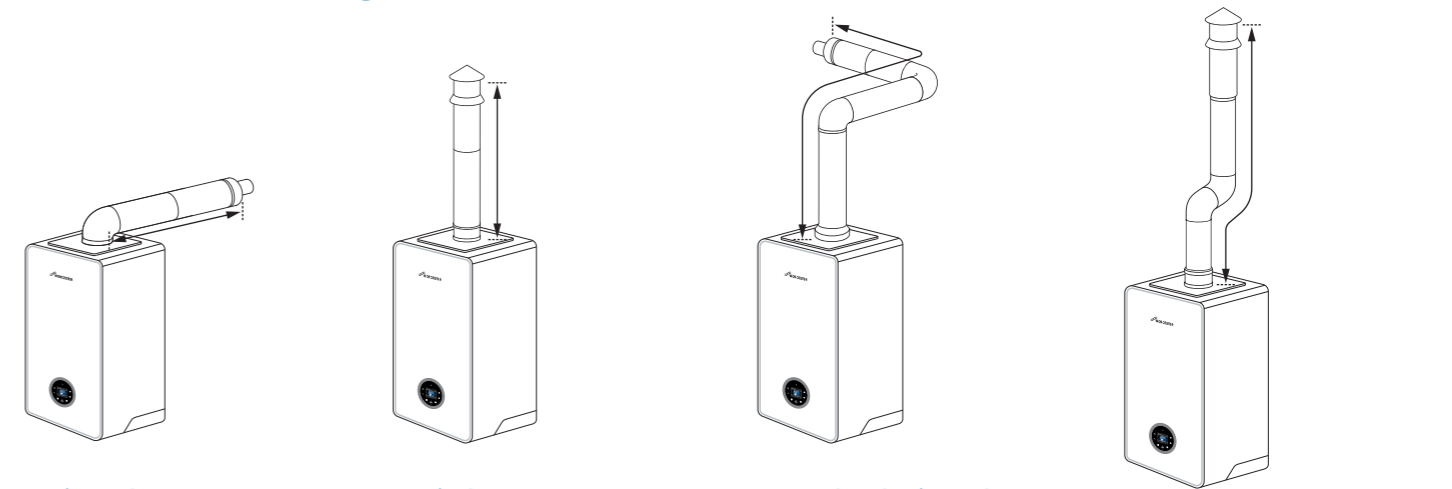
### Dimensions (mm)



### Clearances (mm)



### Maximum flue lengths (mm)



**Horizontal**  
60/100 maximum flue length 12m.  
80/125 maximum flue length 21m.

**Vertical**  
60/100 maximum flue length 12m.  
80/125 maximum flue length 21m.

**Upwards & horizontal**  
Each bend used has an equivalent straight flue length. 1.5m must be reduced from the maximum flue length per each 90° bend after the first elbow. In this instance the 60/100 maximum flue length would be 10.5m.

**Vertical 2x45 degree**  
Each bend used has an equivalent straight flue length. 0.5m must be reduced from the maximum flue length per each 45° bend. In this instance the 60/100 maximum flue length would be 11m.

\* 60/100 = 170mm and 80/125 = 210mm.  
\*\* 20mm from a removable cupboard door, 600mm from a fixed surface for servicing. Same clearances for ventilated and unventilated compartments. 450mm front clearance to a fixed surface is permitted if a) 300mm clearance on one side is guaranteed b) the bottom of the boiler is between 1000mm and 1500mm from the ground and c) 450mm front clearance is maintained from ground level to boiler.

# Greenstar 4000

## Technical data

Boiler type	Combi		System				
Model	25kW	30kW	12kW	15kW	18kW	21kW	24kW
Output kW to Central Heating	3kW – 24kW		1.9 – 12kW	1.9 – 15kW	3kW – 18kW	3kW – 21kW	3kW – 24kW
Horizontal and vertical max. flue length (60/100mm)	12m		16m		12m		
Horizontal and vertical max. flue length (80/125mm)	21m		20m		21m		
Height	724mm**		724mm**				
Width	400mm		400mm				
Depth	310mm		310mm				
Clearance above boiler (60/100; 80/125)	170; 210mm		170; 210mm				
Clearance from sides of boiler	5mm		5mm				
Clearance below boiler	186mm		186mm				
Clearance from front of boiler	450/600mm***		450/600mm***				
Clearance from front (to a removable door)	20mm****		20mm****				
Combi flow rate at the hot water tap (40°C rise*)	9 l/min	10.8 l/min	N/A				
Combi flow rate at the hot water tap (35°C rise)	10.2 l/min	12.3 l/min	N/A				
ErP Space Heating Efficiency Class	A / 94%		A / 94%				
Combi ErP Water Heating Efficiency Class	A		N/A				
Minimum static mains pressure for maximum flow rate	1.0bar	1.2bar	N/A				
Sound Power level	45dB(A)	42dB(A)	43dB(A)	45dB(A)	44dB(A)	45dB(A)	45dB(A)

\*\* Side panel height = 710mm. Boiler valves fully enclosed and hidden from vision.

\*\*\* 600mm from a fixed surface for servicing. Same clearances for ventilated and unventilated compartments. 450mm front clearance to a fixed surface is permitted if: a) 300mm clearance on one side is guaranteed, b) the bottom of the boiler is between 1000mm and 1500mm from the ground and c) 450mm front clearance is maintained from ground level to boiler.

\*\*\*\* 20mm from a removable cupboard door, 600mm from a fixed surface for servicing. Same clearances for ventilated and unventilated compartments. 450mm front clearance to a fixed surface is permitted if a) 300mm clearance on one side is guaranteed b) the bottom of the boiler is between 1000mm and 1500mm from the ground and c) 450mm front clearance is maintained from ground level to boiler.

\* Designed flow rate.

# Greenstar 4000

## Parts

Combi	
Greenstar 4000 25kW Combi NG	7 733 600 371
Greenstar 4000 30kW Combi NG	7 733 600 373
Greenstar 4000 25kW Combi LPG	7 733 600 372
Greenstar 4000 30kW Combi LPG	7 733 600 374

System	
Greenstar 4000 12kW System NG	7 733 600 377
Greenstar 4000 15kW System NG	7 733 600 379
Greenstar 4000 18kW System NG	7 733 600 381
Greenstar 4000 21kW System NG	7 733 600 383
Greenstar 4000 24kW System NG	7 733 600 385
Greenstar 4000 12kW System LPG	7 733 600 378
Greenstar 4000 15kW System LPG	7 733 600 380
Greenstar 4000 18kW System LPG	7 733 600 382
Greenstar 4000 21kW System LPG	7 733 600 384
Greenstar 4000 24kW System LPG	7 733 600 386

100mm Flues	
Standard telescopic flue & terminal (350 - 570mm)	7 716 191 082
Long telescopic flue kit (570 - 790mm)	7 716 191 171
Vertical 1,090mm BF kit (inc. adaptor)	7 719 002 430
Extension flue kit (960mm)	7 716 191 083
2m flue extension	7 716 191 172
Short flue extension (220mm)	7 716 191 133
90° flue bend	7 716 191 084
45° flue bend x 2	7 716 191 085
Support bracket kit	7 716 191 177
4000 SimpleSwitch flue adaptor 60/100mm	7 733 601 245

125mm Flues	
Standard telescopic flue & terminal (405 - 600mm)	7 719 003 702
Vertical 1,365mm BF kit (inc. adaptor)	7 719 002 431
Extension flue kit (960mm)	7 719 003 666
90° flue bend	7 719 003 664
45° flue bend	7 719 003 665

Controls	
Bosch EasyControl (White)	7 736 701 341
Bosch EasyControl (Black)	7 736 701 392
Bosch EasyControl RF Key	7 738 112 351
Bosch EasyControl Table Stand	7 736 701 576
Comfort+	7 738 112 321
Comfort+ Stat RF	7 738 112 338
Comfort+ I RF	7 738 112 323
Comfort+ II RF	7 738 112 324
MT20 Mechanical Timer	7 733 600 332
MT20RF Mechanical Thermostat	7 733 600 333

Accessories	
4000 Combi DHW Pre-heat Kit	7 733 601 289
Greenstar System Filter (22mm mini)	7 733 600 266
Greenstar System Filter (22mm)	7 733 600 236
Greenstar System Filter (28mm)	7 733 600 237
Greenstar System Filter (22mm brass)	7 733 600 476
Keyless Filling Link	7 716 192 610
Greenstar Intelligent Filling System	7 738 112 911
Greenstar Xtra FGHR Unit	7 736 900 525
4000 System Diverter Valve Kit	7 733 601 251
4000/Compact Remote PRV Kit	7 733 601 314
4000/Compact Pre-plumbing Kit	7 733 601 250
Earth Bonding Strip	7 733 601 316

Unvented Cylinders	
Green Storage WB Range Unvented 90l	7 733 601 298
Green Storage WB Range Unvented 120l	7 733 601 299
Green Storage WB Range Unvented 150l	7 733 601 300
Green Storage WB Range Unvented 180l	7 733 601 301
Green Storage WB Range Unvented 210l	7 733 601 302
Green Storage WB Range Unvented 250l	7 733 601 303
Green Storage WB Range Unvented 300l	7 733 601 304
Green Storage WB Range Unvented Solar 180l	7 733 601 306
Green Storage WB Range Unvented Solar 210l	7 733 601 307
Green Storage WB Range Unvented Solar 250l	7 733 601 308
Green Storage WB Range Unvented Solar 300l	7 733 601 309

# Get in touch

## Sales

Tel: 0330 123 9669

Email: [sales.bosch@uk.bosch.com](mailto:sales.bosch@uk.bosch.com)

## Technical Helpline (Pre & Post Sales)

Tel: 0330 123 3366

Email: [technical-advice@uk.bosch.com](mailto:technical-advice@uk.bosch.com)

## Spare Parts

Tel: 0330 123 9779

Email: [spares.mailbox@uk.bosch.com](mailto:spares.mailbox@uk.bosch.com)

## Controls Helpline

Tel: 0330 123 3641



## Training






Tel: 0330 123 0166

Email: [training@uk.bosch.com](mailto:training@uk.bosch.com)

[worcester-bosch.co.uk/eacademy](http://worcester-bosch.co.uk/eacademy)

# Share

We would love to see your installations!

-  Worcester Bosch Professional
-  @WorcesterBoschProfessional
-  @WorcesterBosch
-  Worcester Bosch
-  WorcesterBoschHeating

## Worcester Bosch

Cotswold Way

Warndon

Worcester

WR4 9SW

[worcester-bosch.co.uk](http://worcester-bosch.co.uk)

Calls to and from Bosch Thermotechnology Ltd may be recorded for training and quality assurance purposes. Worcester Bosch is a brand name of Bosch Thermotechnology Ltd. This brochure is accurate at the date of printing, but may be superseded and should be disregarded if specification and/or appearances are changed in the interest of continued improvement. The statutory rights of the consumer are not affected.

