



BOSCH

Greenstar 8000+ Installer guide

Style and substance



Installer
guide



Greenstar 8000+ The big-time boiler

For your biggest customer homes and the busiest family schedules. The Greenstar 8000+ can handle high hot water and heating demands, with ease of installation, maintenance or serviceability for you. With rear piping, pre-plumbing jig, large condensate siphon and keyless filling link for combis – this is a heavyweight boiler with a lightweight workload.



Greenstar 8000+ Style Top class boiler

For the busiest mornings and the biggest family homes, the Greenstar 8000+ Style lives up to the most stylish of homes with its stunning contemporary design. A powerhouse able to cope with bustling schedules, but with rear piping, pre-plumbing jig, large condensate siphon, and keyless filling link – this is a boiler that can do it all, without taking up all your time.



Why install the Greenstar 8000+?



Powerful
32kW – 50kW outputs at 1.2 – 1.8 bar for 100% flow



SimpleSwitch
Easy switch-out from a CDi classic



Modern design
Clean design for modern homes



Improved display
Full colour display with backlit touch buttons



Convenient
Intelligent Filling System available for combi



Easy installation
Installer-friendly servicing and maintenance

Why install the Greenstar 8000+ Style?

8000+ with extra features:



Stunning style
Glossy black finish and dotted design



Matching design
Stylish silver flues to complement the boiler



Power
32kW & 36kW combi available in NG outputs

Style and substance



Front cover

- ▶ Reinforced steel front cover available in high gloss black (Style only)
- ▶ Easy to remove with just one screw



Control key

- ▶ Industry first 'RF Key' receiver links time and temperature controls to the boiler
- ▶ Enables you to fit our Greenstar Comfort+ II RF and Bosch EasyControl with ease

Top and side panels

- ▶ No further screws needed for internal access thanks to removable top and side panels
- ▶ With the casing removed, the boiler can be lifted easily with two large handles
- ▶ Its open structure allows for easy access to the hydraulic block



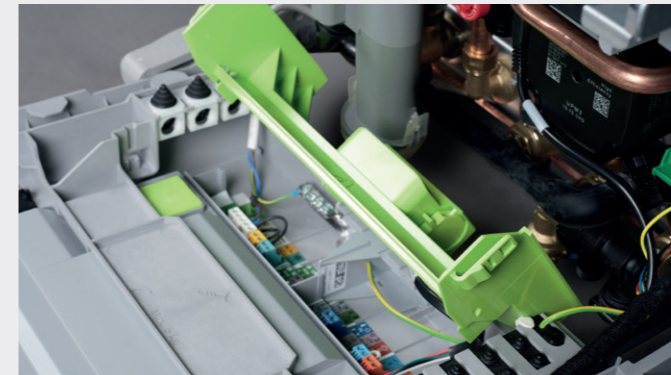
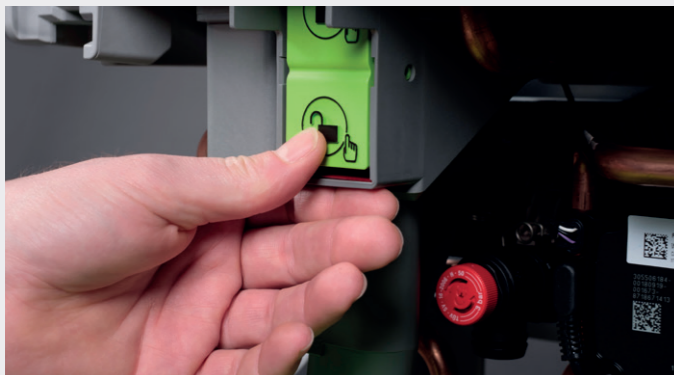
Pressure gauge and sensor

- ▶ Digital gauge featured on the boiler control display
- ▶ Pressure can be monitored during installation and maintenance even when the power is off
- ▶ High quality pressure sensor and pressure monitoring logic ensures no disruption



Condensate trap and front access PRV

- ▶ The large capacity trap increases the volume of condensate discharge, reducing the risk of freezing
- ▶ Drain down the boiler without connecting to an external drain-off hose
- ▶ Front access PRV can be removed in less than 10 minutes



Hydraulic and wiring

- ▶ Control fascia can be quickly dropped for comfortable service access
- ▶ Wiring connections accessible without any screws, laid out similar to our Greenstar 4000
- ▶ Built-in screwdriver holder and screw tray for added convenience

Greenstar 8000+ & 8000+ Style Controls



Bosch EasyControl

- ▶ Smart, internet connected programmable control
- ▶ Can be installed wirelessly with the Greenstar 8000+ range
- ▶ DHW and CH can be programmed, monitored and controlled via the Bosch EasyControl app
- ▶ Decide heating times and temperatures for individual rooms with our smart Bosch TRVs*
- ▶ Store your details directly into the app, so your customer can contact you when they need to
- ▶ Smart integrations with Amazon Alexa, Siri shortcuts, and IFTTT
- ▶ Available in black or white so customers can match to their boiler



Comfort+ II RF

- ▶ Wireless room thermostat with backlit display, push-buttons and dial
- ▶ Load Compensation for enhanced efficiency
- ▶ Landlord function
- ▶ All-in-one time and temperature control – perfect for boilers that are not easily accessible
- ▶ Low pressure indication
- ▶ Six adjustable heating and hot water time periods using our easy to use menu
- ▶ Compatible with our Comfort+ Wireless Outdoor Weather Sensor



Comfort+ I RF

- ▶ Wireless room thermostat with clear display and simple dial adjustment
- ▶ Plug-and-play installation
- ▶ Pre-paired wireless room thermostat and RF key receiver
- ▶ Load compensation for enhanced efficiency

* Installing smart TRVs will enable weather compensation mode.

Greenstar 8000+ & 8000+ Style The inside story

Separate combustion cover (not shown) allows other servicing steps to be completed without seal disturbance

10L Expansion vessel

Fan delivers high outputs and a max flue length of up to 17m (60/100mm, horizontal)

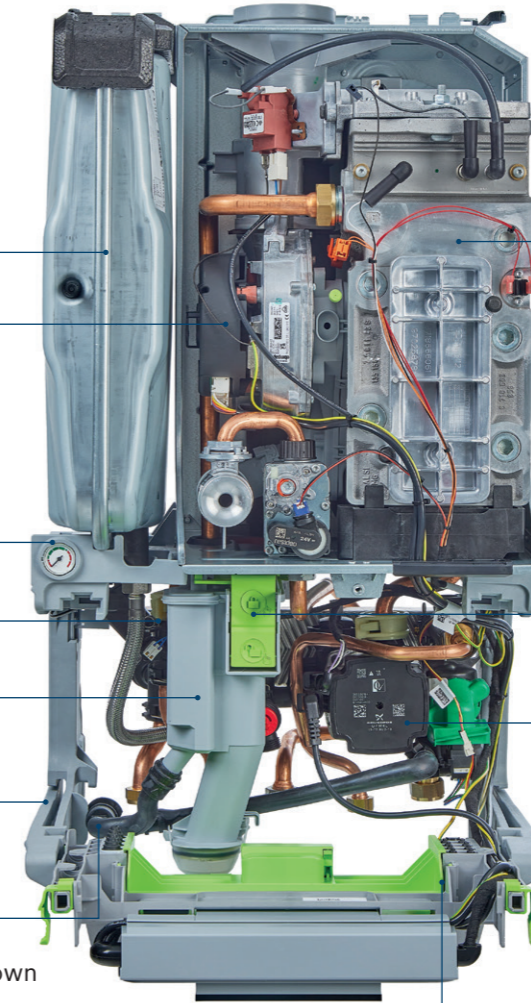
Pressure gauge to support initial fill

Front-facing PRV for ease-of-access

Large volume siphon minimises likelihood of frozen condensate

Easy-to-remove side panels reduce lift weight

Combined drain-off and condensate supports straightforward boiler drain-down



Keyless filling link (not shown) provides homeowners with a simple method of system pressure top-up

Easy-to-service C5 Heatcell known for its robustness

Green touchpoints enhance intuitive component interaction

Robust UMP 4 pump

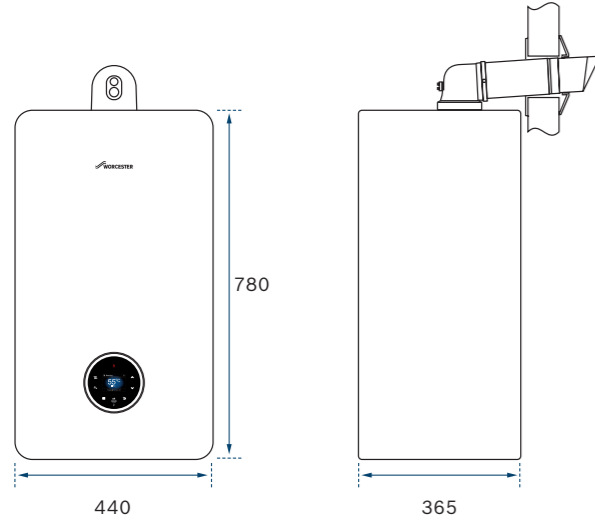
Range rating the max CH output (down to 50%) for smaller, well-insulated properties



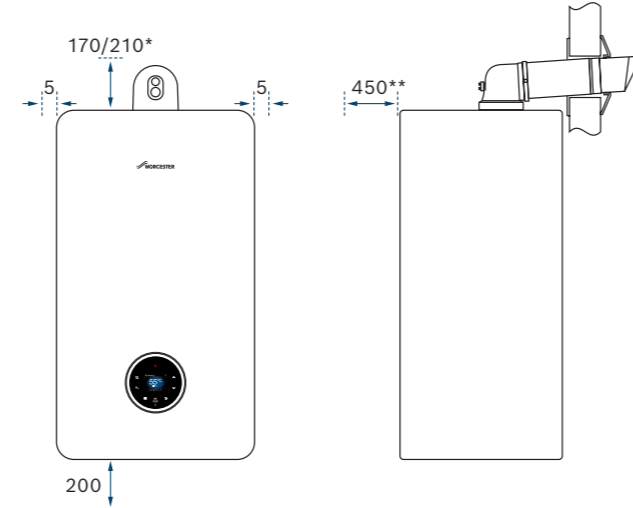
Screen display
Intuitive, clear colour display is easy to use and control.

Greenstar 8000+ & 8000+ Style Technical drawings

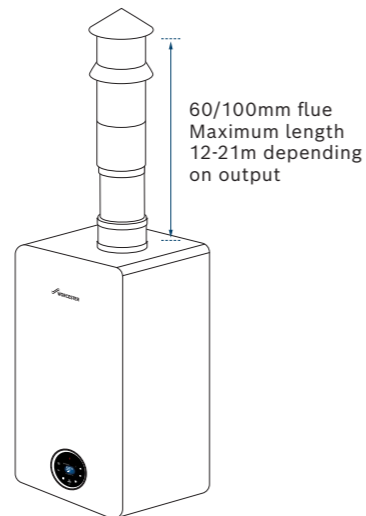
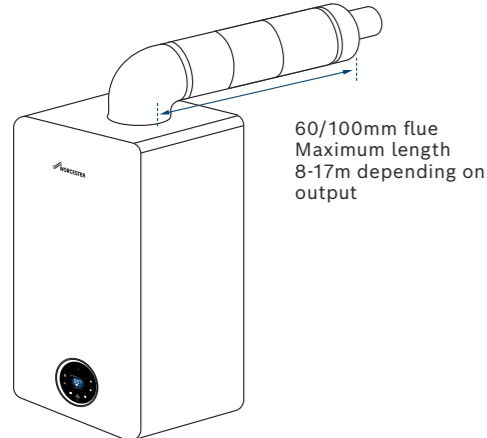
Dimensions (mm)



Clearances (mm)



Maximum flue lengths (mm)



Greenstar 8000+ & 8000+ Style Technical data

Boiler type	Combi		System and Regular [^]		Combi and Regular [^]		
	32kW	36kW	30kW	35kW	40kW	45kW	50kW
Output							
Maximum horizontal flue lengths (60/100)	17m	10m	17m/17m [^]	10m/10m [^]	11m/11m [^]	8m/8m [^]	9m/9m [^]
Maximum vertical flue lengths (60/100)	21m	14m	21m/21m [^]	14m/14m [^]	15m/15m [^]	12m/12m [^]	12m/12m [^]
Clearance above the appliance	170/210mm ^{^^}	170/210mm ^{^^}	170/210mm ^{^^}	170/210mm ^{^^}	170/210mm ^{^^}	170/210mm ^{^^}	170/210mm ^{^^}
Clearance (sides)	5mm	5mm	5mm	5mm	5mm	5mm	5mm
Clearance (below)	200mm	200mm	200mm	200mm	200mm	200mm	200mm
Clearance (front)	450mm [#]	450mm [#]	450mm [#]	450mm [#]	450mm [#]	450mm [#]	450mm [#]
Width	440mm	440mm	440mm	440mm	440mm	440mm	440mm
Height	780mm	780mm	780mm	780mm	780mm	780mm	780mm
Depth	365mm	365mm	365mm	365mm	365mm	365mm	365mm
Combi flow rate at the hot water tap (35°C)[†]	13.7 l/min	15.2 l/min	N/A	N/A	17.1 l/min	18.2 l/min	20.2 l/min
Combi flow rate at the hot water tap (40°C)^{##}	12 l/min	13.5 l/min	N/A	N/A	15 l/min	16 l/min	18 l/min
Central heating output range	5.1-29.6kW	5.1-33.7kW	3.0-29.6kW / 3.0-29.6kW [^]	5.1-33.7kW / 5.1-33.7kW [^]	5.1-33.7kW / 5.1-39.8kW [^]	6.3-33.8kW / 6.3-42.6kW [^]	6.3-33.8kW / 6.3-47.8kW [^]
ErP Space Heating Efficiency Class	A	A	A	A	A	A	A
Combi ErP Water Heating Efficiency Class^{††}	A	A	N/A	N/A	A / N/A [^]	A / N/A [^]	A / N/A [^]

^{^^} Height for either 60/100 flue or 80/125 flue.

[#] 20mm from a removable cupboard door. 450mm from a fixed surface for servicing. Same clearances for ventilated and unventilated compartments.

^{##} Designed operational flow rate. Maximum flow is subject to a tolerance of 15%. Maximum flow rates will only be achieved if sufficient dynamic pressure between 1.2 bar - 1.8 bar is available.

[†] Values for industry comparisons.

^{††} Declared load profile XL.

Greenstar 8000+ & 8000+ Style Parts & flues

Greenstar 8000+

Combi	
Greenstar 8000+ 32kW Combi NG	7 736 702 578
Greenstar 8000+ 36kW Combi NG	7 736 702 579
Greenstar 8000+ 40kW Combi NG	7 736 702 582
Greenstar 8000+ 45kW Combi NG	7 736 702 583
Greenstar 8000+ 50kW Combi NG	7 736 702 584
Greenstar 8000+ 32kW Combi LPG	7 736 702 585
Greenstar 8000+ 36kW Combi LPG	7 736 702 586
Greenstar 8000+ 40kW Combi LPG	7 736 702 587
Greenstar 8000+ 45kW Combi LPG	7 736 702 588
Greenstar 8000+ 50kW Combi LPG	7 736 702 589

System	
Greenstar 8000+ 30kW System NG	7 736 702 590
Greenstar 8000+ 35kW System NG	7 736 702 591
Greenstar 8000+ 30kW System LPG	7 736 702 597
Greenstar 8000+ 35kW System LPG	7 736 702 598

Regular	
Greenstar 8000+ 30kW Regular NG	7 736 702 592
Greenstar 8000+ 35kW Regular NG	7 736 702 593
Greenstar 8000+ 40kW Regular NG	7 736 702 594
Greenstar 8000+ 45kW Regular NG	7 736 702 595
Greenstar 8000+ 50kW Regular NG	7 736 702 596
Greenstar 8000+ 30kW Regular LPG	7 736 702 599
Greenstar 8000+ 35kW Regular LPG	7 736 702 600
Greenstar 8000+ 40kW Regular LPG	7 736 702 601
Greenstar 8000+ 45kW Regular LPG	7 736 702 602
Greenstar 8000+ 50kW Regular LPG	7 736 702 603

Greenstar 8000+ Style

Combi	
Greenstar 8000+ Style 32kW Combi NG	7 736 702 580
Greenstar 8000+ Style 36kW Combi NG	7 736 702 581

Flues

100mm White Flues	
Standard telescopic flue & terminal (350 - 570mm)	7 716 191 082
Extension flue kit (960mm)	7 716 191 083
Short flue extension (220mm)	7 716 191 133
Plume management kit (60mm dia.)	7 716 191 086
90° flue bend	7 716 191 084
45° flue bend	7 716 191 085
Support bracket kit	7 716 191 177
Vertical 1,090mm BF kit (inc. adaptor)	7 719 002 430

100mm Silver Flues	
Silver Standard telescopic flue & terminal (350 - 570mm)	7 738 112 869
Silver Extension flue kit (960mm)	7 738 112 871
Silver Short flue extension (220mm)	7 738 112 873
Silver 90° flue bend x 1	7 738 112 874
Silver 45° flue bend x 2	7 738 112 875

Greenstar 8000+ & 8000+ Style Accessories

Controls	
EasyControl (White)	7 736 701 341
EasyControl (Black)	7 736 701 392
EasyControl RF Key	7 738 113 610
EasyControl Table Stand	7 736 701 576
EasyControl and 3 x Smart TRV Set – White	7 736 701 555
EasyControl and 3 x Smart TRV Set – Black	7 736 701 556
Individual Smart TRV	7 736 701 575
Smart Individual Room Thermostat (230V)	8 750 001 003
Smart Individual Room Thermostat (24V)	8 750 001 004
Comfort+ I RF	7 738 112 323
Comfort+ II RF	7 738 112 324
Greenstar Sense I	7 738 110 054
Greenstar Sense II	7 738 111 064
Comfort+ Wireless Outdoor Weather Sensor	7 738 112 343

Accessories	
Greenstar Intelligent Filling System	7 738 112 911
Greenstar System Filter (22mm mini)	7 733 600 266
Greenstar System Filter (22mm)	7 733 600 236
Greenstar System Filter (28mm)	7 733 600 237
Greenstar System Filter (22mm brass)	7 733 600 476
Vertical Pre-piping Assembly Kit	7 716 192 607
Greenstar Low Loss Header	7 716 192 614
DHW Pre-heat Accessory	7 738 113 072
Remote PRV Kit	7 738 112 910

System Care Packs	
Wireless Bosch EasyControl (White) System Care Pack	7 733 600 433
Greenstar Comfort+ II RF System Care Pack	7 733 600 401
Greenstar Connected System Care Pack	7 733 601 377

Unvented Cylinders	
Green Storage WB Range Unvented 90L	7 733 601 298
Green Storage WB Range Unvented 120L	7 733 601 299
Green Storage WB Range Unvented 150L	7 733 601 300
Green Storage WB Range Unvented 180L	7 733 601 301
Green Storage WB Range Unvented 210L	7 733 601 302
Green Storage WB Range Unvented 250L	7 733 601 303
Green Storage WB Range Unvented 300L	7 733 601 304
Green Storage WB Range Unvented Solar 180L	7 733 601 306
Green Storage WB Range Unvented Solar 210L	7 733 601 307
Green Storage WB Range Unvented Solar 250L	7 733 601 308
Green Storage WB Range Unvented Solar 300L	7 733 601 309

Get in touch

Sales

Tel: 0330 123 9669

Email: sales.bosch@uk.bosch.com

Technical Helpline (Pre & Post Sales)

Tel: 0330 123 3366

Email: technical-advice@uk.bosch.com

Spare Parts

Tel: 0330 123 9779

Email: spares.mailbox@uk.bosch.com

Controls Helpline

Tel: 0330 123 3641



Training

Tel: 0330 123 0166

Email: training@uk.bosch.com

worcester-bosch.co.uk/eacademy

Share

We would love to see your installations!



Worcester Bosch Professional



@WorcesterBoschProfessional



@WorcesterBosch



Worcester Bosch



WorcesterBoschHeating

Worcester Bosch

Cotswold Way

Warndon

Worcester

WR4 9SW

worcester-bosch.co.uk

Calls to and from Bosch Thermotechnology Ltd may be recorded for training and quality assurance purposes. Worcester Bosch is a brand name of Bosch Thermotechnology Ltd. This brochure is accurate at the date of printing, but may be superseded and should be disregarded if specification and/or appearances are changed in the interest of continued improvement. The statutory rights of the consumer are not affected.

