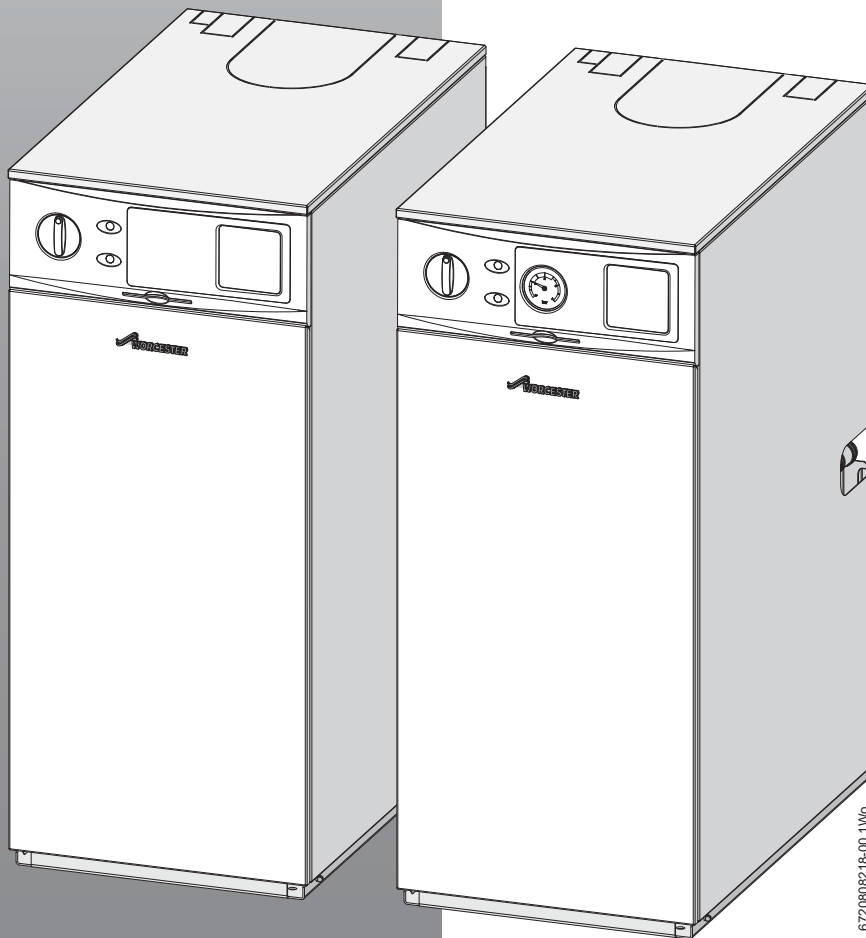


Installation, Commissioning and Servicing instruction manual  
Floor Standing oil-fired Condensing Boiler Conventional Flue & Room Sealed Flue

# Greenstar Danesmoor Kitchen Regular <sup>ErP+</sup> & Kitchen System <sup>ErP+</sup> 12/18, 18/25, & 25/32

For fully pumped open vent or sealed central heating systems and domestic hot water cylinders  
These appliances are for use with Kerosene (Class C2) only.



6720808218-00-1Wc


## Contents

|          |  |           |
|----------|--|-----------|
| <b>1</b> | <b>Key to symbols and safety instructions</b> .....                                      | <b>3</b>  |
| 1.1      | Key to symbols .....   | 3         |
| 1.2      | General safety instructions .....  | 3         |
| <b>2</b> | <b>Installation regulations</b> .....  | <b>5</b>  |
| 2.1      | Complying with the building regulations .....  | 5         |
| <b>3</b> | <b>Appliance information</b> .....   | <b>6</b>  |
| 3.1      | General information .....  | 6         |
| 3.2      | Technical data .....   | 6         |
| 3.3      | Energy efficiency .....  | 7         |
| 3.4      | Layout and components - 18/25 System appliance shown .....                               | 8         |
| 3.5      | Layout and components - 18/25 Regular appliance shown .....                              | 10        |
| <b>4</b> | <b>Pre-Installation</b> .....  | <b>12</b> |
| 4.1      | Cleaning primary systems .....   | 12        |
| 4.1.1    | Before cleaning the system: .....  | 12        |
| 4.1.2    | Flushing the system .....  | 12        |
| 4.1.3    | Appliance drain points .....   | 12        |
| 4.1.4    | Appliance vent points .....  | 12        |
| 4.1.5    | Inhibitor .....  | 12        |
| 4.1.6    | Artificially softened water .....  | 13        |
| 4.2      | Mains supply .....   | 13        |
| 4.2.1    | Electrical supply .....  | 13        |
| 4.3      | Oil supply .....   | 13        |
| 4.3.1    | Single pipe gravity feed system: .....   | 13        |
| 4.3.2    | Double pipe sub-gravity feed system: .....   | 14        |
| 4.3.3    | Single pipe suction lift with de-aerator: .....  | 14        |
| 4.3.4    | Pipework .....   | 14        |
| 4.3.5    | Boiler isolation valve .....   | 14        |
| 4.4      | Water systems and pipework .....   | 15        |
| 4.5      | Condensate discharge .....   | 16        |
| 4.5.1    | Condensate pipe work .....   | 16        |
| 4.5.2    | Internal connections .....   | 17        |
| 4.5.3    | External connections .....   | 17        |
| 4.6      | Pressure relief pipework .....   | 19        |
| 4.7      | Boiler locations and clearances .....  | 19        |
| 4.8      | Flue terminal positions .....  | 20        |
| 4.9      | Flue options .....   | 23        |
| 4.9.1    | Conventional flue (CF) .....   | 23        |
| 4.9.2    | Room sealed flue options .....   | 24        |
| <b>5</b> | <b>Installation</b> .....  | <b>25</b> |
| 5.1      | Unpacking the boiler .....   | 25        |
| 5.2      | Pipework positions and flue opening .....  | 25        |
| 5.3      | Boiler installation .....  | 27        |
| 5.4      | Flue installation .....  | 28        |
| 5.4.1    | Flue damper installation .....   | 28        |
| 5.4.2    | Installation notes .....   | 29        |
| 5.5      | Combustion chamber (18/25 Regular shown) .....   | 29        |
| 5.6      | Pipework connections .....   | 30        |
| 5.7      | Oil burner and pump .....  | 32        |
| 5.8      | Refitting components .....   | 33        |
| 5.9      | Electrical .....   | 33        |
| <b>6</b> | <b>Commissioning</b> .....   | <b>40</b> |
| 6.1      | Pre-Commissioning checks - 18/25 Regular shown ...                                       | 40        |
| 6.2      | Filling the system .....   | 40        |
| 6.3      | Water treatment .....  | 41        |
| 6.4      | Starting the appliance .....   | 41        |
| 6.4.1    | Single pipe gravity feed system .....  | 41        |
| 6.4.2    | Double pipe sub-gravity feed systems and single pipe suction lift with de-aerator: ..... | 41        |
| 6.4.3    | Pump adjustments .....   | 42        |
| 6.4.4    | Burner head setting .....  | 43        |
| 6.4.5    | Boiler lockout indicator on .....  | 43        |
| 6.4.6    | Combustion checks .....  | 44        |
| 6.4.7    | Central heating .....  | 45        |
| 6.5      | Finishing commissioning .....  | 45        |
| 6.5.1    | Hand over .....  | 46        |
| 6.5.2    | Appliance guarantee .....  | 46        |
| <b>7</b> | <b>Service and Spares</b> .....  | <b>47</b> |
| 7.1      | Inspection and service - 18/25 Regular shown .....                                       | 47        |
| 7.2      | Pre-service checks .....   | 47        |
| 7.3      | Service requirements .....   | 48        |
| 7.4      | Sealed system only .....   | 48        |
| 7.5      | Clean the burner .....   | 48        |
| 7.6      | Oil burner nozzle .....  | 48        |
| 7.7      | Pump filter .....  | 49        |
| 7.8      | External oil filter .....  | 49        |
| 7.9      | Combustion chamber - 18/25 Regular shown .....   | 49        |
| 7.10     | Oil supply system and tank .....   | 50        |
| 7.11     | Clean the boiler - Manifold access .....   | 50        |
| 7.12     | Re-commissioning the burner .....  | 50        |
| 7.13     | After service hand over .....  | 51        |
| 7.14     | Spares .....   | 51        |
| <b>8</b> | <b>Fault finding and diagnosis</b> .....   | <b>52</b> |
| 8.1      | Burner functions .....   | 52        |
| 8.2      | Heating and hot water .....  | 53        |
| 8.3      | Boiler function .....  | 54        |
| 8.4      | Logic for the 535 SE/LD RDB control box .....  | 55        |
| 8.5      | Riello control box 12/18 model .....   | 56        |
| 8.5.1    | Control box LED codes .....  | 56        |
| 8.5.2    | Fault finding .....  | 56        |
| 8.5.3    | Flame sensing photocell 12/18 models .....   | 58        |
| 8.5.4    | Flame sensing photocell 18/25 and 25/32 models ...                                       | 58        |
| 8.6      | Oil supply vacuum testing .....  | 58        |
| 8.7      | Air pressure switch and flue overheat reset .....  | 58        |
| 8.8      | Air pressure switch connections .....  | 58        |
| 8.9      | Oil appliance commissioning checklist .....  | 59        |
| 8.10     | Service interval record .....  | 60        |

# 1 Key to symbols and safety instructions

## 1.1 Key to symbols


### Warnings

|   |   |
|---|---|
|  | <p>Warnings in this document are identified by a warning triangle printed against a grey background.</p> <p>Keywords at the start of a warning indicate the type and seriousness of the ensuing risk if measures to prevent the risk are not taken.</p> |
|---|---|

The following keywords are defined and can be used in this document:

- **NOTICE** indicates a situation that could result in damage to property or equipment.
- **CAUTION** indicates a situation that could result in minor to medium injury.
- **WARNING** indicates a situation that could result in severe injury or death.
- **DANGER** indicates a situation that will result in severe injury or death.

### Important information

|   |  |
|---|--|
|  | <p>This symbol indicates important information where there is no risk to people or property.</p> |
|---|--|

### Additional symbols

| Symbol | Meaning   |
|--------|---|
| 1.     | a numbered step in an action sequence                                       |
| ▶      | a step in an action sequence  |
| →      | a reference to a related part in the document or to other related documents |
| ①      | a reference number to identify or refer to a part or item                   |
| .      | a list entry  |
| -      | a list entry (second level)   |

Table 1 Symbols

### Examples of additional symbols used

#### A numbered step in an action sequence

A sequence of numbered steps or actions carried out in a specific order to complete a task.

1. First action
2. Second action
3. Third action
- etc.

#### A step in an action sequence

A sequence of defined actions or steps carried out in order to complete a task.

- ▶ Action
- ▶ Next action
- ▶ etc

#### A reference to a related part in the document or to other related documents.

To refer the reader to a specific figure/table/section within the manual.

→ e.g. figure 1.

#### A reference number to identify or refer to a part or item.

In a related figure, items or parts identified by a sequential number.

### List entries, first and second levels

- A single component/item
- A component/list, made up of multiple parts/items.
  - Sub component or sublist of main component/list.
  - etc.

### Abbreviations used in this manual

|        |   |
|--------|---|
| ∅      | Diameter  |
| CH     | Central Heating   |
| DHW    | Domestic Hot Water  |
| DCW    | Domestic Cold water   |
| TRV    | Thermostatic Radiator Valve                                 |
| IP     | Ingress Protection  |
| CF     | Conventional Flue   |
| RS     | Room sealed   |
| N/A    | Not Allowed   |
| SEDBUK | Seasonal Efficiency of Domestic Boilers in the UK           |
| OFTEC  | Oil Firing Technical Association for the Petroleum Industry |
| WRAS   | Water Regulations Advisory Scheme                           |
| IET    | Institute of Engineering and Technology                     |
| LABC   | Local Authority Building Control Body                       |
| DWTA   | Domestic Water Treatment Association                        |

### Read these instructions before starting any installation

These instructions are applicable to the Worcester appliance model(s) stated on the front cover of this manual only and must not be used with any other make or model of appliance.

The instructions apply in the UK and Eire only and must be followed except for any statutory obligation.

This appliance must be installed by a competent person, failure to install correctly could lead to prosecution.

## 1.2 General safety instructions

These installation instructions are intended for heating engineers, plumbers, and electricians.

- ▶ Read any installation instructions (boiler, heating controls, etc.) carefully before starting the installation.
- ▶ Observe the safety instructions and warnings.
- ▶ Observe national and regional regulations, technical rules and guidelines.
- ▶ Record all work carried out.

### Oil fumes or leaks from the appliance

If you smell oil fumes, observe the following rules.

- ▶ Extinguish any naked flames
- ▶ Isolate the electrical supply
- ▶ Isolate the fuel supply to the boiler
- ▶ Open windows and doors
- ▶ Rectify the fault

### Health and safety

The appliance contains no asbestos and no substances have been used in the construction process that contravene the COSHH Regulations (Control of Substances Hazardous to Health Regulations 1988). Where applicable, the CE mark indicates compliance with relative EU Directives.

### Combustible and corrosive materials

Do not store or use any combustible materials (paper, thinners, paints etc.) inside or within the vicinity of the appliance.

The combustion air must be kept clear of chemically aggressive substances which can corrode the appliance and invalidate any warranty.

### Handling instructions and guidelines

It is advised that more than one person is involved in the transfer of the packaged appliance from the van to the point of installation.

It is advised that no attempt should be made to move the packaged appliance without the use of a suitable truck.

At all times the correct method for handling heavy objects should be strictly observed.

- ▶ Lift only a manageable weight, or ask for help.
- ▶ When lifting, bend the knees, and keep the back straight and feet apart.
- ▶ Do not lift and twist at the same time.
- ▶ Lift and carry items close to the body.
- ▶ Wear protective clothing and gloves to protect from any sharp edges.

### Intended use

This boiler must only be used as a heat appliance in a heating system for domestic purposes.

Any other use is considered inappropriate. Any damage that results from such use is excluded from liability.

### Appliance operation

This appliance can be used by children aged from 8 years and above and persons with reduced physical, sensory or mental capabilities or lack of experience and knowledge, if they have been given supervision or instruction concerning the use of the appliance, in a safe way, and understand the hazards involved.

Children shall not play with the appliance.

Cleaning and user maintenance shall not be made by children without supervision.

### Installation, commissioning and servicing

Installation, commissioning and servicing must only be carried out by a competent registered engineer.

- ▶ Only use original spares.
- ▶ Advise the user to have the system regularly serviced by a competent, qualified engineer (such as OFTEC registered personnel) using approved spares, to help maintain the economy, safety and reliability of the appliance.

### Fitting and Modification

Fitting the appliance and any controls to the appliance may only be carried out by a competent engineer in accordance with these instructions and the relevant Installation Regulations.

Flue systems must not be modified in any way other than as described in the fitting instructions.

Any misuse or unauthorised modifications to the appliance, flue or associated components and systems could invalidate the warranty. The manufacturer accepts no liability arising from any such actions, excluding statutory rights.

### Electrical work

Electrical work must only be carried out by a qualified electrician.

- ▶ Before starting electrical work:
  - Isolate the mains electrical supply and secure against unintentional re-connection.
  - Check for zero potential.
- ▶ Also observe connection diagrams of other system components.

### Handover to the user

When handing over, instruct the user how to operate the heating system and inform him about its operating conditions.

- ▶ Explain how to operate the heating system and draw the user's attention to any safety-relevant action.
- ▶ Explain that modifications and repairs must only be carried out by an authorised contractor.
- ▶ Advise the user to have the system serviced annually by a competent, OFTEC registered engineer.
- ▶ Leave the installation instructions with the completed commissioning form and the operating instructions with the user or at the gas meter.



## 2 Installation regulations

### 2.1 Complying with the building regulations

This heating appliance forms part of the controlled services for the building. It is law that all controlled services for buildings must comply with building regulations. You must be able to satisfy your Local Authority Building Control Body (LABC) that the work carried out concerning the installation and commissioning of this heating appliance has been carried out to a satisfactory standard.

OFTEC operate a competent persons scheme and registered installers are able to certify that their work complies with building regulations. Under the scheme;

- OFTEC must be informed about every installation.
- OFTEC will issue a building regulations compliance certificate to the householder and will notify the LABC.

OFTEC provide controlled document forms CD10 and CD11 for use during installation and commissioning respectively.

Other organisations operate self-certification schemes e.g. NAPIT and BESCA Ltd. and it may be possible for installers who are members of these organisations to self certify their work.

Alternatively you must submit a building control notice to the LABC before installing any boiler. The LABC will then arrange regular inspection visits during the work to ensure that the installation complies with the regulations.

#### Installation

Failure to install appliances correctly could lead to prosecution.

The appliance should be installed by a competent person. The person installing the appliance should be aware of the Health and Safety at Work Act and take appropriate action to ensure that the regulations are adhered to. In order to give optimum efficiency and trouble free operation the appliance must be commissioned by a qualified OFTEC engineer.

The compliance with a British Standard does not, in itself, confer immunity from legal obligations. In particular the installation of this appliance must be in accordance with the relevant requirements of the following British Standards and regulations in respect of the safe installation of equipment:

- BS 5410: part 1: Code of practice for Oil Fired Boilers.
- BS 799: part 5: Specification for Oil Storage Tanks.
- BS 7593: Code of Practice for treatment of water in domestic hot water central heating systems.
- BS 5449: part 1: Specification for forced circulation hot water central heating for domestic premises.
- BS 5955: part 8: Specification for the installation of thermoplastic pipes and associated fittings for use in domestic hot and cold water services and heating systems.
- BS 7291: Thermoplastic pipes and associated fittings for hot and cold water for domestic purposes and heating installations in buildings.
- BS 7074: part 1: Application, selection and installation of expansion vessels and ancillary equipment for sealed water systems.
- BS 1254-2: Copper and copper alloys plumbing fittings part 2: Fittings with compression ends for use with copper tubes.
- BS 7671: IET Wiring Regulations, current edition.
- BS 1362: Specification for general purpose fuse links for domestic and similar purposes.

The Building Regulations Part G, Part J and L1 England and Wales; Part F, Part G and Part J Section III Scotland; Part L and Part F Northern Ireland.

Local water company bye-laws.

The Control of Pollution (Oil) Regulations.

OFTEC Standards.

Where no specific instruction is given, reference should be made to the relevant codes of practice.

#### Installations in Eire (Republic of Ireland)

The Installation must be performed by a competent and suitably trained person in accordance with the following Eire regulations.

Current Building Regulations - Republic of Ireland

ETCI rules for electrical installation

#### For further guidance see:

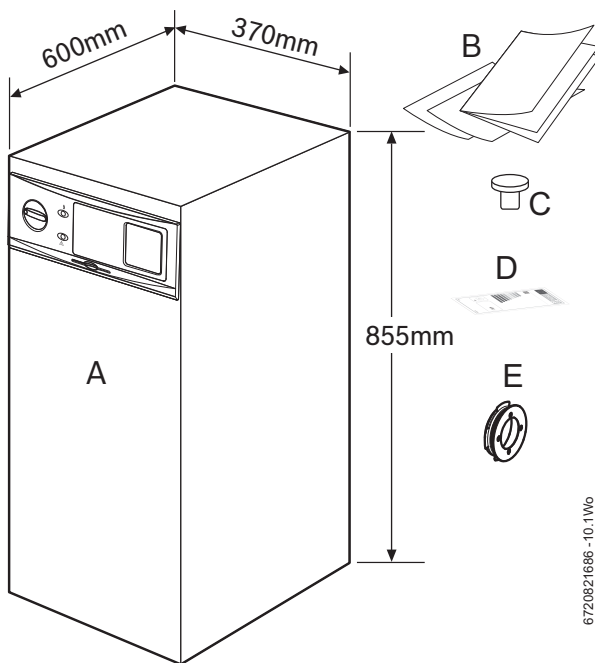
OFTEC Technical book three - Regional requirements: Republic of Ireland

### 3 Appliance information

#### 3.1 General information

##### Standard package:

- A - Floor standing oil fired condensing boiler
- B - Literature pack:
  - Greenstar Danesmoor Installation, Commissioning and Servicing instruction manual
  - User Instructions
  - Fascia information card
  - Guarantee registration card
- C - BSP plug, one inch (Regular only)
- D - ErP label
- E - Flue damper



6720821686-10.1Wg

#### 3.2 Technical data

| Description   | Units             | 12/18 | 18/25 | 25/32 |
|---|-------------------|-------|-------|-------|
| <b>Central heating</b>  |                   |       |       |       |
| Central heat output (max)   | kW                | 18    | 25    | 32    |
| Primary water capacity (total)  | litres            | 20    | 21    | 22    |
| Max. static head (Regular only)   | metres            | 30    | 30    | 30    |
| Min. static head (Regular only)   | metres            | 1     | 1     | 1     |
| Water side resistance (20°C difference)   | mbar              | 20    | 30    | 56    |
| Maximum available pump head (20°C difference) System only                               | mH <sub>2</sub> O | 5.2   | 4.3   | 4.1   |
| Maximum permissible sealed system operating pressure in accordance with WRAS guidelines | bar               | 2.5   | 2.5   | 2.5   |
| <b>Flue</b>   |                   |       |       |       |
| Exit flue gas mass flow   | kg/hr             | 29    | 40    | 51    |
| <b>Pipework connections</b>   |                   |       |       |       |
| Fuel line (compression)   | mm                | 10    | 10    | 10    |
| Flow Kitchen  | BSP               | 1"    | 1"    | 1"    |
| Flow Kitchen System   | mm                | 22    | 22    | 28    |
| Kitchen flow and optional vent/air vent   | BSP               | 1"    | 1"    | 1"    |
| Return  | mm                | 22    | 22    | 28    |
| Condensate (Polypropylene)  | mm                | 21.5  | 21.5  | 21.5  |
| PRV outlet - System only  | mm                | 15    | 15    | 15    |
| <b>Electrical</b>   |                   |       |       |       |
| Electrical power supply voltage   | ac ..V            | 230   | 230   | 230   |
| Frequency   | Hz                | 50    | 50    | 50    |
| <b>Thermostats</b>  |                   |       |       |       |
| Boiler flow temperature range (cut in/cut out)  | °C                | 55/81 | 55/81 | 55/81 |
| Control thermostat differential   | °C                | 5     | 5     | 5     |
| Boiler high limit thermostat set point  | °C                | 95    | 95    | 95    |
| Boiler manual reset overheat thermostat set point                                       | °C                | 105   | 105   | 105   |
| Flue manual reset overheat thermostat set point   | °C                | 110   | 110   | 110   |
| <b>General data</b>   |                   |       |       |       |
| Maximum hearth temperature  | °C                | <100  | <100  | <100  |
| SEDBUK 2009   | %                 | 90.7  | 90.6  | 90.5  |
| SEDBUK 2005   | %                 | 93.0  | 92.9  | 92.7  |
| Appliance protection rating   | IP                | 20    | 20    | 20    |
| Weight (excluding packaging) Kitchen Regular  | kg                | 104   | 108   | 114   |
| Weight (excluding packaging) Kitchen System   | kg                | 111   | 112   | 121   |

### 3.3 Energy efficiency

The following product data satisfy the requirements of the EU Regulations No. 811/2013 and No. 812/2013 supplementing Directive 2010/30/EU.

| Product data  | Symbol             | Unit   | 7731600159                                      | 7731600161                                      | 7731600163                                      | 7731600160                                     | 7731600162                                     | 7731600164                                     |
|---|--------------------|--------|---|---|---|--|--|--|
| Product type  | –                  | –      | Danesmoor Kitchen Regular <sup>ErP+</sup> 12/18 | Danesmoor Kitchen Regular <sup>ErP+</sup> 18/25 | Danesmoor Kitchen Regular <sup>ErP+</sup> 25/32 | Danesmoor Kitchen System <sup>ErP+</sup> 12/18 | Danesmoor Kitchen System <sup>ErP+</sup> 18/25 | Danesmoor Kitchen System <sup>ErP+</sup> 25/32 |
| Condensing boiler   | –                  | –      | Yes   | Yes   | Yes   | Yes  | Yes  | Yes  |
| Low temperature boiler  | –                  | –      | No  | No  | No  | No   | No   | No   |
| B1 boiler   | –                  | –      | No  | No  | No  | No   | No   | No   |
| Cogeneration space heater (CHP)                                       | –                  | –      | No  | No  | No  | No   | No   | No   |
| Combination heater  | –                  | –      | No  | No  | No  | No   | No   | No   |
| Rated heat output   | $P_{\text{rated}}$ | kW     | 18  | 25  | 32  | 18   | 25   | 32   |
| Seasonal space heating energy efficiency                              | $\eta_s$           | %      | 90  | 90  | 91  | 90   | 90   | 91   |
| Energy efficiency class   | –                  | –      | A   | A   | A   | A  | A  | A  |
| <b>Useful heat output</b>   |                    |        |   |   |   |  |  |  |
| At rated heat output and high temperature regime <sup>1)</sup>        | $P_4$              | kW     | 18.2  | 25.6  | 32.2  | 18.2   | 25.6   | 32.2   |
| At 30 % of rated heat output and low temperature regime <sup>2)</sup> | $P_1$              | kW     | 5.7   | 8.0   | 10.1  | 5.7  | 8.0  | 10.1   |
| <b>Useful efficiency</b>  |                    |        |   |   |   |  |  |  |
| At rated heat output and high temperature regime <sup>1)</sup>        | $\eta_4$           | %      | 92.6  | 92.5  | 92.4  | 92.6   | 92.5   | 92.4   |
| At 30 % of rated heat output and low temperature regime <sup>2)</sup> | $\eta_1$           | %      | 96.8  | 96.5  | 96.3  | 96.8   | 96.5   | 96.3   |
| <b>Auxiliary electricity consumption</b>                              |                    |        |   |   |   |  |  |  |
| At full load  | $e_{\text{max}}$   | kW     | 0.158   | 0.152   | 0.147   | 0.158  | 0.152  | 0.147  |
| At part load  | $e_{\text{min}}$   | kW     | 0.055   | 0.054   | 0.050   | 0.055  | 0.054  | 0.050  |
| In standby mode   | $P_{\text{SB}}$    | kW     | 0   | 0   | 0   | 0  | 0  | 0  |
| <b>Other items</b>  |                    |        |   |   |   |  |  |  |
| Standby heat loss   | $P_{\text{stby}}$  | kW     | 0.174   | 0.121   | 0.171   | 0.174  | 0.121  | 0.171  |
| Ignition burner power consumption                                     | $P_{\text{ign}}$   | kW     | -   | -   | -   | -  | -  | -  |
| Emissions of nitrogen oxides  | NOx                | mg/kWh | 110   | 103   | 109   | 110  | 103  | 109  |
| Annual energy consumption   | $Q_{\text{HE}}$    | kWh    | -   | -   | -   | -  | -  | -  |
| Sound power level, indoors  | $L_{\text{WA}}$    | dB(A)  | 57  | 56  | 54  | 55   | 56   | 55   |

Table 2 Product data for energy consumption

- 1) High-temperature regime means 60 °C return temperature at heater inlet and 80 °C feed temperature at heater outlet.
- 2) Low temperature means for condensing boilers 30 °C, for low-temperature boilers 37 °C and for other heaters 50 °C return temperature (at heater inlet).

3.4 Layout and components - 18/25 System appliance shown

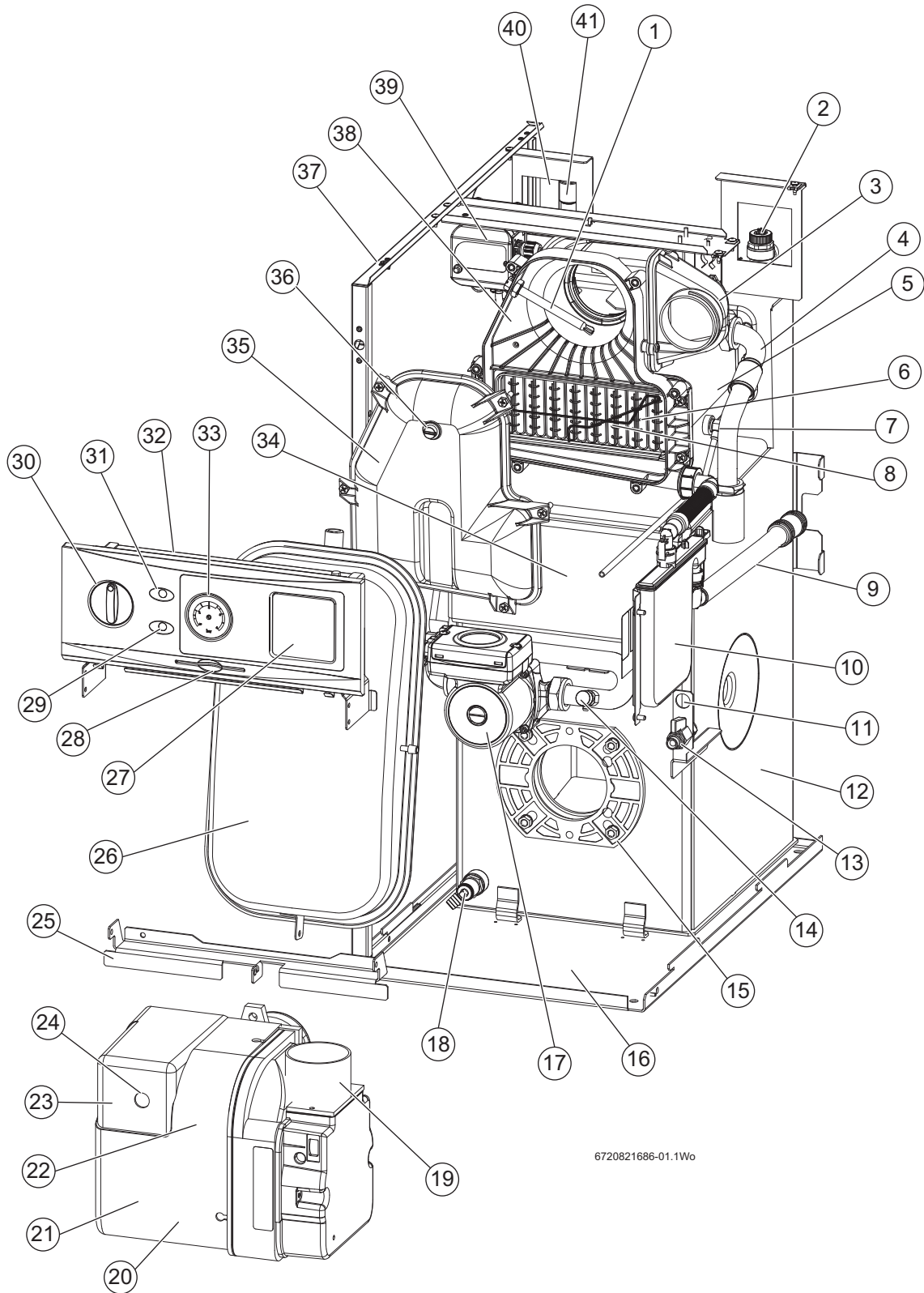


Fig. 1 System appliance shown

| Figure 1 does not include the top, front, and right hand side panel. |  |    |  |
|--|--|----|--|
| 1  | Flue overhear thermostat phial                                 | 25 | Expansion vessel bracket                               |
| 2  | Pressure relief valve  | 26 | Expansion vessel                                       |
| 3  | Air inlet casing   | 27 | Location of optional programmer                        |
| 4  | Heat exchanger flow pipe                                       | 28 | Quick reference guide slot                             |
| 5  | Secondary heat exchanger                                       | 29 | Lock out indicator                                     |
| 6  | Secondary heat exchanger baffles                               | 30 | Temperature control knob                               |
| 7  | Secondary heat exchange drain point                            | 31 | Demand indicator                                       |
| 8  | Baffle retaining clip  | 32 | Control box assembly                                   |
| 9  | Condensate discharge   | 33 | System pressure gauge                                  |
| 10   | Condensate trap  | 34 | Combustion chamber access door (primary baffle inside) |
| 11   | Optional oil return position                                   | 35 | Flue manifold access cover                             |
| 12   | Primary heat exchanger   | 36 | Flue gas sampling point                                |
| 13   | Oil isolating valve  | 37 | Casing side panel                                      |
| 14   | Pump drain point   | 38 | Flue manifold  |
| 15   | Burner mounting plate  | 39 | Air pressure switch                                    |
| 16   | Base plate and oil drip tray                                   | 40 | Return connection                                      |
| 17   | Circulating pump   | 41 | Flow connection  |
| 18   | Primary heat exchanger drain point                             | 42 | Auto reset thermostat                                  |
| 19   | Burner air intake  | 43 | High limit thermostat reset                            |
| 20   | Burner motor (behind plastic cover)                            | 44 | Expansion vessel retaining bracket                     |
| 21   | Oil pump (behind plastic cover)                                | 45 | Flue thermostat reset                                  |
| 22   | Burner control box (behind plastic cover)                      | 46 | Burner lead connector socket                           |
| 23   | Riello RDB burner  | 47 | Control & manual reset overhear thermostat phial       |
| 24   | Lock out reset button (on the front of the burner control box) | 48 | Auto-reset high-limit thermostat phial                 |

Table 3 Appliance component details

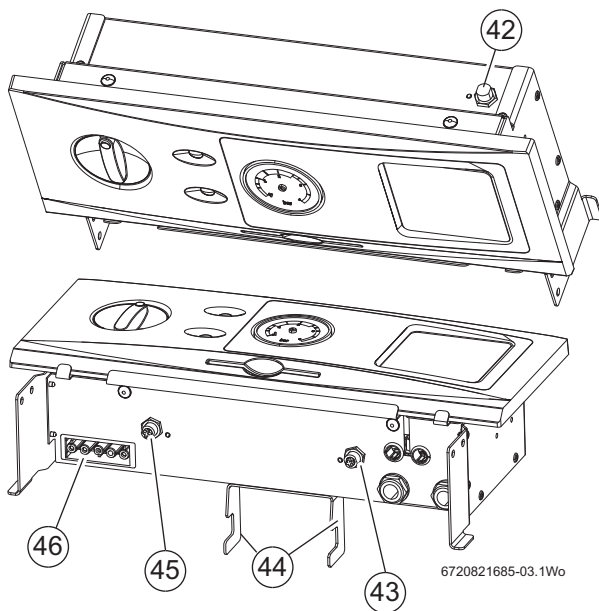


Fig. 2 Control panel thermostat detail

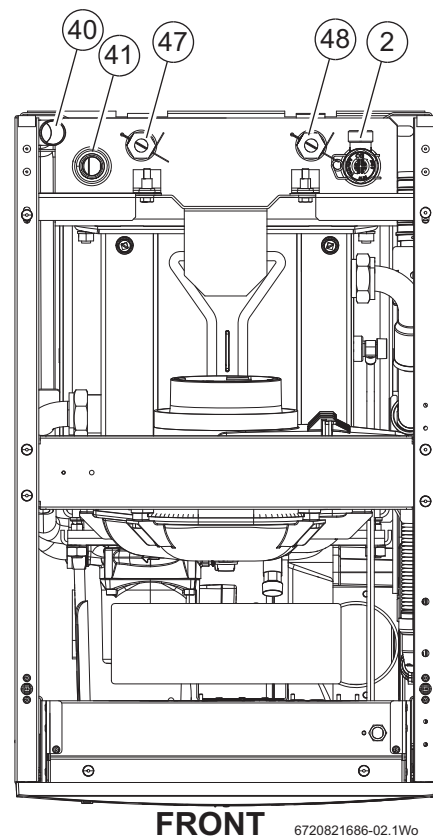


Fig. 3 Top view connections

3.5 Layout and components - 18/25 Regular appliance shown

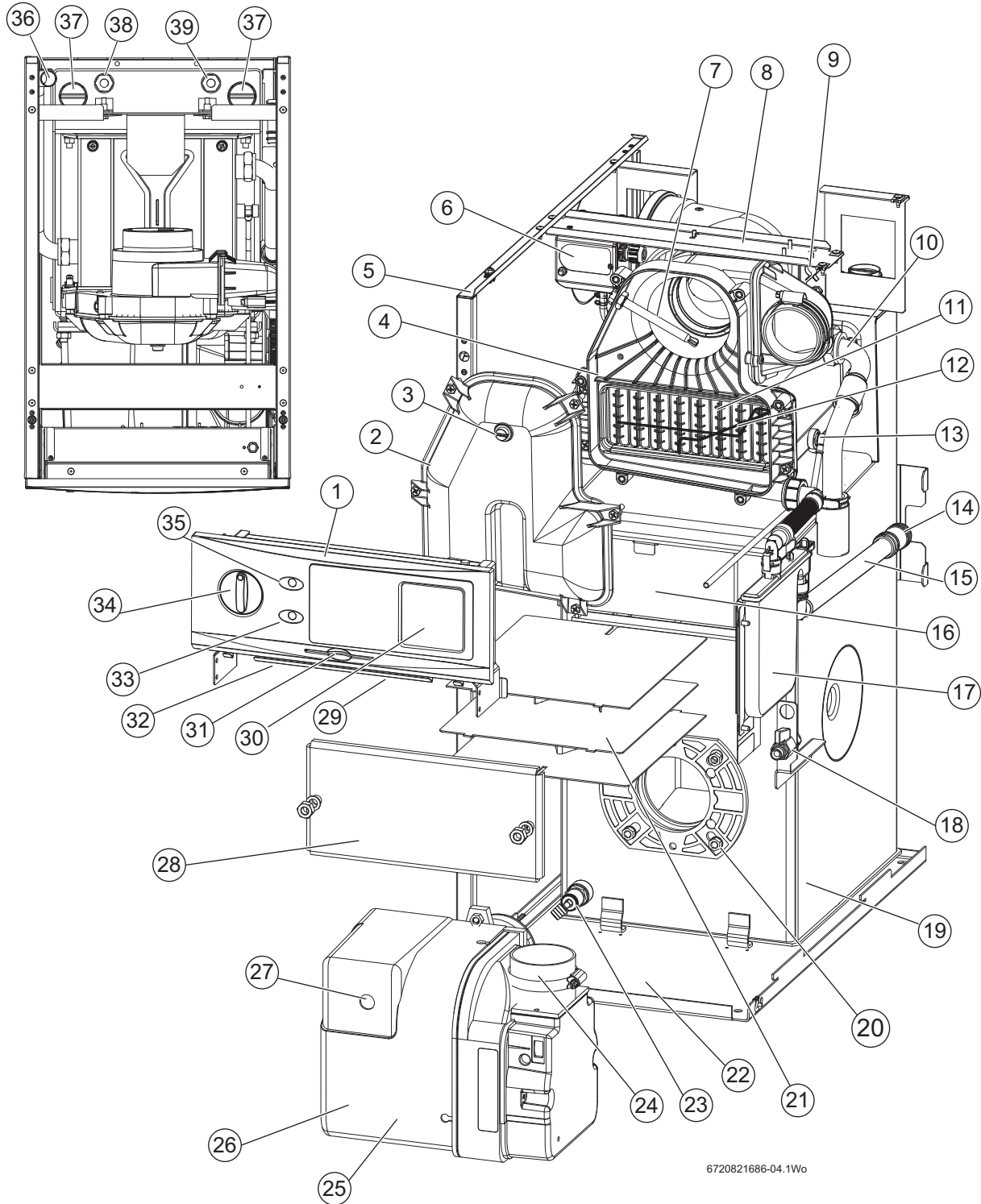


Fig. 4 18/25 Regular appliance shown

| <b>Figure 4 does not include the top, front, and right hand side panel.</b> |   |    |  |
|---|---|----|--|
| 1   | Control box assembly                      | 21 | One piece baffle arrangement                                       |
| 2   | Flue manifold access cover                | 22 | Base plate and oil drip tray                                       |
| 3   | Flue gas sampling point                   | 23 | Primary heat exchanger drain                                       |
| 4   | Secondary heat exchanger                  | 24 | Burner air intake - connected by flexible duct to air inlet casing |
| 5   | Casing side panel                         | 25 | Burner motor - behind plastic cover                                |
| 6   | Air pressure switch                       | 26 | Oil pump - behind plastic cover                                    |
| 7   | Flue overheat thermostat phial            | 27 | Lockout reset button (on front of burner control box)              |
| 8   | Boiler cross brace                        | 28 | Combustion chamber access door                                     |
| 9   | Fire valve sensor clip                    | 29 | Boiler overheat reset button                                       |
| 10  | Heat exchanger flow pipe                  | 30 | Optional digital programmer location                               |
| 11  | Secondary heat exchanger baffles          | 31 | Quick reference guide slot   |
| 12  | Baffle retaining clip                     | 32 | Flue overheat reset button   |
| 13  | Secondary heat exchanger drain            | 33 | Lock out indicator   |
| 14  | Flexible condensate drain pipe connection | 34 | Temperature control knob   |
| 15  | Condensate drain pipe                     | 35 | Demand indicator   |
| 16  | Combustion chamber                        | 36 | Boiler return pipe   |
| 17  | Condensate trap                           | 37 | Flow/Optional Combined Feed and Vent                               |
| 18  | Oil isolating valve                       | 38 | Control & manual reset overheat thermostat phial                   |
| 19  | Primary heat exchanger                    | 39 | Auto-reset high-limit thermostat phial                             |
| 20  | Burner mounting plate                     |    |  |



## 4 Pre-Installation

### 4.1 Cleaning primary systems



**DANGER:** Danger to life through electric shock!

- ▶ Before carrying out any work on electrical components, isolate them from the power supply (230 V AC) (fuse, circuit breaker) and secure against unintentional reconnection.



**NOTICE:** Risk of damage to appliance or accessories!

- ▶ All the following pre-installation sections must be read and requirements met before starting the appliance or flue installations.



**NOTICE:** Risk of damage to system or appliance!

Debris from the system can damage the appliance and reduce efficiency. Failure to comply with the guidelines for the use of water treatment with the appliance will invalidate the appliance guarantee and contravene the Building Regulations.

- ▶ It is a requirement of the Building Services Compliance Guide which is a second tier document to the Building Regulations to flush and inhibit the primary water system in accordance with BS 7593.
- ▶ It is recommended that you fit a primary water cleanser to the system. Worcester recommends fitting a filter that will help remove both magnetite and non-magnetic debris.

#### 4.1.1 Before cleaning the system:

- ▶ Ensure that the system and pipe work is in good working order.
- ▶ **Where possible keep the existing appliance/circulating pump in place when flushing the system.**

#### Follow the guidance of BS7593:

Treatment of water in domestic hot water central heating and also the flushing guidelines below.

#### 4.1.2 Flushing the system

- ▶ Fill the system with cold water and check for leaks.
- ▶ Open vented systems only:
  - Turn off the water to the system header tank.
- ▶ Open all drain cocks and drain the system.
  - See figure 5 for appliance drain points.
- ▶ Close drain cocks and add a suitable flushing agent at the correct strength for the system conditions in accordance with the manufacturer's instructions.
- ▶ Circulate the flushing agent before the boiler is fired up.
- ▶ Run the boiler/system at normal operating temperature as directed by the manufacturer of the flushing agent.
- ▶ Drain and thoroughly flush the system to remove the flushing agent and debris.
- ▶ It may be necessary to use a power flushing machine to aid the cleansing procedure in some circumstances.
- ▶ Close the drain cocks and manual air vents.
- ▶ Add a suitable inhibitor to the system in accordance with the manufacturer's instructions.
- ▶ Open vented systems only:
  - Turn on the water to the system header tank and allow the system to fill.
- ▶ Sealed systems only:
  - Fill the system to between 1 and 1.5 bar via a WRAS approved filling loop.
- ▶ Vent any air from the boiler and system.
  - See figure 6 for appliance manual vent points.

#### 4.1.3 Appliance drain points

- ▶ The appliance can be drained via the primary heat exchanger point [3]:
  - There is an additional drain point on the secondary heat exchanger [1].

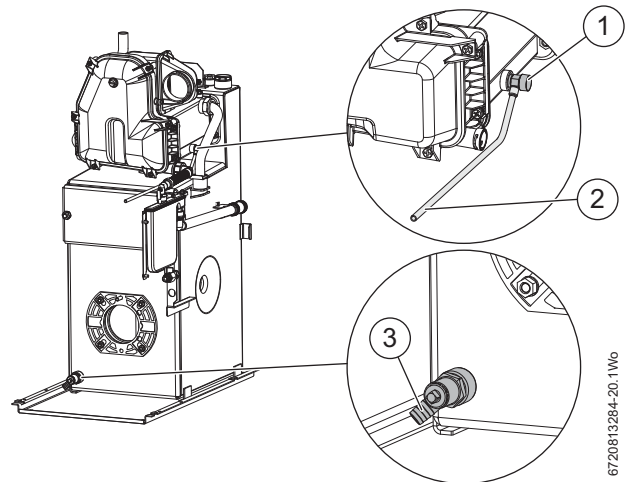


Fig. 5 Appliance drain points

- [1] Secondary heat exchanger drain point.
- [2] Secondary heat exchanger drain hose.
- [3] Primary heat exchanger drain point.

#### 4.1.4 Appliance vent points

There are two vent points at the top of the secondary heat exchanger. Only one may be in use, the other may be obscured by side fluing.

- ▶ Use a radiator key or suitable screwdriver to open the vent point.

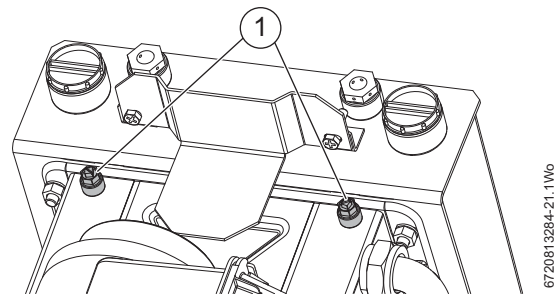


Fig. 6 Manual vent points

- [1] Manual vent points (each side of the secondary heat exchanger).

#### 4.1.5 Inhibitor

Add a suitable inhibitor or combined inhibitor/anti-freeze, if the system is exposed to freezing conditions, to the heating system in accordance with the DWT code of practice and manufacturer's guidelines.



The inhibitor or combined inhibitor/anti-freeze must not cause damage to the materials within the boiler (mild steel, stainless steel, copper and brass) and any other materials/components within the system.

- ▶ The concentration level of inhibitor in the system should be checked every 12 months or sooner if system content is lost.



**WARNING:** Sealing agents

- ▶ In cases where all attempts to find a system micro leak have failed, Worcester, Bosch Group supports the use of Fernox F4 leak sealer.

**Water treatment products**


Suitable water treatment products can be obtain from the following manufacturers:

|          |   |
|----------|---|
| ADEY     | 01242 546717<br>www.adey.com                |
| FERNOX   | 0870 601 5000<br>www.fernox.com             |
| SENTINEL | 0800 389 4670<br>www.sentinel-solutions.net |

**4.1.6 Artificially softened water**

It is possible to have an ion exchange water softener fitted to the cold water system of the property. However, the boiler requires an untreated cold water connection taken from the mains supply, before the water softener, to the primary water filling point of the heating system.

Alternatively there are water softening/treatment devices that do not adjust or alter the pH levels of the water. With these devices it may not be necessary to provide an untreated water by-pass to the primary water filling point of the heat system.




**NOTICE:**  
▶ Salt based softened water must not be used to fill the central heating system.

**4.2 Mains supply**

**4.2.1 Electrical supply**

- Supply: 230V - 50 Hz
- Cable: PVC insulated 0.75 mm<sup>2</sup> (24 x 0.2mm) temperature rated to 90°C.
- External 5A fuse to BS1362.
- The appliance must be earthed.
- This appliance must not be connected to a three phase supply.
- Wiring must comply with the latest IET wiring regulations.
- It must be possible to isolate the appliance from the electrical supply with at least a 3mm contact separation in both poles supplying the appliance.
- Wiring between the appliance and the electrical supply must comply with IET wiring regulations and any local regulations that may apply for fixed wiring to a stationary appliance.
- Any additional components that are connected to the boiler with mains electrical supply must not have a separate supply.

**4.3 Oil supply**



**NOTICE:** Contaminated oil supplies can damage the appliance.  
Failure to ensure that the oil supply is clear of contaminants may invalidate the appliance warranty.  
▶ Ensure the oil supply is free of contaminates and measures are taken to prevent contamination of the appliance.

- **This appliance is suitable for Kerosene (28 second oil) only, no other fuel must be used.**
- Plastic or steel tanks should be installed to BS 5410.  
A steel tank should conform to BS 799: part 5 and have a slope of 1:24 away from the outlet with a sludge cock at the lower end.
- **Do not use galvanised steel tanks or pipework for the oil system.**
- **Do not use soldered joints on the oil supply pipework.**

| Key to Oil supply illustrations, figures 7, 8 & 9 |                                       |
|---|---------------------------------------|
| 1   | Oil storage tank                      |
| 2   | Full base (plastic tank)              |
| 3   | Isolating valve                       |
| 4   | Oil strainer and water separator      |
| 5   | Fire valve to BS 5410                 |
| 6   | External wall                         |
| 7   | Oil filter (70µm max filtration size) |
| 8   | Fire valve sensor                     |
| 9   | Oil pump                              |
| 10  | Oil burner                            |
| 11  | Non-return valve                      |
| 12  | De-aerator                            |
| 13  | Appliance isolation valves            |

Table 4 Key to oil supply feed system

**4.3.1 Single pipe gravity feed system:**

The oil storage tank [1] must be positioned so that the oil level does not exceed 4 metres above the level of the burner oil pump [9] and in addition the oil level must be at least 300mm above the oil pump [9]. Where the maximum oil level in the oil storage tank exceeds 4 metres, a head breaking device must be installed between the tank [1] and the burner oil pump [9].

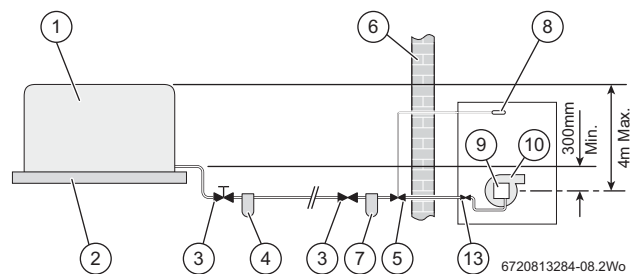



Fig. 7 Single pipe feed



All dimensions are in metres unless otherwise stated. The maximum pipe run figures are based on using copper pipe with an inside diameter of 2mm less than the outside diameter.

**Maximum pipe run for single pipe gravity fed system**

| Head (m) | 10mmØ | 12mmØ | Head (m) | 10mmØ | 12mmØ |
|----------|-------|-------|----------|-------|-------|
| 0.5      | 12    | 30    | 2.5      | 62    | 100   |
| 1.0      | 25    | 69    | 3.0      | 74    | 100   |
| 1.5      | 37    | 91    | 3.5      | 87    | 100   |
| 2.0      | 49    | 100   | 4.0      | 99    | 100   |

**4.3.2 Double pipe sub-gravity feed system:**

Maximum suction height 3.5 metres. Non-return valves must be fitted to the inlet and return oil line between the oil pump [9] and oil storage tank [1].

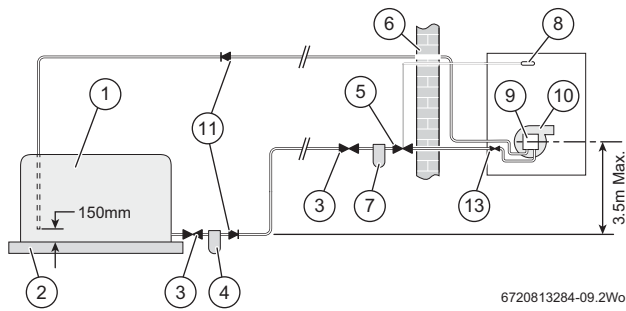


Fig. 8 Double pipe feed

**Maximum pipe run for double pipe sub-gravity fed system**

| Head (m) | 10mmØ | 12mmØ | Head (m) | 10mmØ | 12mmØ |
|----------|-------|-------|----------|-------|-------|
| 0        | 50    | 100   | 2.0      | 26    | 66    |
| 0.5      | 44    | 100   | 2.5      | 20    | 50    |
| 1.0      | 38    | 95    | 3.0      | 14    | 37    |
| 1.5      | 32    | 80    | 3.5      | 8     | 22    |

**4.3.3 Single pipe suction lift with de-aerator:**

Maximum suction height 3.5 metres. The oil tank [1] must be positioned below the oil pump [9]. Create an inlet and return loop between the de-aerator [12] and oil pump [9].

A non-return valve must be incorporated within the de-aerator or fitted to the oil line between the oil storage tank [1] and the de-aerator [12].

A top feed oil tank fitted with a de-aerator using an internal non-return valve should have any non-return valves fitted in the base of the tank to the suction line removed to assist purging air from the oil line.

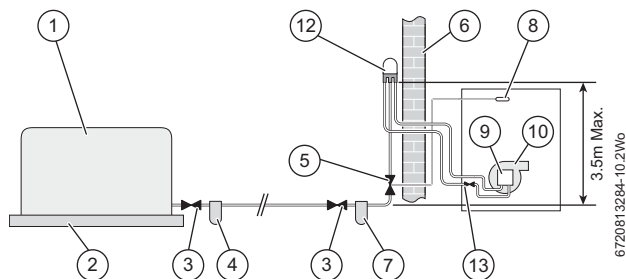


Fig. 9 De-aerator feed

**Maximum pipe run for single pipe suction lift with de-aerator**

| Head (m) | FUEL FLOW RATE  |               |                |                 |
|----------|-----------------|---------------|----------------|-----------------|
|          | 2.5kg/h<br>8mmØ | 5kg/h<br>8mmØ | 10kg/h<br>8mmØ | 10kg/h<br>10mmØ |
| 0        | 100             | 55            | 26             | 100             |
| 0.5      | 95              | 45            | 23             | 100             |
| 1.0      | 80              | 40            | 20             | 90              |
| 1.5      | 70              | 35            | 17             | 75              |
| 2.0      | 60              | 30            | 14             | 65              |
| 2.5      | 45              | 25            | 11             | 50              |
| 3.0      | 35              | 15            | 8              | 35              |
| 3.5      | 25              | 10            | 5              | 20              |



The table and illustration above is a guide only and does not in any way override the de-aerator manufacturer's instructions

**4.3.4 Pipework**

- ▶ Refer to the oil supply sections Single pipe gravity feed system: 4.3.1, Double pipe sub-gravity feed system: 4.3.2 & Single pipe suction lift with de-aerator: 4.3.3 for oil supply pipework configurations.

Oil supply pipework considerations:

- Lay the oil supply pipe as straight and level as possible to avoid air pockets and unnecessary friction losses.
  - Route away from the boiler access door or other hot surfaces.
- Install a manual isolating valve to the oil supply pipe, as close to the oil storage tank as possible.
- Fit an oil strainer and water separator to the oil supply pipe, near the oil storage tank.
  - Fit an additional oil filter (70 µm max filtration size) close to the boiler, but not inside the boiler casing.
- Fit a fire valve in accordance with BS 5410.
  - The fire valve should be fitted externally to the building with the fire valve sensor located within the appliance case.
  - A fire valve with a shut off temperature of 85°C or higher must be fitted to avoid the possibility of nuisance shut offs.
  - A capillary type valve provides a neat and simple installation. Alternatively, a fusible link or electrical system may be used.
- Under no circumstances should a combination isolating/fire valve be used as the sole fire protection device.

**4.3.5 Boiler isolation valve**

- ▶ Use copper pipe of the correct diameter according to the information shown in oil supply sections 4.3.1, 4.3.2 & 4.3.3.
  - If using soft copper pipe (R220) with a compression fitting, an insert must be used to prevent the pipe from collapsing or distorting when the fitting is tightened.
- ▶ Slide nut [1] and olive [5] onto the oil supply pipe [4].
- ▶ Slide insert [3] into the pipe.
- ▶ Offer the pipe to the fitting [2] and tighten the nut [1].

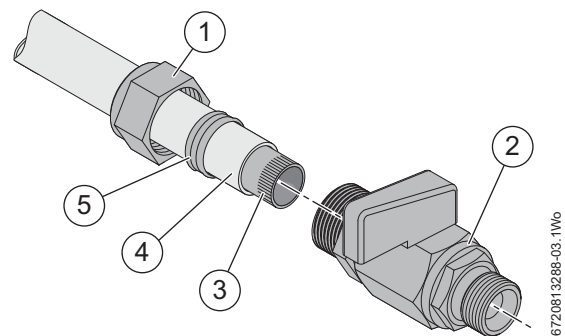


Fig. 10 Isolation valve bracket removed for clarity

- ▶ Use flexible hoses to connect from the boiler isolation valve/s to the oil pump.

#### 4.4 Water systems and pipework

**NOTICE:**

▶ The boiler should not be allowed to operate with a return temperature of less than 30°C when the system is up to operating temperature.

##### Primary system plastic pipework:

- Any plastic pipework used for the CH system must have a polymeric barrier, complying with BS 7921 and installed to BS 5955 with 1000mm (minimum) length of copper or steel pipe connected to the boiler.
- Plastic pipework used for underfloor heating must be correctly controlled with a thermostatic blending valve limiting the temperature of the circuits to approximately 50°C with 1000mm (minimum) length of copper or steel pipe connected to the boiler, and a 20K differential must be maintained at the appliance.

##### Primary system/connections/valves:

- Do not use galvanised pipes or radiators.
- All system connections, taps and mixing valves must be capable of sustaining a pressure of 3 bar.
- Radiator valves should conform to BS 2767:10.
- All other valves should conform to BS 1010.
- An automatic bypass valve must be connected between the heating flow and return where TRVs are used on all radiators, fitted to give at least a 3 metre circuit when activated.
- Drain cocks are required at all the lowest points on the system.
- Air vents are required at all high points on the system.

##### Open vent primary system (Regular only)

- The open vent pipe (F) and feed and expansion pipe (H) must rise continuously from the appliance.
- The feed and expansion cistern (E) must be positioned to provide a static head (S) of at least 1 metre above the highest point in the heating system to the water level in the feed and expansion cistern.
- Ensure adequate space is left in the expansion cistern for expansion of the system water.
- No valve shall be fitted in the open vent pipe (F) or the feed and expansion pipe (H).
- The open vent pipe (F) must be at least 22mmØ.

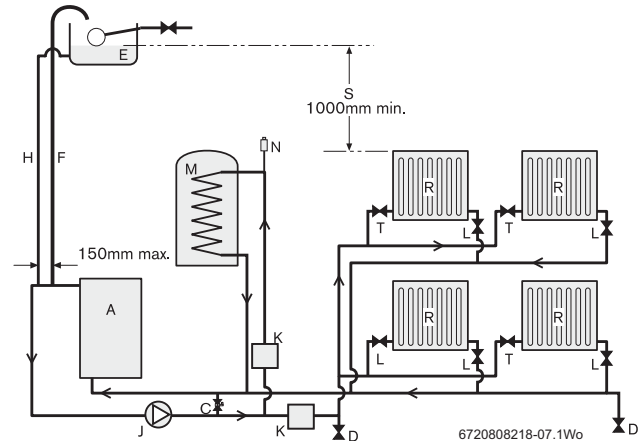


Fig. 11 Regular boiler, open vent layout

- [A] Regular appliance
- [A1] System appliance
- [B] Expansion vessel\*
- [C] Automatic bypass valve
- [D] Drain cock
- [E] Feed and expansion cistern
- [F] Open vent 22mmØ min.
- [G] Pressure gauge\*
- [H] Feed and expansion 15mmØ min.
- [J] Circulating pump\*
- [K] Zone valves
- [K1] Three port valve
- [L] Lockshield valve
- [M] Hot water cylinder
- [N] Automatic air vent
- [P] Pressure relief valve\*
- [P1] Pressure relief discharge\*
- [R] Radiators
- [T] Thermostatic radiator valve TRV
- [U] To filling system
- [NOTE] \* Components included in the System boiler

**Fully pumped sealed primary system:**

- A pressure relief valve (P), spring loaded safety valve set to operate at 3bar, must be fitted to the heating flow pipe as close as possible to the boiler or onto one of the boiler top 1” BSP outlets.
- An expansion vessel (B) must be fitted to the heating return pipe as close as possible to the boiler and pressurised for the system volume according to the instructions supplied with the vessel.
- A pressure gauge (G), 3 bar minimum, must be fitted to the heating flow pipe or one of the boiler 1” BSP outlets.
- An automatic air vent (N) must be fitted.

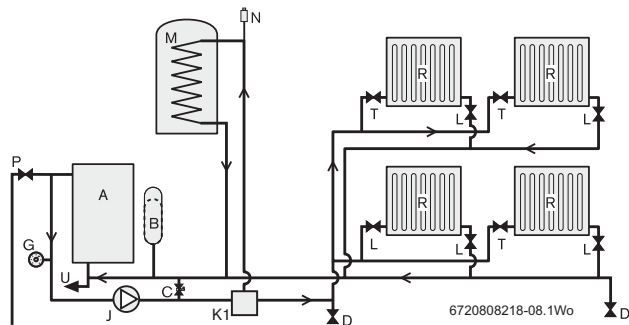


Fig. 12 Regular boiler system layout

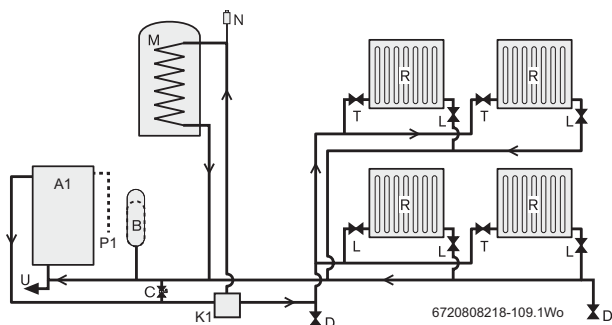


Fig. 13 System boiler system layout

**Filling primary sealed systems**

**NOTICE: FILLING THE SYSTEM**

- ▶ The system must not be filled with salt based softened water.

- Where the system volume is more than 180 litres at 0.5 bar or exceeds 2.65 bar at maximum heating temperature an extra expansion vessel (B) must be fitted as close as possible to the appliance in the central heating return.
- Pressurise the extra expansion vessel (B) to the same figure as the expansion vessel built into the appliance (system boilers).
- Filling the system must comply with one of the methods shown in the figure below.
- The filling point must be at low level and must never be a permanent connection to the mains water supply.
- Filling loops must be WRAS approved.

**SYSTEM FILL**

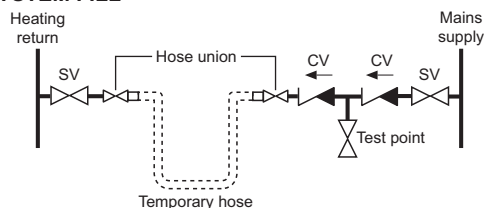


Fig. 14

- [SV] Stop valve
- [CV] Check valve

**4.5 Condensate discharge**

For correct installation and trouble free operation of the appliance the following advice should be followed:

1. All condensate pipework must ‘fall’ from the appliance by a minimum of 3 degrees (52mm per metre) to ensure adequate condensate flow.
2. The pipework route must allow air to be supplied back to the appliance for correct operation of the condensate trap.
3. Connection to a rainwater down pipe must include an air break.

Also:

- Keep external pipework as short as possible and not exceed 3 metres length.
- External pipework should be increased to a minimum diameter of 32mm and ideally be insulated.
- Minimise the number of bends and connectors.
- Remove burrs after cutting pipe.
- Remove surplus solvent from the interior of the pipe.

**4.5.1 Condensate pipe work**

Follow **HHIC** guidance and recommendations for condensate disposal

**NOTICE:**

- ▶ Where a new or replacement boiler is being installed, access to an internal “gravity discharge” point should be one of the factors considered in determining boiler location.
- ▶ The condensate pipe must be nominally 21.5mm Ø plastic pipe.
- ▶ The condensate pipe work must fall at least 52mm per metre towards the outlet and should take the shortest practicable route.
- ▶ Ensure there are no blockages in the pipe run.

**NOTICE: Unheated internal areas.**  
The condensate discharge may freeze in areas during prolonged cold temperatures.

- ▶ Internal pipe runs in unheated areas such as lofts, basements and garages should be treated as external runs.

| Key to condensate illustrations, figures 12, 13, 14 & 15 |  |
|--|--|
| 1  | Condensate discharge from boiler       |
| 2  | Soil and vent stack                    |
| 3  | Minimum 450mm and up to three storeys  |
| 4  | Visible air break at plug hole         |
| 5  | Sink or basin with integrated overflow |
| 6  | 75mm sink waste trap                   |
| 7  | Condensate pump                        |

Table 5 Key to Internal condensate disposal methods



**4.5.2 Internal connections**

In order to minimise risk of freezing during prolonged cold spells, the following methods of installing condensate drainage pipe should be adopted, in order of priority.

Wherever possible, the condensate drainage pipe should be routed and terminated so that the condensate drains away from the boiler under gravity to a suitable internal foul water discharge point such as an internal soil and vent stack. A suitable permanent connection to the foul waste pipe should be used.

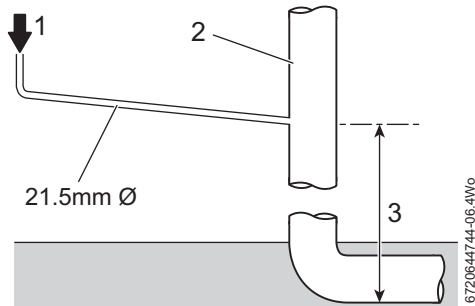


Fig. 15 Disposal to soil vent stack

Alternatively if the first option is not possible an internal kitchen, bathroom or washing machine waste pipe etc. can be used. Ensure that the condensate drain pipe is connected “down stream” of the waste trap.

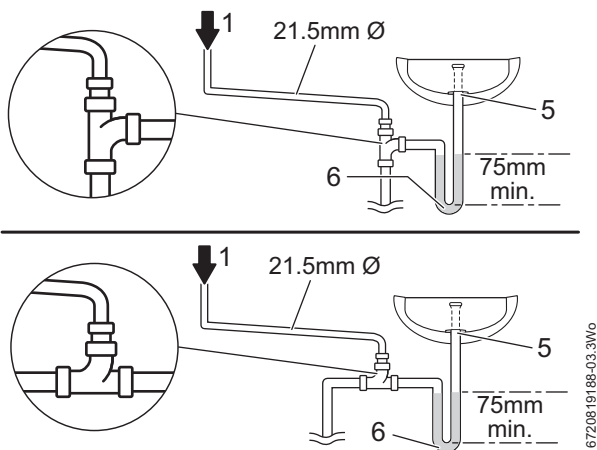


Fig. 16 Disposal to a waste pipe

**CONDENSATE PUMP**

Where “gravity discharge” to an internal termination is not physically possible, or where very long internal runs would be required to reach a suitable discharge point, condensate should be removed using a proprietary condensate pump, of a specification recommended by the boiler or condensate pump manufacturer.

The pump outlet pipe should discharge to a suitable internal foul water discharge point such as an internal soil and vent stack or if not possible to internal kitchen, bathroom or washing machine waste pipe etc. A suitable permanent connection to the foul waste pipe should be used.

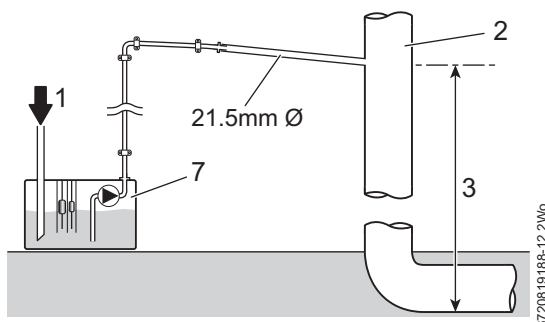


Fig. 17 Condensate pump disposal

**4.5.3 External connections**

**NOTICE:** Rainwater or external drain disposal  
Untreated condensate must not be allowed to flow into streams or rivers  
▶ A rainwater down pipe or an external drain shall only be used for condensate disposal if the down pipe or external drain is connected to a combined foul and rainwater system  
▶ Refer to BS 6798 for more information

**NOTICE:** Grey water systems  
Contamination of recovered water  
▶ Condensate disposal shall not be allowed into a grey water recovery system that is intended for re-use

**NOTICE:** Freezing conditions  
▶ Pipe work length should be kept to a minimum and the route as vertical as possible.  
▶ When required, use only weather proof insulation.

**NOTICE:** Condensate waste  
▶ Care should be taken when siting a soak-away to avoid obstructing existing services.

**Continued - Key to condensate illustrations, figures 13,14, 15 & 16**

|    |  |
|----|--|
| 8  | Pipe work transition   |
| 9  | Insulate and increase pipe size                                |
| 10 | External rain water pipe into foul water                       |
| 11 | External air break   |
| 12 | Air gap  |
| 13 | PVCu strap-on fitting  |
| 14 | 43mm 90 male/female bend                                       |
| 15 | 100mm Ø minimum plastic pipe                                   |
| 16 | Drainage holes   |
| 17 | Limestone chippings  |
| 18 | Bottom of sealed tube  |
| 19 | Increase size of soak-away with lime chippings if in clay soil |

Table 6 Key to external condensate disposal methods

**i** Condensate drainage pipe can be run above or below ground. If the pipe work is run under ground, care must be taken to ensure that the pipe work “fall” towards the disposal point is maintained

If no other discharge method is possible then the use of an externally run condensate drainage pipe terminating at a suitable foul water discharge point, or purpose-built soak away, may be considered. If this method is chosen then the following measures should be adopted:

- ▶ The external run be kept as short as possible and not exceed 3 metres.
- ▶ The pipe should be run internally as far as possible before going externally and the pipe diameter should be increased to 32mm before it passes through the wall to the exterior. The pipe should be insulated using suitable waterproof and weather resistant insulation, if not using a CondenseSure siphon.
- ▶ The external pipe should take the shortest and least exposed route to the discharge point, and should “fall” as steeply as possible away from the boiler, with no horizontal runs in which condensate might stand.
- ▶ The use of fittings, elbows etc. should be kept to a minimum and any internal “burrs” on cut pipe work should be removed so that the internal pipe section is as smooth as possible.

**FITTING AN EXTERNAL AIR BREAK**

- Refer to figure 18 when a rain water down pipe is used to dispose of condensate.
- An air break must be installed in the 43mm pipe work, between the boiler condensate outlet and the drainpipe, outside the property, to avoid flooding during adverse weather conditions.

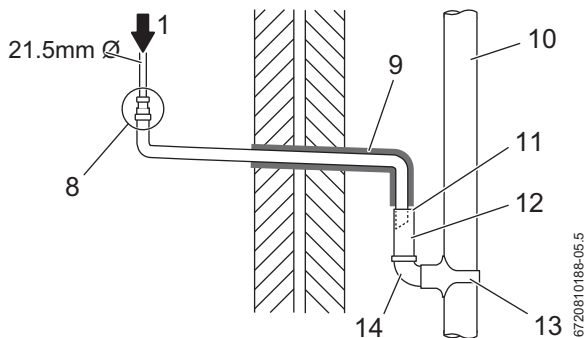


Fig. 18 Disposal into a rainwater down pipe

Where the pipe terminates over an open drain or gully, the pipe should terminate below the grating level, but above water level, in order to minimise “wind chill” at the open end.

The use of a drain cover (such as those used to prevent blockage by leaves) may offer further protection from wind chill.

Pipe drainage will be improved if the end is cut at 45° as opposed to a straight cut.

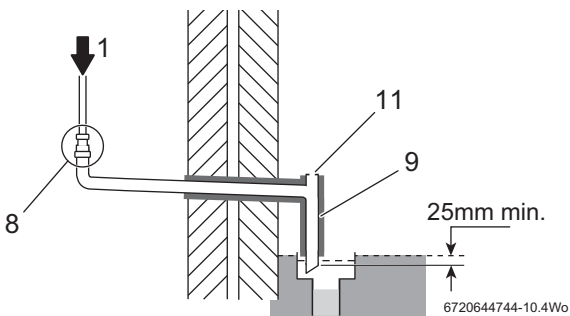


Fig. 19 External disposal

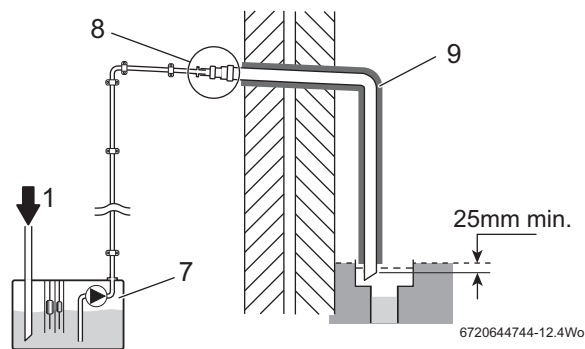


Fig. 20 Condensate pump to external disposal

**CONDENSATE SOAK AWAY**

- The condensate soak away must be sited at least 500mm away from building footings.
- The condensate drainage pipe may be run above or below the ground to the soak away. The examples shown on this page run above ground.
- The soak away must use a 100mm Ø plastic tube with two rows of three 12mm holes on 25mm centres and 50mm from the bottom of the tube. The holes must face away from the house.
- The tube must be surrounded by at least 100mm of limestone chippings to a depth of 400mm.



Minimum hole size for the condensate soak away must be 400mm deep by 300mmØ.

In situations where there are likely to be extremes of temperature or exposure, the use of a proprietary trace-heating system for external pipe work, incorporating an external frost thermostat, should be considered. If such a system is used, the requirement to use 32mm pipe does not apply. However, all other guidance above and the instructions for the trace heating system, should be closely followed.



**NOTICE: Unheated internal areas.**

- ▶ Internal pipe runs in unheated areas such as lofts, basements and garages should be treated as external runs and consideration should be given to using a CondenseSure siphon.

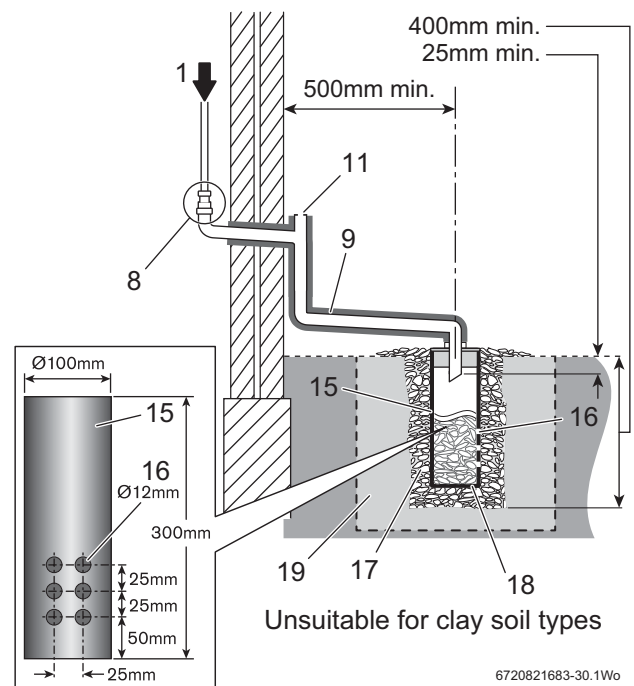


Fig. 21 To a soakaway



**4.6 Pressure relief pipework**

- The pressure relief discharge pipe (1) should be at least 15mm diameter copper pipe and run downwards away from the boiler and discharge away from any electrical or other hazard, preferably to an external drain or soak away.
- Pipe (3) should be finished with a partial bend, near the outlet to face the external wall (as shown) to help prevent freezing.

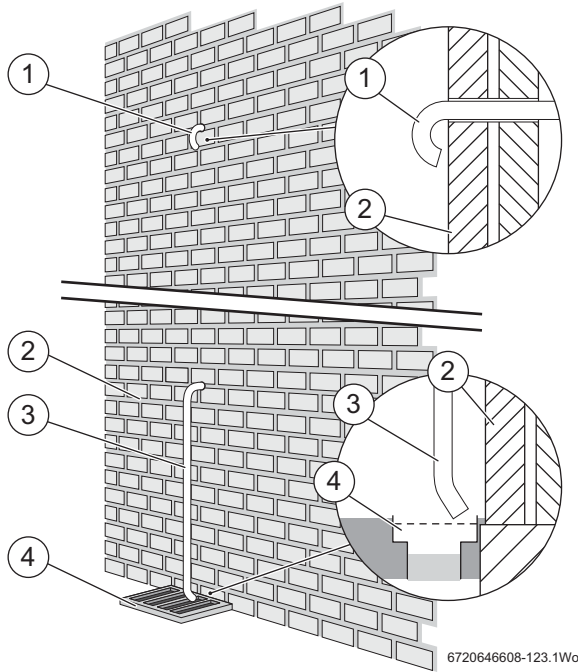


Fig. 22 Pressure relief pipe work

- [2] Outside wall
- [1, 3] PRV discharge pipe
- [4] External drain

**4.7 Boiler locations and clearances**

This boiler is only suitable for installing internally within a property at a suitable location onto a fixed rigid, non-combustible surface of the same size as the boiler and capable of supporting the boiler weight.

The boiler must be installed on a flat level surface to ensure condensate does not enter the primary heat exchanger.

The boiler is not suitable for external installation unless a suitable enclosure is provided.

Roof space installations must fully conform to BS 5410 part 1 section 4.6.9.

**Open flue model (CF)**

In order to ensure clean and efficient combustion an adequate supply of air must be delivered to the combustion chamber.

To provide sufficient air a suitable inlet must be provided into the room or space in which the boiler is situated.

| Output               | 12/18 | 18/25 | 25/32 |
|----------------------|-------|-------|-------|
| Size cm <sup>2</sup> | 99    | 138   | 165   |

An air brick or other form of continuous air supply may have to be built into the installation in order to ensure an adequate supply of air.

If the appliance is to be installed in a confined space or compartment two air vents are required, one at high level and one at low level.

The minimum free area of each vent is shown opposite and depends whether the air is taken from another room or from outside the building.

Where the air is taken from another room that room must contain an air inlet as described above.

**Room sealed balanced flue models (RS)**

The appliance does not require a separate vent for combustion air.

Installation in cupboards or compartments require permanent vents for cooling purposes, one at high level and one at low level, either direct to outside air or to a room.

Both vents must pass to the same room or be on the same wall to the outside air.

The minimum air vent free area is given in the table opposite.

**Installation clearances**

Figure 23 shows the minimum space recommended to install the boiler only.

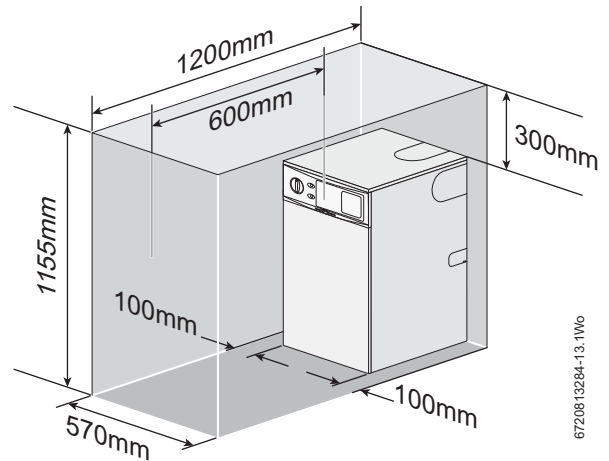


Fig. 23 Installation clearances

**Service clearances**

Figure 24 shows the minimum space required to carry out an annual service.

\* Remove the flue 'knock-out' panel sections if this clearance is less than 75mm.

The appliance is suitable for an under worktop installation providing that the worktop above the boiler (min 10mm clearance) is removable for maintenance and repair and the front of the boiler is not enclosed.

\*\* Due to changes to BS 5410 and modern building design, these figures no longer incorporate the adventitious ventilation allowance.

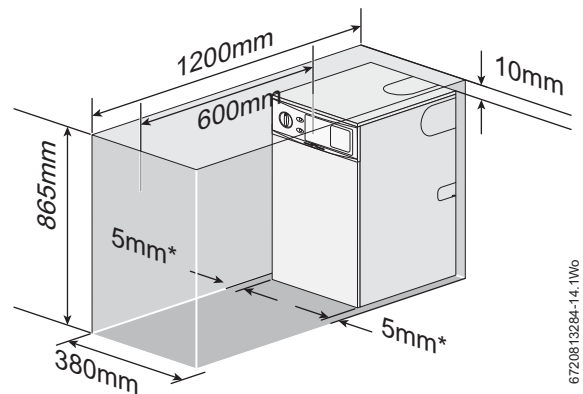


Fig. 24 Service clearances

**Maintenance clearances**

Figure 25 shows the clearances required for maintenance.

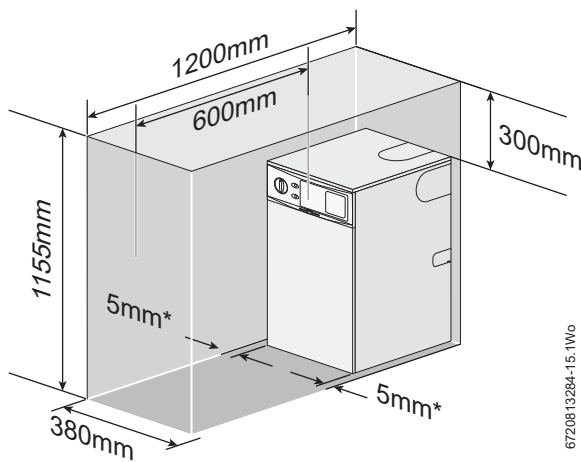


Fig. 25 Maintenance and repair clearances

**Minimum air vent area (cm<sup>3</sup>) for appliances installed in compartments**

| Model | Internal ventilation |           | External ventilation |           |
|-------|----------------------|-----------|----------------------|-----------|
|       | High level           | Low level | High level           | Low level |
| 12/18 | 198                  | 297       | 99                   | 198       |
| 18/25 | 275                  | 413       | 138                  | 275       |
| 25/32 | 330                  | 495       | 165                  | 330       |

Table 7 Conventional flue

| Model | Internal ventilation |           | External ventilation |           |
|-------|----------------------|-----------|----------------------|-----------|
|       | High level           | Low level | High level           | Low level |
| 12/18 | 198                  | 198       | 99                   | 99        |
| 18/25 | 275                  | 275       | 138                  | 138       |
| 25/32 | 330                  | 330       | 165                  | 165       |

Table 8 Room sealed flue

**Compartments**

Follow the requirements of BS 5410 and note:

- Minimum clearances must be maintained.
- An access door is required to install, service and maintain the boiler and any ancillary equipment.
- If fitting the boiler into an airing cupboard use a non-combustible material (if perforated, maximum hole sizes of 13mm) to separate the boiler from the airing space.

**Venting compartments**

There must be sufficient clearance around the appliance to allow proper circulation of ventilation air. The clearances required for installation and servicing will normally be adequate for ventilation.

- Ventilation must be provided for boilers fitted into compartments as described in BS 5410.
- Combustion air must not be taken from a room or internal space containing a bath or shower and must not communicate with a protected area such as a hall, stairway, landing, corridor, lobby, shaft etc.
- Air vents must allow access for clean free air and must be sited to comply with the flue terminal position requirements.
- Air ducting runs must not exceed 3m.
- Low level air vents must be less than 450mm from the floor.
- A warning label must be added to the vents with a statement to the effect: "Do not block this vent. Do not use for storage."

**Rooms containing a bath or shower**

**WARNING:** Conventional flues  
 ▶ Conventional flue boilers must not be installed in a bathroom

**WARNING:** Electric shock  
 ▶ Any switch or appliance using mains electricity must not be within reach of a person using the bath or shower.

**i** In all cases the installation must be in accordance with the latest amendments in the latest edition of the IET wiring regulations (BS7671)

Refer to figure 26, the boiler must not be installed in zones 1 or 2. The boiler can be installed outside the shaded areas.

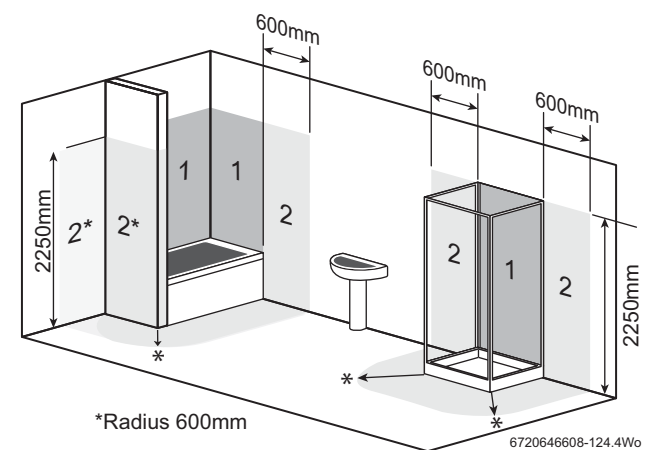


Fig. 26 Bathroom zones

- [2\*] Without end wall, zone 2 must extend 600mm from the bath
- [\*] 600mm radius from the bath or shower


**4.8 Flue terminal positions**

**NOTICE:**

- ▶ All measurements are the minimum clearances required.
- ▶ Terminals must be positioned so to avoid combustion products entering the building.
- ▶ Support the flue at approximately one metre intervals and at a change of direction, use suitable brackets and fittings:  
 - flue bracket 125mm x 1- Part No.: 7 716 191 179
- ▶ In spite of the dimensions given here, the terminal must not be closer than 300mm to combustible material, in the case of a thatched roof double this dimension.
- ▶ Terminals must be positioned so to avoid products of combustion accumulating in stagnant pockets around the building or entering the building.
- ▶ Terminals must be at least 1.8m from an oil storage tank unless a wall with of at least 30 minutes fire resistance and extending 300mm wider and higher than the tank is between the tank and the terminal.

**Key to illustration 22:**

1. 1500mm vertically between terminals and the same wall.
2. 1000mm below eaves, gutters, pipes and drains. External flue joints must be sealed with suitable silicon sealant.
3. 1,500mm measured horizontally between a vertical flue terminal and a window, dormer window or opening.
4. 1,200mm between terminals facing each other.
5. Vertical flue clearance, 300mm adjacent to a boundary line unless it will cause a nuisance. BS 5410: Part 1 2014 recommends that care is taken when siting terminal in relation to boundary lines.
6. 2500mm to a boundary line, unless it will cause a nuisance. It is recommended that care is taken when siting terminal in relation to boundary lines.
7. 300mm minimum clearance from a non opening skylight to a vertical flue.
8. Vertical flue clearance, 750mm to non-combustible building material, and 1,500mm clearance to combustible building material.
9. 1000mm above, below and either side of an opening door, air vent or opening window. These clearances are required by BS 5410- Part 1:2014 to reduce a possible plumbing nuisance, this could be reduced to 600mm if there was no plumbing nuisance, seek guidance from the local authority building control.
10. 600mm diagonally to an opening door, air vent or opening window.
11. 300mm to an internal or external corner.
12. 1000mm below a Velux window for a vertical flue (1000mm for horizontal flue terminal exhaust) 300mm above or to either side of the Velux window. The terminal must be at least 1000mm from the Velux when measured horizontally.
13. The flue must extend at least 600 mm above the roof and 400mm horizontally from a pitched roof or 500mm in regions with heavy snow fall.
14. 1500mm clearance to any vertical structure on a roof or open flue, or 1,000 to a room sealed flue.
15. 1000mm below eaves and gutters and sanitary pipe and 300mm from vertical sanitary pipes and drains.
16. Flue clearance must be at least 300mm from the ground. Terminal guards must be fitted if the flue is less than 2 metres from the ground or if a person could come into contact with the flue terminal.
17. 2500mm to a surface facing a terminal, unless it will cause a nuisance. This could be reduced if there was no plumbing nuisance, seek guidance from the local authority building control
18. Terminals must be at least 1800mm from an oil storage tank unless a wall with of at least 30 minutes fire resistance and extending 300mm wider and higher than the tank is between the tank and the terminal.
19. For the purpose of determining suitable flue terminal positions for the appliances, the boundary can be considered to extend to the centre line of any adjacent routes or waterways e.g. paths, streets, rights of way, canals, rivers or railways.

|   |  |
|---|--|
|  | <p><b>NOTICE:</b></p> <ul style="list-style-type: none"> <li>▶ Installations in car ports are not recommended.</li> <li>▶ Dimensions from a flue terminal to a fanned air inlet to be determined by the ventilation equipment manufacturer.</li> <li>▶ A flue terminal guard should be fitted over a terminal, if persons could come into contact with the terminal, or it could be subject to damage and where the terminal is less than 2m from the finished floor level.</li> </ul> |
|---|--|

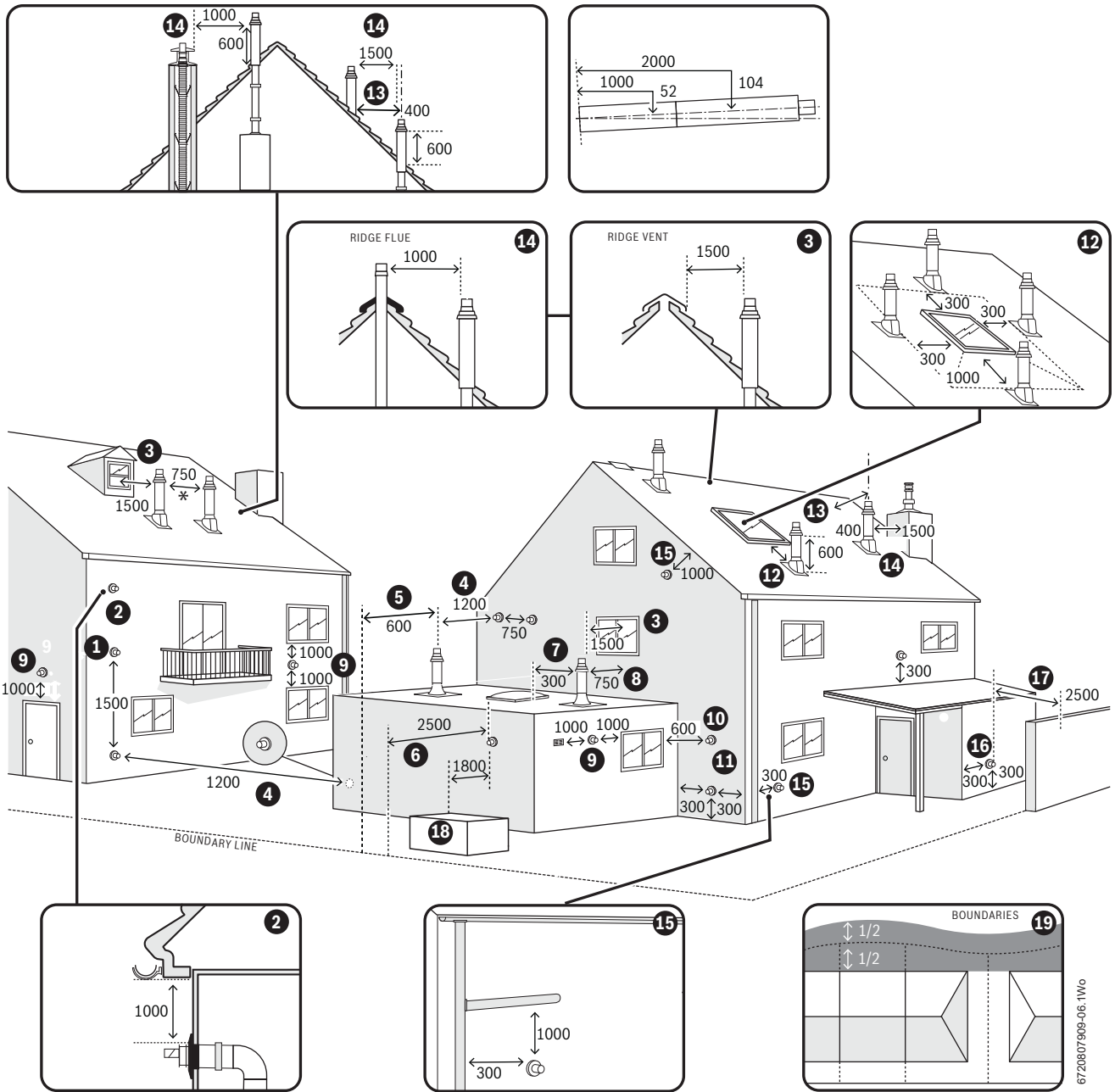


Fig. 27 Flue terminal positions

## 4.9 Flue options

### 4.9.1 Conventional flue (CF)

- Open (conventional) flued appliances must not be installed in a bedroom, bathroom or bed-sitting room.
- The flue system must be in accordance with BS 5410 : Part 1 and the current Building Regulations.
- The flue must be constructed of materials suitable for use with condensing combustion products.
- External flue systems must be of the insulated type.
- Brick and masonry chimneys must be lined with a suitable non-combustible material and properly jointed to withstand the effects of the working temperature (minimum rating of material 120°C) of the appliance and any condensate which may form.
- All flue joints must be sealed to prevent the leakage of condensate and combustion products.
- Ensure that joints are made so that the condensate runs away and is not collected within the joint.



The flue can be increased in size from the boiler take off point providing the joint is correctly sealed. Never reduce the flue diameter from the boiler take off point.

#### CF Sizing:

- ▶ 12/18 and 18/25 = 100/103mmØ
- ▶ 25/32 = 130mmØ\*

#### \* Unless installing a Worcester Greenstar Oilfit Conventional Flexible flue.

- Because the flue operates at a lower temperature on a condensing boiler compared to that of a conventional appliance, the flue draught will be lower. Typically the draught will be between 0.5mmwg and 4.4mmwg, measured with the flue warm but the burner not firing. The actual figure will vary depending on weather conditions, flue height and position.
- The flue should be vertical and contain as few bends as possible, a maximum of two 135° bends should be used.
- The flue outlet must be extended beyond the eaves of the building and where possible, above the apex.
- Fit a suitable anti down-draught terminal where down draughts are experienced.

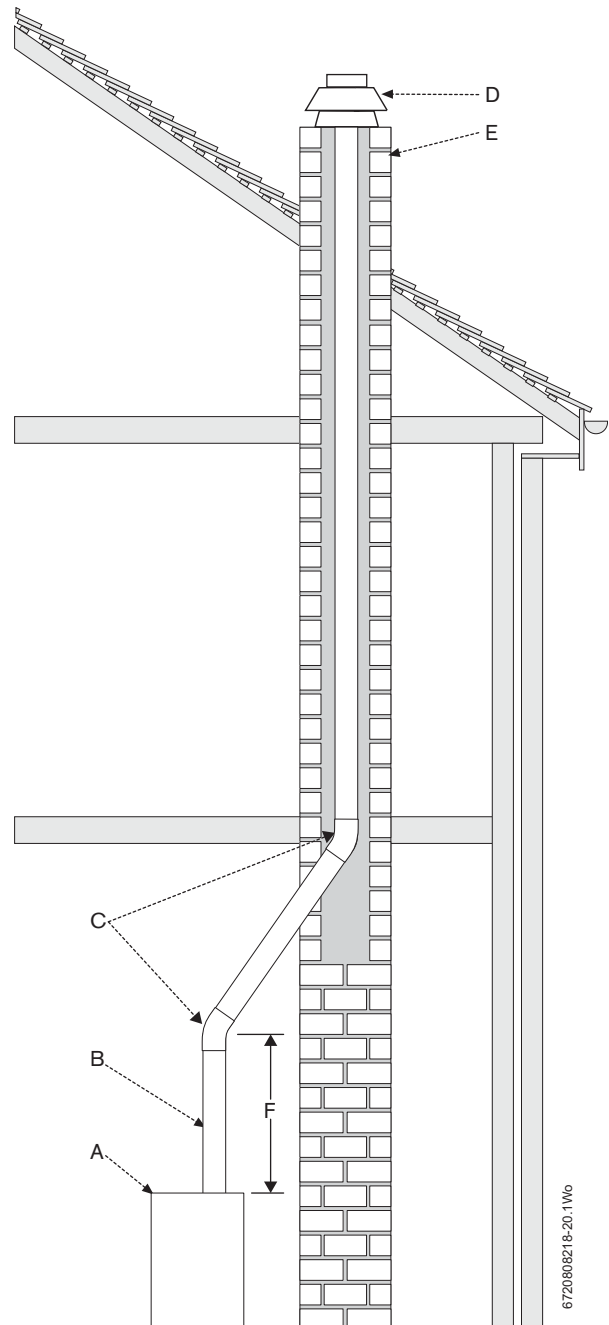


Fig. 28 Conventional flue

- [A] Boiler
- [B] Stainless steel flue
- [C] Max. two bends at 135°
- [D] Anti down-draught terminal
- [E] Chimney
- [F] Height to first bend from top of boiler (min. 600mm)

6720808218-20-1W6

**4.9.2 Room sealed flue options**

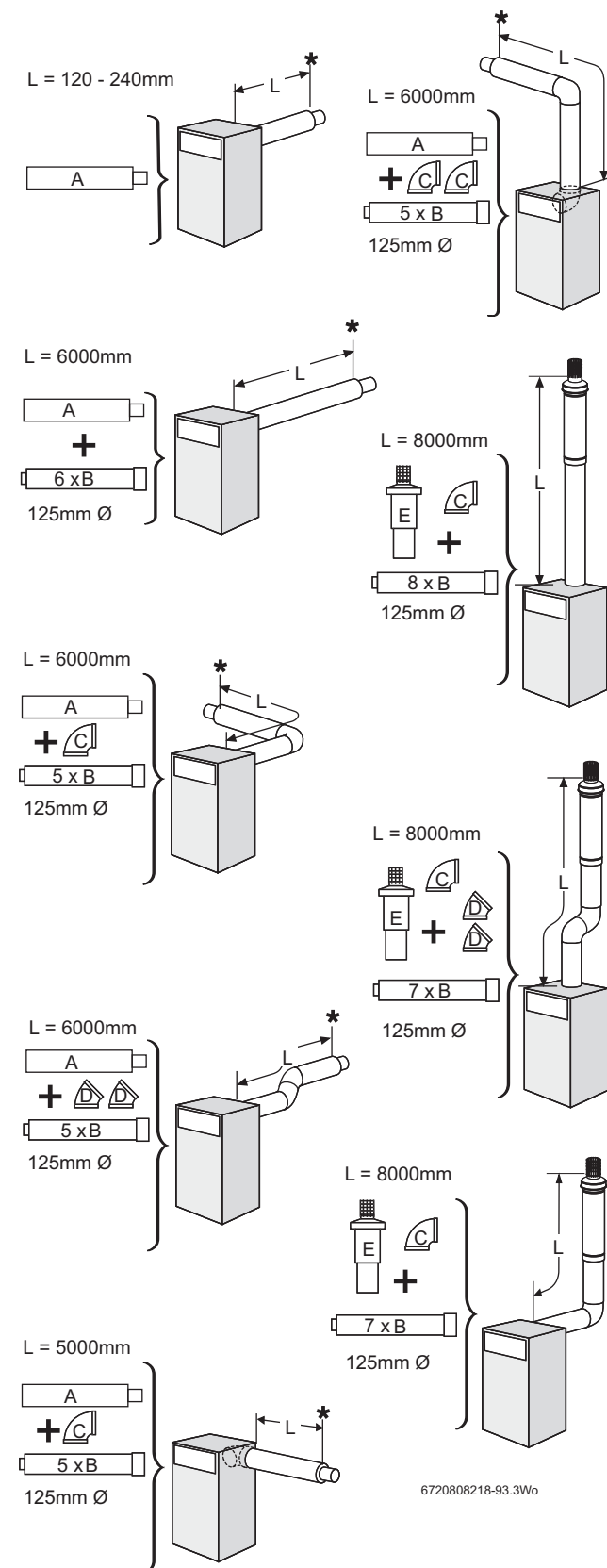


Fig. 29 Room sealed flue options

- [A] Flue terminal
- [B] Flue extension
- [C] 90° bend
- [D] 45° bend
- [E] Vertical flue terminal

Figure 29 shows the components used and the maximum flue length (L) for each flue configuration.

In all cases L is measured from the outside of the boiler casing.

- To achieve the maximum flue length (L), a flue section will have to be reduced in length.
- Only the flue terminal or straight flue extensions can be reduced in length by cutting.
- The flue terminal end can be fitted from the inside or outside of the building.

**i** All horizontal sections must rise away from the boiler by 52mm per metre (3°) to allow the condensate to drain back to the boiler.

**Calculating the flue length**

Measure the total flue length required, noting that the maximum straight flue length including the terminal is:

Horizontal 80/125mm Ø: 6000mm (excluding 120mm of terminal extending outside the building)

Vertical 80/125mm Ø: 8000mm (measured from the boiler top panel).

Then reduce the total straight flue length for each extra flue bend (excluding the vertical flue kit 90° elbow) by:

- 1000mm for 90°
- 500mm for 45°

**Flue extension lengths**

Horizontal & Vertical 80/125mm Ø: 1000mm overall length.

Effective length when engaged into sockets within the flue run is 950mm.

**Flue terminal lengths**

Horizontal 80/125mm Ø: 720mm

Vertical 80/125mm Ø: 1080mm + cage

\*to outside wall.

6720808218-93.3Wo

## 5 Installation

### 5.1 Unpacking the boiler



**CAUTION:** Lifting and carrying

- ▶ Lift only a manageable weight, or ask for help.
- ▶ When lifting or putting things down, bend your knees, keep your back straight, and feet apart.
- ▶ Do not lift and twist at the same time.
- ▶ Lift and carry object close to your body.
- ▶ Wear protective clothing and gloves to protect against sharp edges.



**NOTICE:** Before installation

- ▶ All the previous Pre-Installation sections must be read and requirements met before starting boiler or flue installation.

#### Unpacking

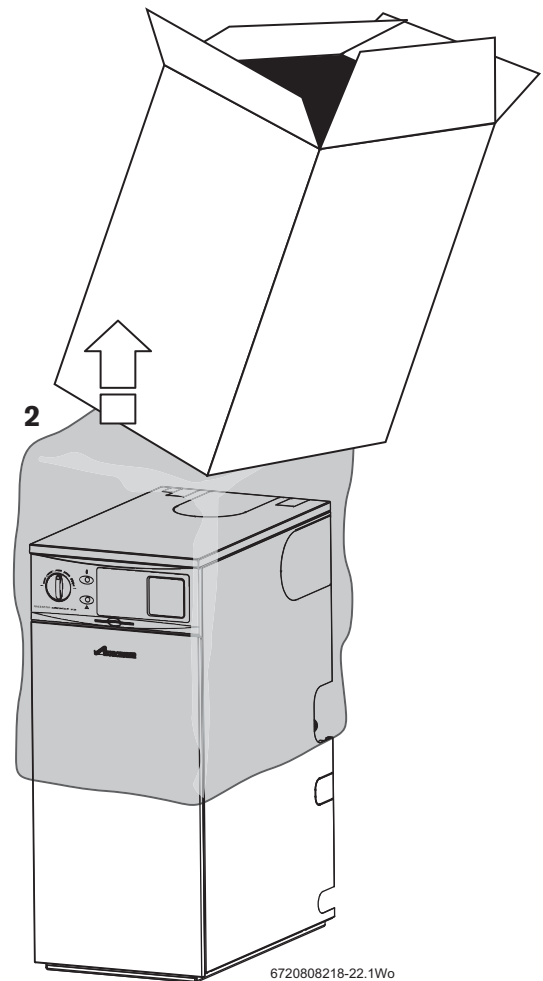
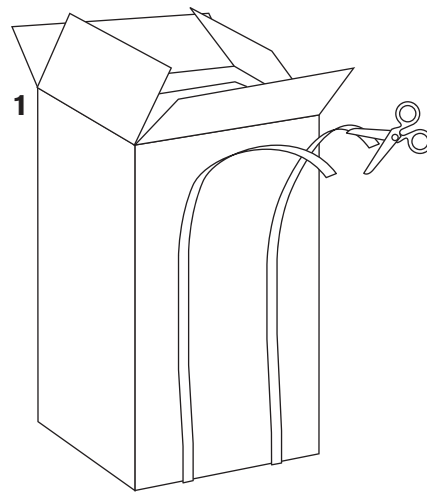
It is advised that at least two or more persons are involved in the transfer of the packaged boiler from the van to the point of delivery.

1. Once the packaged boiler has been delivered, the outer carton is removed first.  
Care should be taken when releasing the straps. If a sharp implement is used make sure the outer carton is not pierced and that the implement is used in such a way so that it may not cause personal injury. All sharp objects must be covered or the blade retracted after use and put away in a safe place.
2. Lift carton up and away from the boiler.
  - ▶ Remove the plastic bag and upper front protection cover from the boiler and place safely aside.
  - ▶ Two or more persons are required to move the boiler taking care not to damage the boiler, panels or the floor.



**NOTICE: Heavy objects**

- ▶ At all times the correct method for handling heavy objects should be strictly observed.



6720808218-22.1W0

Fig. 30

### 5.2 Pipework positions and flue opening



**CAUTION:** Drilling

- ▶ Ensure there are no pipes, electrical cables, damp proof courses or other hazards before drilling.

#### Safety

All relevant safety precautions must be undertaken. Protective clothing, footwear, gloves and safety goggles must be worn as appropriate.



**Pipework connections - Regular**

- A - Flow connections (optional combined feed and vent) 1" BSP
- B - Return connections 22mmØ copper on 12/18, 18/25 models and 28mmØ copper on 25/32 models
- C - Condensate outlet 21.5mm Ø
- D - Flue outlet
- E - Oil pipe isolating valve
- F - Optional oil line return connection

**i** For servicing purposes, keep condensate discharge pipe away from components and pipework connections.

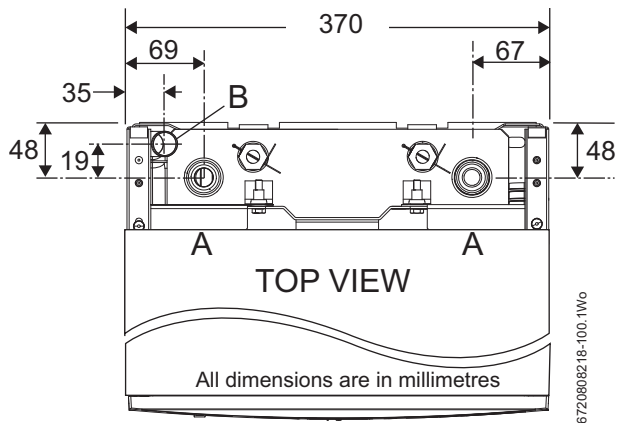


Fig. 31 Top view of Regular boiler pipe connections

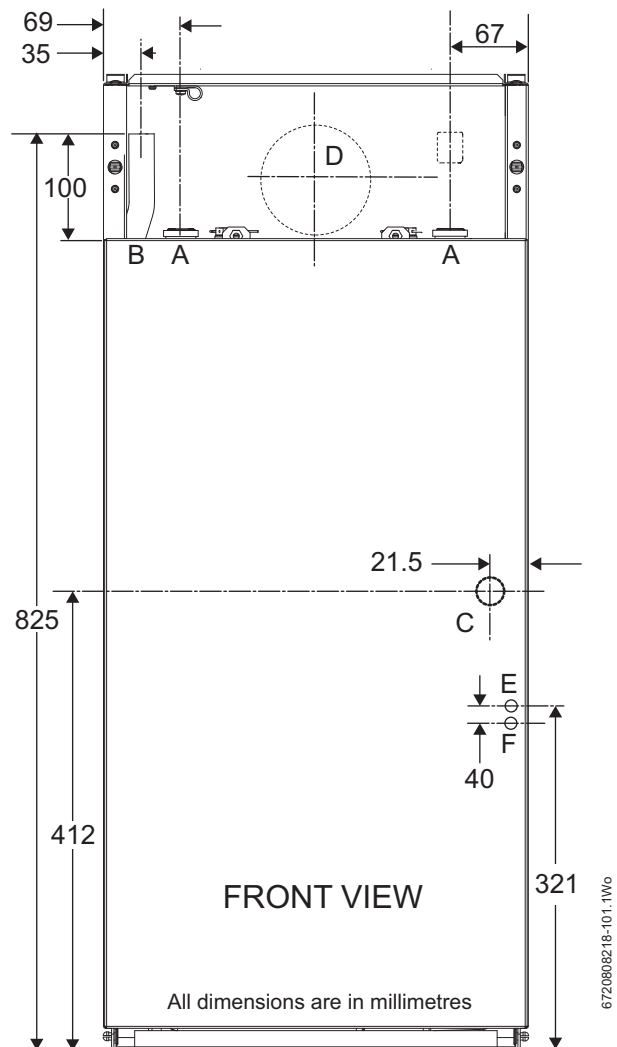


Fig. 32 Front view of Regular boiler pipe connections

**Pipework connections - System**

- A - Flow connections 12/18 & 18/25 - 22mm Ø , 25/32 - 28mm Ø
- B - Return connections 22mmØ copper on 12/18, 18/25 models and 28mmØ copper on 25/32 models
- C - Condensate outlet 21.5mm Ø
- D - Flue outlet
- E - Oil pipe isolating valve
- F - Optional oil line return line connection
- PRV - 15mm Ø

**i** For servicing purposes, keep condensate and pressure relief discharge pipes away from components and pipework connections.

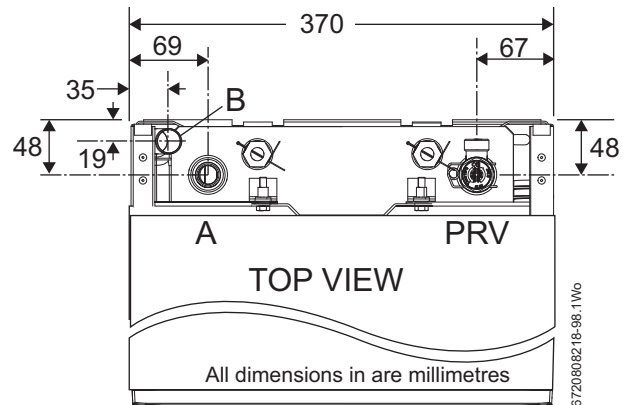


Fig. 33 Top view of System boiler pipe connections

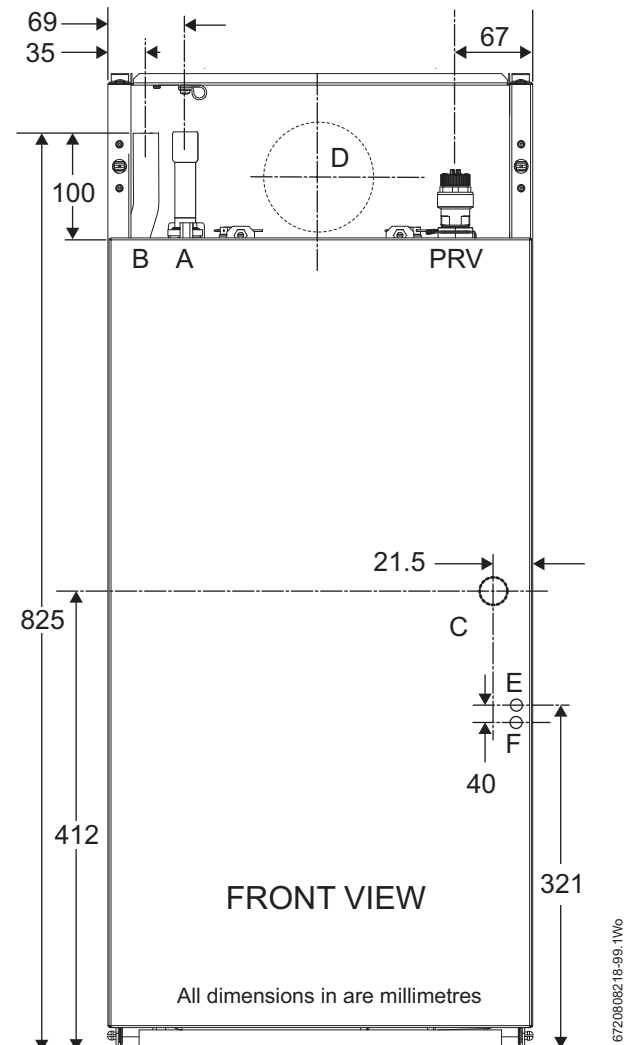


Fig. 34 Front view of System boiler pipe connections

**Flue centres**

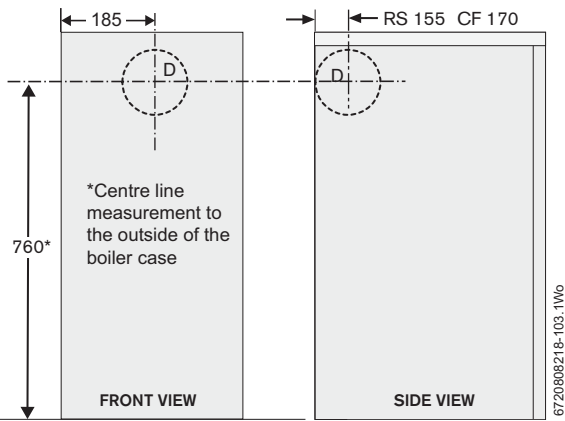


Fig. 35 Flue centres

**Flue opening**

- ▶ Follow figure 36 to mark the centre of the flue (1, & 2) for rear opening, (2 & 3) for side opening or (1 & 4) for top opening.



\*\* All horizontal flue sections must rise away from the boiler by 52mm per metre to ensure that condensate flows back into the boiler for safe discharge via the condensate waste pipe.

- ▶ Make an opening (F, G or H) using a core drill or similar at a size relative to the wall thickness as shown below:

| 125mm Ø flue:     |                     |
|-------------------|---------------------|
| Wall thickness mm | Flue hole size Ø mm |
| 150 - 240         | 155                 |
| 240 - 330         | 160                 |
| 330 - 420         | 165                 |
| 420 - 500         | 170                 |

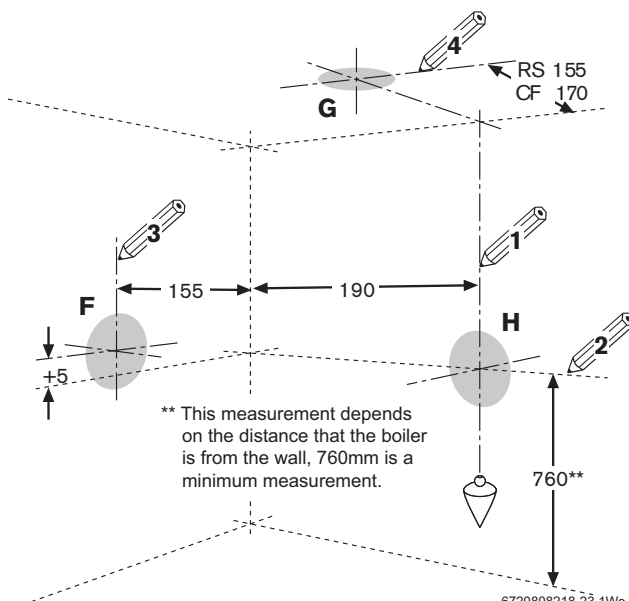
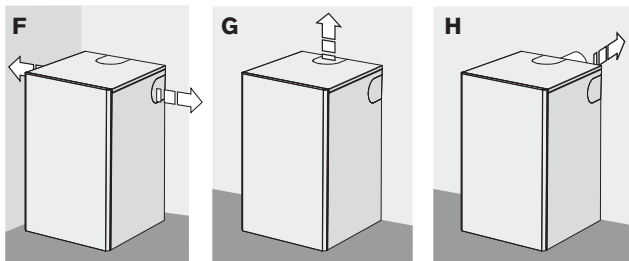


Fig. 36 Flue opening

**5.3 Boiler installation**

1. Lift the front of the top panel (A) upwards to disengage the ball stud connections (B) and pull forwards to release from the brackets (C) at the back to remove. Pull front panel (D) forward from the bottom and near the top disengaging the ball studs from their connections (E) and lift off the ledge (F) that runs along the bottom of the fascia to remove.
2. Unplug burner lead (G) from control box.

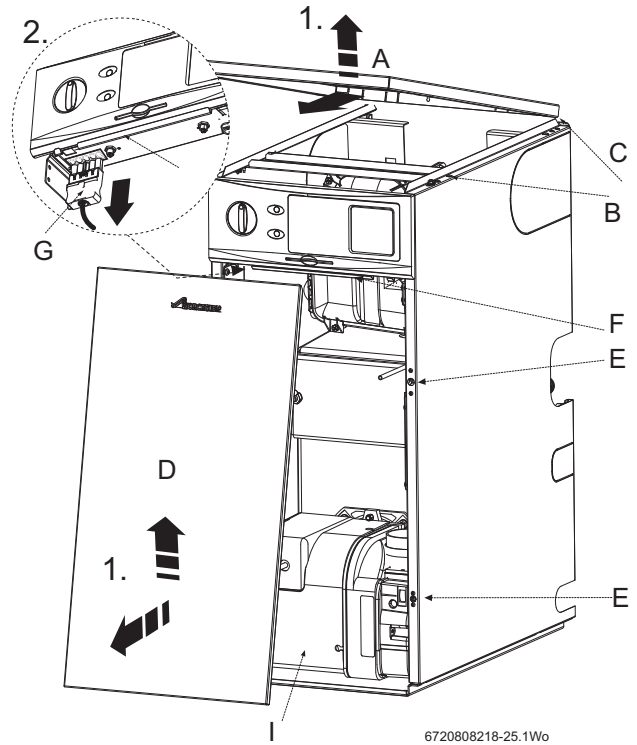


Fig. 37 Boiler installation

**Kitchen system only:**

- ▶ In the case of the Kitchen system boiler, remove the retaining screw [1] at the base of the expansion vessel.
- ▶ Pull the expansion vessel forward slightly and down to remove. Place to expansion vessel outside of the boiler, taking care not to kink or stretch the flexible hose.

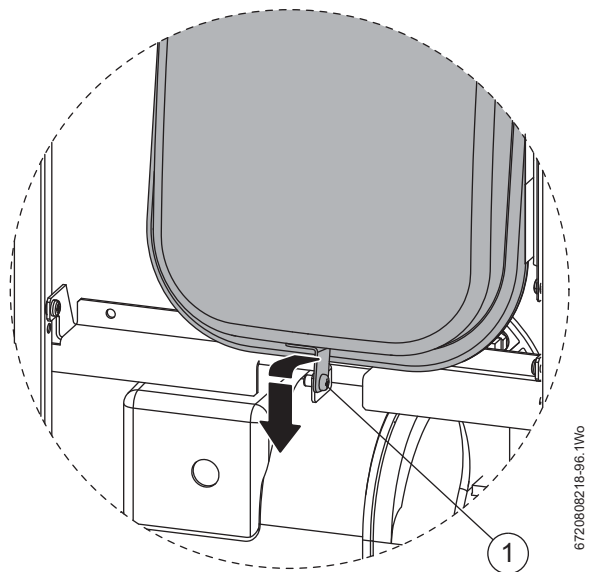


Fig. 38

- Unscrew to loosen the retaining ring (H) that secures the flexible air supply tube to the burner and pull the flexible air supply tube free from the burner (see figure 39).

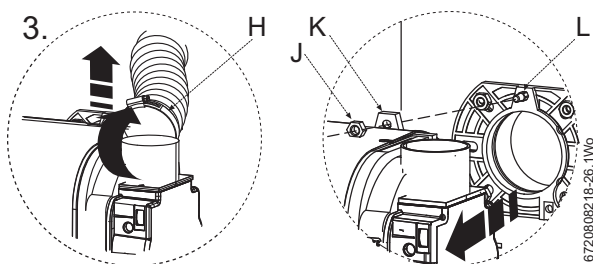


Fig. 39

- Undo and remove the retaining nut (J) on top of the burner. The burner mounting (K) can now be eased off the lug (L) on the burner collar to remove the burner from the heat exchanger. Store the burner and retaining nut safely away from the boiler.
- Carefully move the boiler into position observing at all times the correct method for handling heavy objects.

### 5.4 Flue installation

The flue can exit the boiler from outlets A, B, C or D allowing vertical (RS) and horizontal (RS low or high level) flues to be fitted. (CF position 'A' only).

Refer to the separate flue installation instructions supplied with the flue kits available for this boiler:

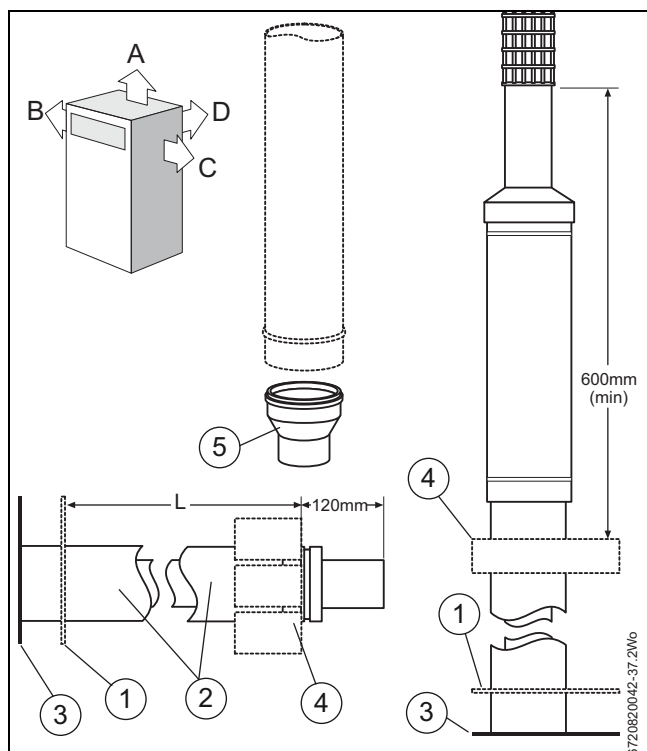


Fig. 40

- [1] Boiler outer casing
- [2] Outer flue tube
- [3] Outlet/elbow connection
- [4] Outside wall/roof
- [5] CF adaptor
- [L] Effective length of the flue

### 5.4.1 Flue damper installation



**NOTICE:** Fitting the flue damper  
Failure to fit the flue damper, when required will effect the performance of the boiler and may cause "Lockouts"



The flue damper is only fitted to models stated in the table below

| Model range | Output (kW) | Flue damper fitted   |
|-------------|-------------|----------------------|
| 12/18       | 13          | Yes                  |
|             | 15          | Yes                  |
|             | 18          | Yes                  |
| 18/25       | 18          | Yes                  |
|             | 21.5        | Yes                  |
|             | 25          | Yes                  |
| 25/32       | 25          | No                   |
|             | 28          | No                   |
|             | 32          | Yes ≤ 4m flue length |
|             | 32          | No > 4m flue length  |

Table 9

Insert the flue damper into the inner tube of the straight extension or 90° elbow and fit the flue as shown in figure 41. Ensure that the rubber seal is fitted into the inner tube.

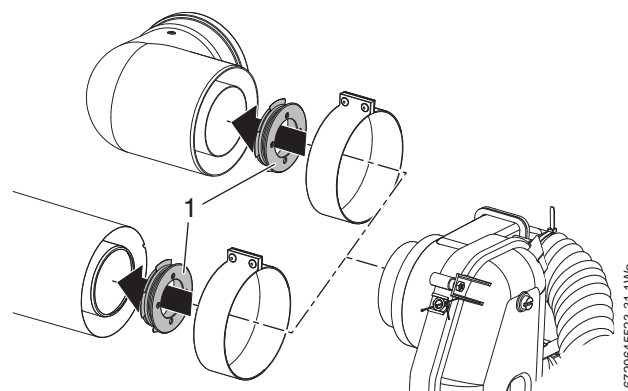


Fig. 41 Flue damper fitting

**5.4.2 Installation notes**

- ▶ If using an extension or horizontal terminal onto the boiler outlet, remove the flue elbow retaining bracket [6].

**WARNING:** Escaping flue gases  
The flue elbow and clamp may become loose.

- ▶ The flue elbow retaining bracket [6] must be fitted if a flue elbow is used on the boiler outlet.

- ▶ When connecting a flue elbow [8] directly to the boiler flue outlet, loosen the flue elbow retaining bracket screws [7] before fitting the flue elbow. Insert the flue elbow with the flue retaining clamp [9] loosely fitted, then tighten the bracket screws [7]. Clamp the elbow when adjusted to its required orientation.
- ▶ Orient the flue elbow into the required position and secure with the clamp.
- ▶ Ensure all flue seals are in good condition and seated properly.
- ▶ To ease assembly of flue components, grease seals lightly with the solvent-free grease supplied.
- ▶ A clamp should be installed for every 1m and at every change of direction.

**i** The boiler is not designed to take the weight of the flue system, this must be supported externally to the boiler.

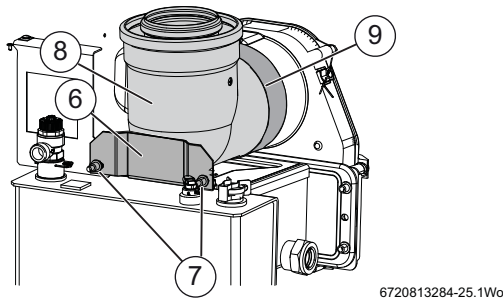


Fig. 42

- ▶ All horizontal flue sections must rise by at least 52mm for each metre (3°) away from the boiler to ensure that condensate flows back into the boiler for safe discharge via the condensate waste pipe.
- ▶ The horizontal terminal must be installed at 3° to ensure that the condensate drains back to the boiler whilst also preventing rain ingress down the air duct.

**5.5 Combustion chamber (18/25 Regular shown)**

1. Remove the control box securing screws (A, bottom screw both sides) and loosen the pivot screws (B, top screw both sides).
2. Lower the control box into the service position.

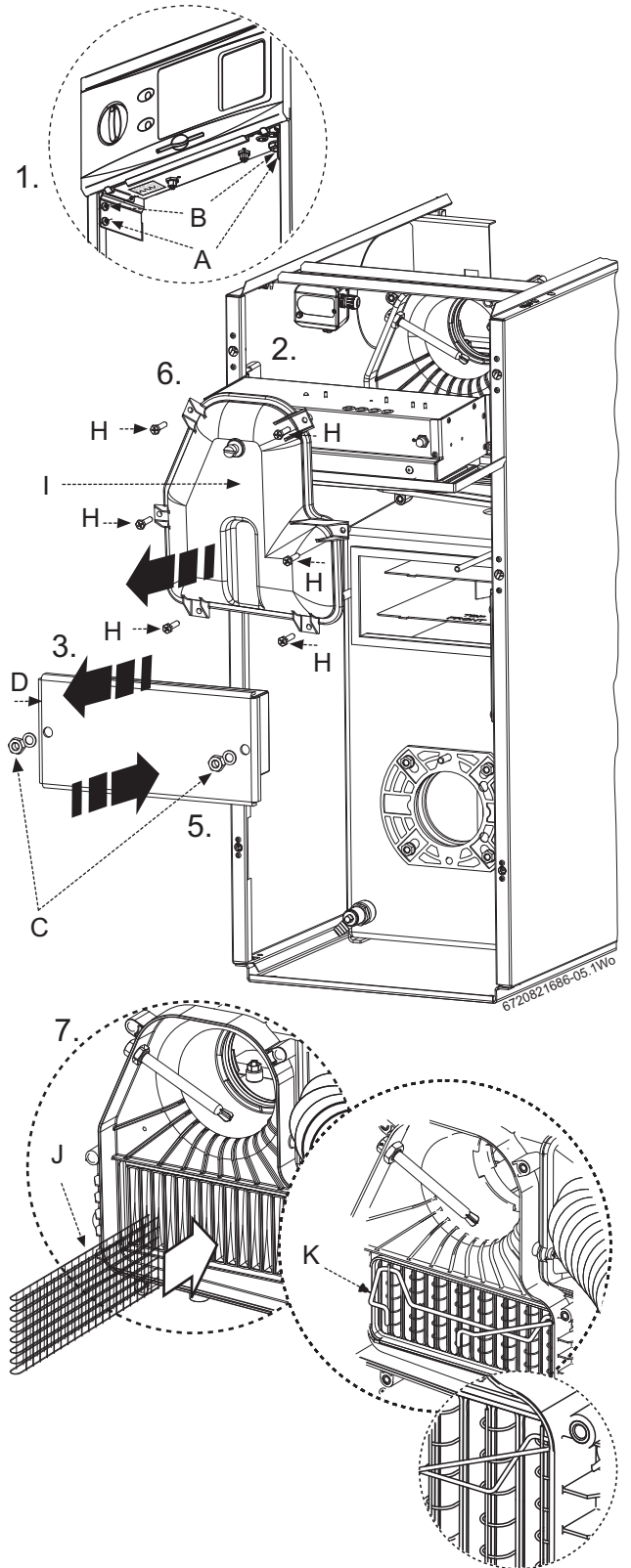


Fig. 43

3. Release retaining nuts and washers (C).  
Remove baffle/combustion chamber access door (D).
4. Ensure one piece baffle set (E) is in the right location (F), correctly resting on the baffle rests (G) on either side of the combustion chamber and pushed securely into place.  
Baffle sets for the 18/25 and 25/32 boilers are identified with tabs on the front and rear edge

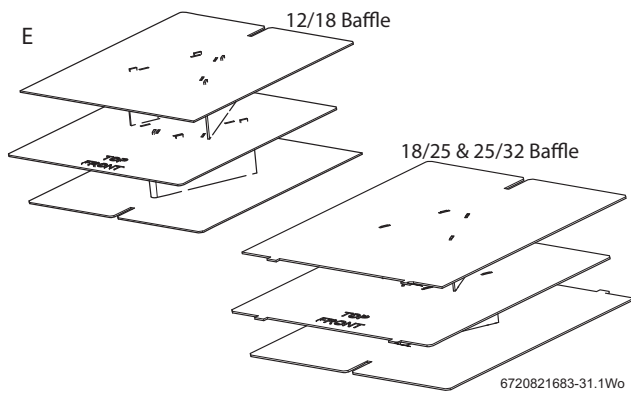


Fig. 44 Baffle arrangement

5. Secure baffle/combustion chamber access door (D) with nuts and washers (C). Tighten until door is firmly secured. Do not overtighten the nuts.
6. Release the screws (H) and remove flue manifold access cover (I).
7. Check that all the baffles (J) and baffle retainer (K) are correctly fitted to the secondary heat exchanger.  
Hook the retainer (K) over the end two baffles.
8. Check that the flue damper is correctly fitted, if required, refer to section 5.4.1

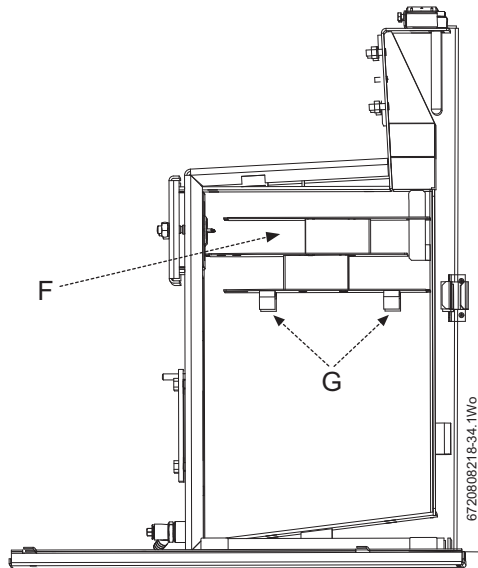


Fig. 45

## 5.6 Pipework connections



### CAUTION: MAINS SUPPLIES

- ▶ Isolate the oil & water mains supply before starting any work and follow all relevant safety precautions.

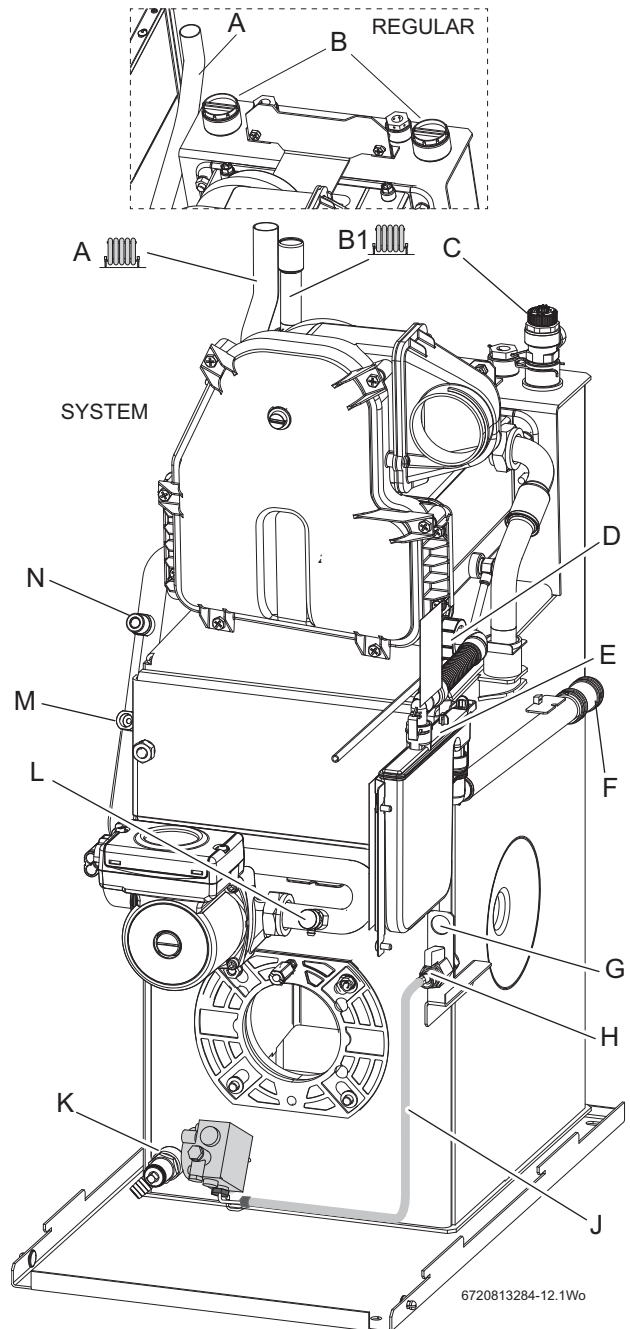


Fig. 46 Pipework connections

- [A] Return connection 22mm Ø copper (28mm Ø on 25/32 models)
- [B] Flow & optional combined feed and vent 1" BSP
- [B1] Flow connection 22mm copper (28mm on 25/32 models)
- [C] Pressure relief valve
- [D] Flue manifold condensate outlet
- [E] Condensate trap - supplied
- [F] Condensate outlet & flexible push fit connection (21.5mmØ)
- [G] Fixing point for optional oil return pipe
- [H] Oil isolating valve (10mmØ)
- [J] Flexible oil hose and routing
- [K] Primary Drain (hose connection)
- [L] Pump circuit drain point
- [M] Pressure gauge connection
- [N] Expansion vessel connection



**Water connections**



Surplus water may be present due to factory testing.

- ▶ Remove the transit bungs from the boiler pipework connections.
- ▶ Ensure all of the pipework is clean.
- ▶ Align the water pipework and connect. The 12/18 and 18/25 return pipe only, may be cut to simplify pipe routing externally to the boiler.
- ▶ Check that all the unused sockets have been capped.

**Return pipe connection**

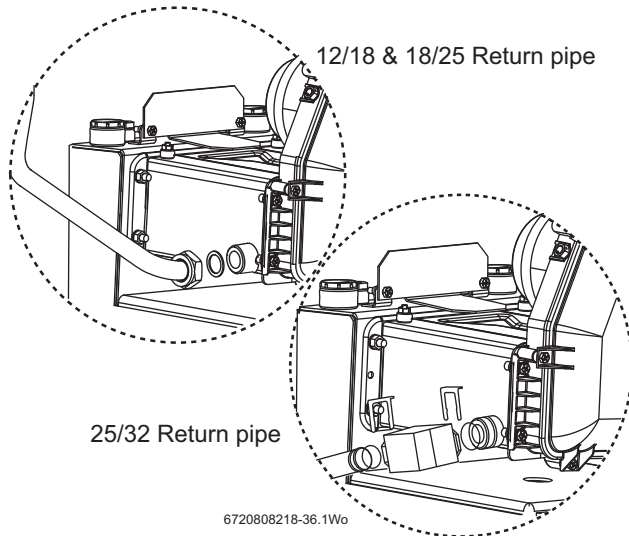


Fig. 47 Return pipes

**Oil supply connections**

- ▶ Refer to figure 46 and ensure that the isolating valve (H) is closed and route the oil supply pipe along the right side of the boiler and connect to the isolating valve (H).

**Condensate connection**

- ▶ Connect the 21.5mm polypropylene pipe (not supplied) to the condensate waste pipe flexible push fit connector (F) and terminate to waste. Do not use any solvents, adhesives or lubricants when pushing the pipe into the flexible push fit connector (F).
- ▶ Ensure that the condensate pipe runs away from the boiler at a constant fall of at least 52mm (minimum) for every metre.
- ▶ Fill the condensate trap with 500ml of water via the condensate sump (P).
- ▶ Check the water is running away and the condensate pipework joints are water tight.
- ▶ Check the flue manifold seal (within the rim recess of the flue manifold access cover) is undamaged and seated correctly.
- ▶ Refit flue manifold access cover (R) and secure with screws (S).

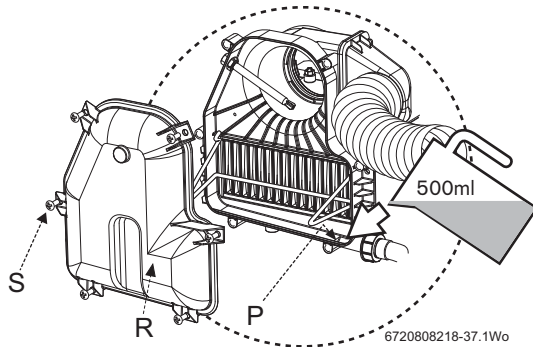


Fig. 48 Condensate

- [P] Condensate collection sump
- [R] Manifold access cover
- [S] Screws

**Fire valve**

Where required, check that the oil supply pipe has a fire valve fitted externally to the building with the fire valve sensor located within the appliance case.

A fire valve sensor clip [1] is provided for this purpose on the support bar between the side panels.

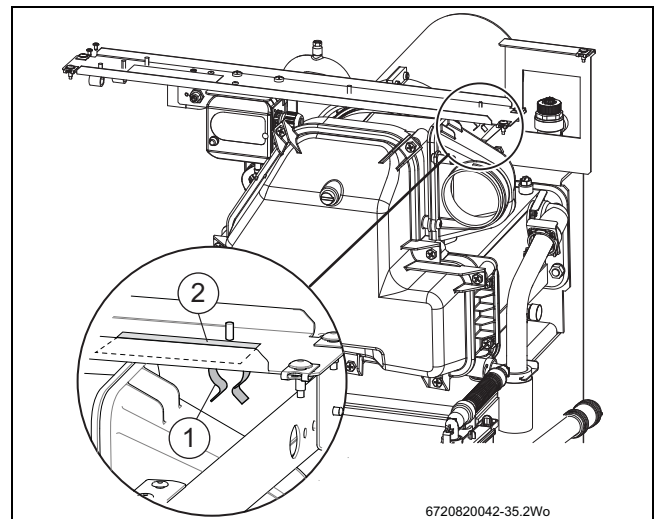


Fig. 49 Fire valve clip

- [1] Fire valve clip
- [2] Fire valve label

The fire valve label [2] states that the fire valve should be rated at 85°C or above to avoid nuisance cut outs.

### 5.7 Oil burner and pump

**CAUTION: MAINS SUPPLIES**

- ▶ Isolate the oil & water mains supply before starting any work and observe all relevant safety precautions.

**NOTICE: Nozzle orifice contamination**

- ▶ to avoid contamination do not dismantle, clean or touch the nozzle tip

#### Oil burner nozzle

Before removing or fitting a new nozzle refer to figure 50:

- ▶ Remove the screws [1] from the blast tube [2] and remove the blast tube

**i** There is a recirculation tube fitted to the 12/18 models, this does not need to be removed from the blast tube

- ▶ Unplug the HT leads [4]
- ▶ Loosen the screw [3] securing the break plate [5] and slide the unit off
- ▶ Use a suitable spanner to stop the nozzle body turning
- ▶ Remove the nozzle [8] and secure the new nozzle, hand tight
- ▶ Tighten the nozzle utilising the two spanners used during removal, do not overtighten
- ▶ Refit the break plate ensuring that the photocell and the break plate hole [5] are aligned and secure with the screw [3] into the seating provided [7]
- ▶ Reconnect the HT leads [4]
- ▶ Refit the blast tube [2] and secure with the screws [1]

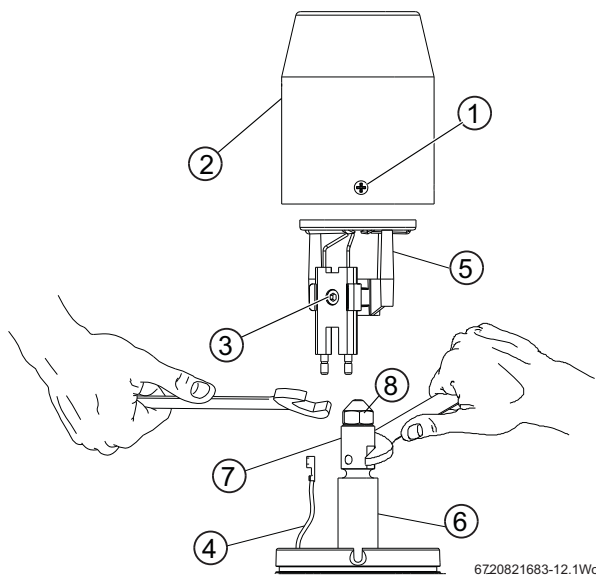


Fig. 50 Nozzle access

Refer to figure 51:

- ▶ Check that the nozzle [1] and the electrode [2] alignment settings are correct.
- ▶ Ensure that the nozzle [1] is aligned centrally within the combustion head [3].
- ▶ Inspect for any visible defects.

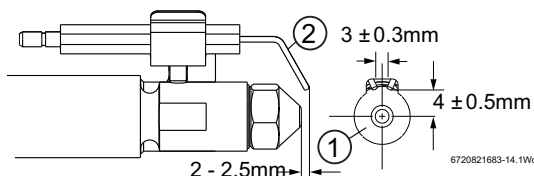


Fig. 51 Nozzle and electrode alignment

#### Burner head adjustment

The burner head adjustments are made to achieve the required output from the burner. The adjustments are made via a thumb-wheel on the burner. Refer to section 6.4.4 for setting information.

#### Oil pump - Single pipe connection

Connecting the oil pump for a single pipe system:

- ▶ The pump is factory set for single pipe operation with the flexible oil pipe fitted.
- ▶ Check connections before use.

#### Oil pump - two pipe connection

Converting the oil pump for a double pipe system:

1. Check the inlet pipe connection.
  - ▶ Unscrew the return plug [1].
  - ▶ Screw in by-pass screw [2] that is supplied in a plastic bag attached to the oil pump.
2. Connect the flexible oil pipe return hose [3] (not supplied) to the oil pump and return pipe fixing and tighten to secure (for routing see figure 46).

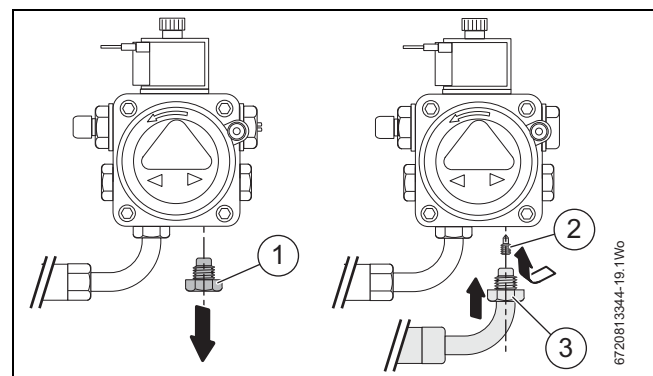


Fig. 52 Converting to double pipe system

- [1] Return plug
- [2] By-pass screw
- [3] Return pipe connection



## 5.8 Refitting components

**WARNING:** Flue gas leakage.  
The seal between the burner and the mounting flange must form a gas tight seal to prevent leakage of potentially dangerous gases from the combustion chamber.

- ▶ Unless the burner is level when pushing the burner into the flange the O ring may not seat properly allowing flue gas to escape!
- ▶ Always check that the O-ring seal (Fig. 53 item A) is in good condition before fitting the burner. Replace the O-ring seal if defective.

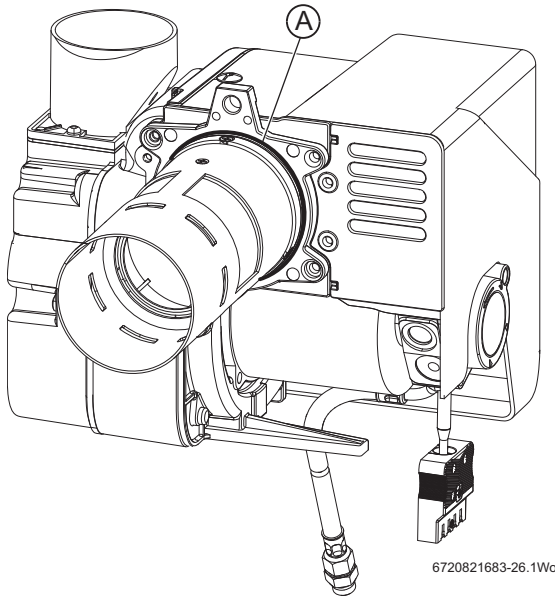


Fig. 53 12/18 Burner O-ring seal shown

- Align burner combustion head into the boiler collar.
  - ▶ Locate the burner retainer [A] over the threaded lug on the collar [B], ensure that the burner is level and push the burner firmly onto the flange ensuring the O-ring seal is fully engaged. Support the burner in position and secure with the retaining nut [C]. Tighten sufficiently to hold the burner but do not over tighten.
  - ▶ Check that the burner is seated correctly on its mounting flange and that the oil hose/s are routed correctly as shown in Fig. 37 and not trapped in front of or underneath the burner.
- Attach air duct and tighten clip (D) to secure to the burner air intake.

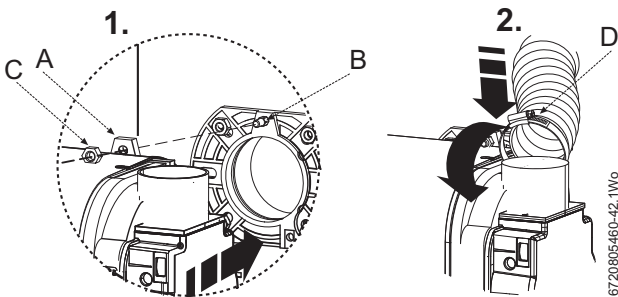


Fig. 54 Refitting the burner

- Swing control box back up into operating position and retain in place by replacing the two securing screws (E) in the bottom locations.
  - ▶ Plug burner lead (F) into control box.

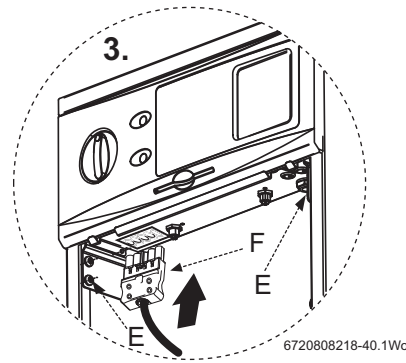


Fig. 55 Refitting the control panel

## 5.9 Electrical

**CAUTION:** ISOLATE THE 230v ELECTRICITY SUPPLY

- ▶ Ensure that the electricity supply is safely isolated and secured to prevent inadvertent re-connection. Information on safe isolation can be found in the Health and Safety Executive guidance HSG85. Using test equipment approved to GS38 confirm that the electricity supply is disconnected.

- ▶ The mains electrical supply to the boiler and system wiring centre must be common and through either a common fused double pole isolator or a fused three pin plug and unswitched socket.
- ▶ The isolator shall be sited next to the boiler for new systems and where practicable, replacement boilers.
- ▶ The isolator must have a contact separation of 3mm minimum between all poles.
- ▶ Any additional components that are connected to the boiler with mains electrical supply must not have a separate supply.
- ▶ External 5 Amps.
- ▶ When stripping wires ensure copper strands do not fall into the control box.

### Access to 230V connections

- Remove the four fascia retaining screws (A) and position the fascia assembly (B) on the two fascia location lugs (C) as shown.
- Release screws (D) from cable clamp (E).
  - ▶ Feed sufficient power cable (F) through the cable clamp (E) and secure grip with screws (D).
  - ▶ Separate wires from cable end and strip to 6mm.

### 230V connections

- Connect LIVE wire (Brown) to terminal L.
  - ▶ Connect NEUTRAL wire (Blue) to terminal N.
  - ▶ Connect EARTH wire (Green/Yellow) to the earth terminal

**i** Route the power cable down the side panel using the clip provided on the support panel to the external connection point avoiding any potentially hot surfaces allowing sufficient cable to pivot the control box into the service position.

**NOTICE:** External devices

- ▶ The boiler and any external devices connected to the boiler must have a single point of isolation. See the following pages of electrical diagrams for details of different systems.

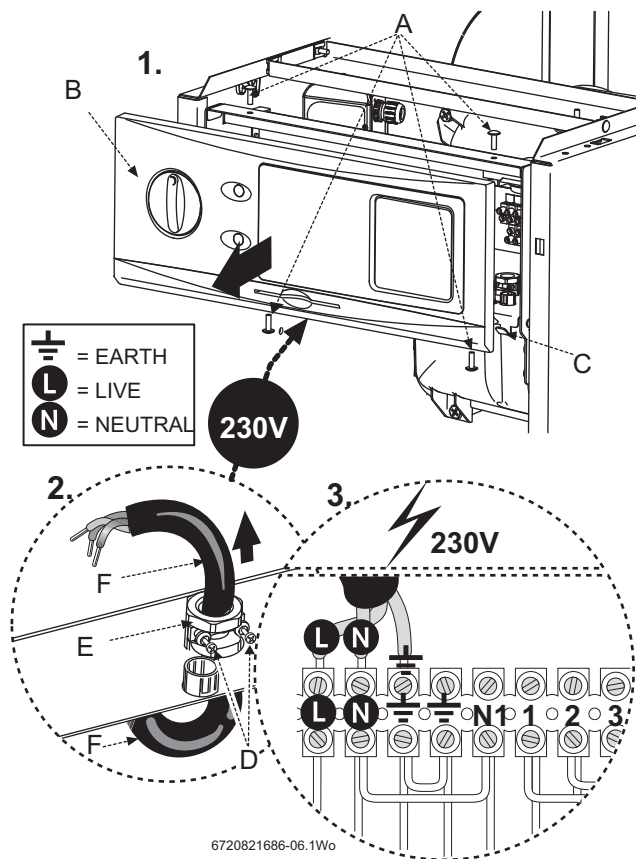


Fig. 56

**External 230V programmer**

4. Remove link (G).  
▶ Connect wires as shown.

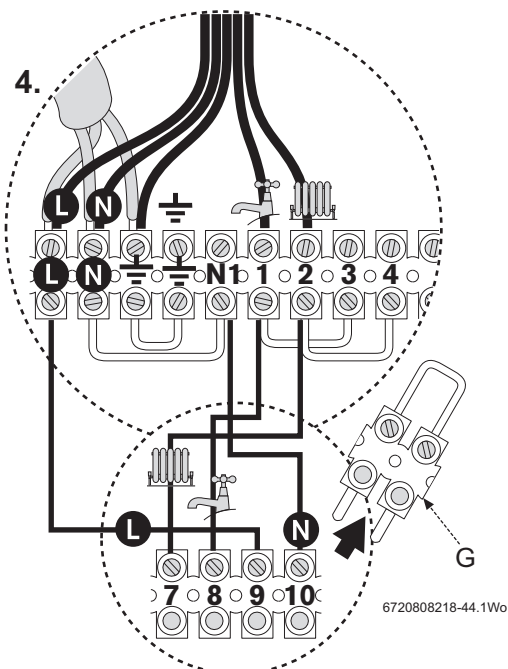


Fig. 57

**Optional Worcester 230V programmer**

5. Remove blanking plate (H).  
▶ Set the pin on the rear of the programmer to 'pumped'.  
▶ Remove link (G) from connection 8 and 9.  
▶ Clip the programmer (I) in position and connect programmer plug J into terminals 7 to 10.

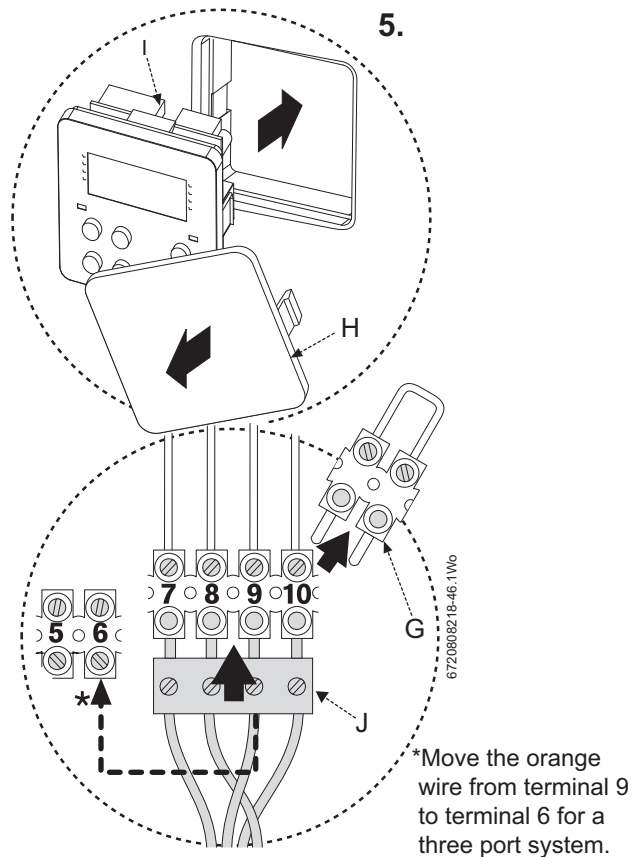
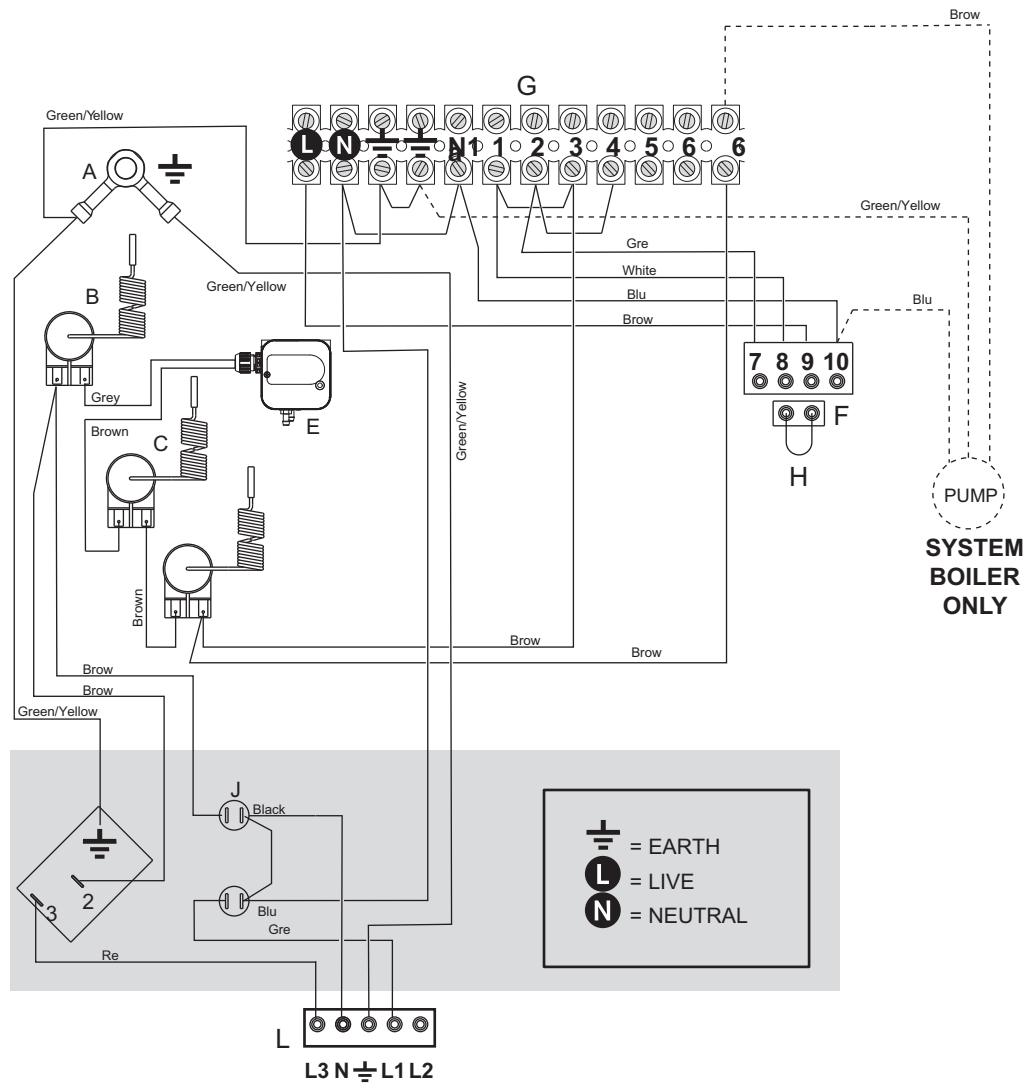


Fig. 58

- ▶ Refit fascia panel (B) to control box and secure with screws (A).

**230V Standard wiring diagram**



6720808218-47.2Wo

Fig. 59 230V Standard wiring diagram

**Key to components:**

- |   |                              |
|---|------------------------------|
| [A] Earth stud                              | [G] Terminal connector block |
| [B] High limit thermostat                   | [H] Link connector           |
| [C] Boiler manual reset overhear thermostat | [I] Control thermostat       |
| [D] Flue manual reset overhear thermostat   | [J] Demand neon              |
| [E] Air pressure switch                     | [K] Lockout neon             |
| [F] Internal programmer connection          | [L] Burner socket            |
|   | [M] Burner plug              |

Pre-wired remote 2 or 3 port valve control set using internal programmer

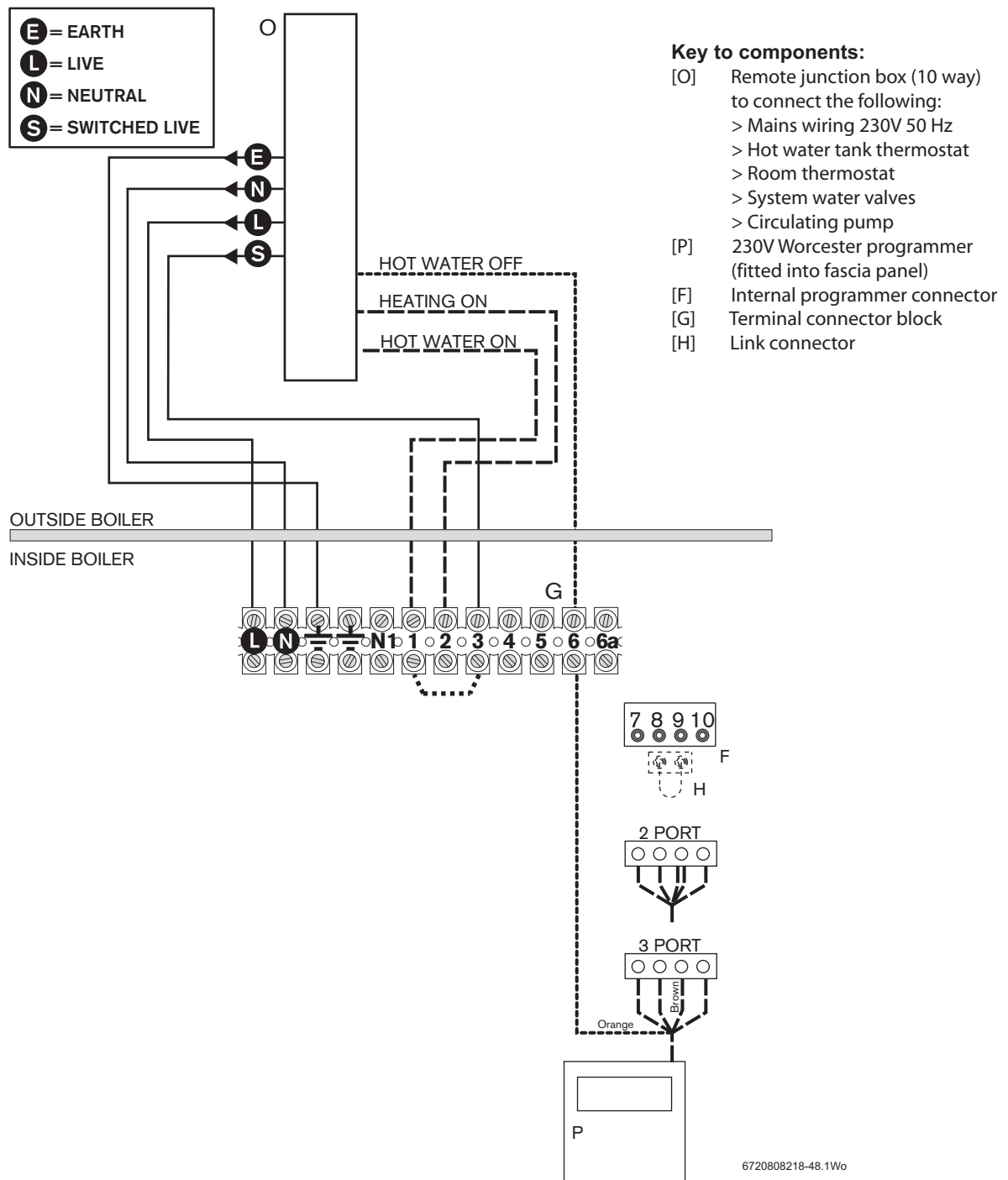


Fig. 60

**Remote 10 way junction box (O) requirements:**

- ▶ The junction box (O) must be a terminal block type, current rated to at least 5 amps.
- ▶ A 5 amp fuse must be fitted to the mains supply.
- ▶ The junction box (O) must be fitted externally to the boiler.
- ▶ Link 1 to 3 must be removed from the boiler terminal connector block (G).

**i** A frost thermostat can also be connected to the remote junction box if required.

**Internal programmer requirements, 2 & 3 port valve control sets**

- ▶ Set the pin on the rear of the programmer to 'pumped'.
- ▶ Remove the link plug (H).
- ▶ Connect the plug from programmer (P) into connector (F).

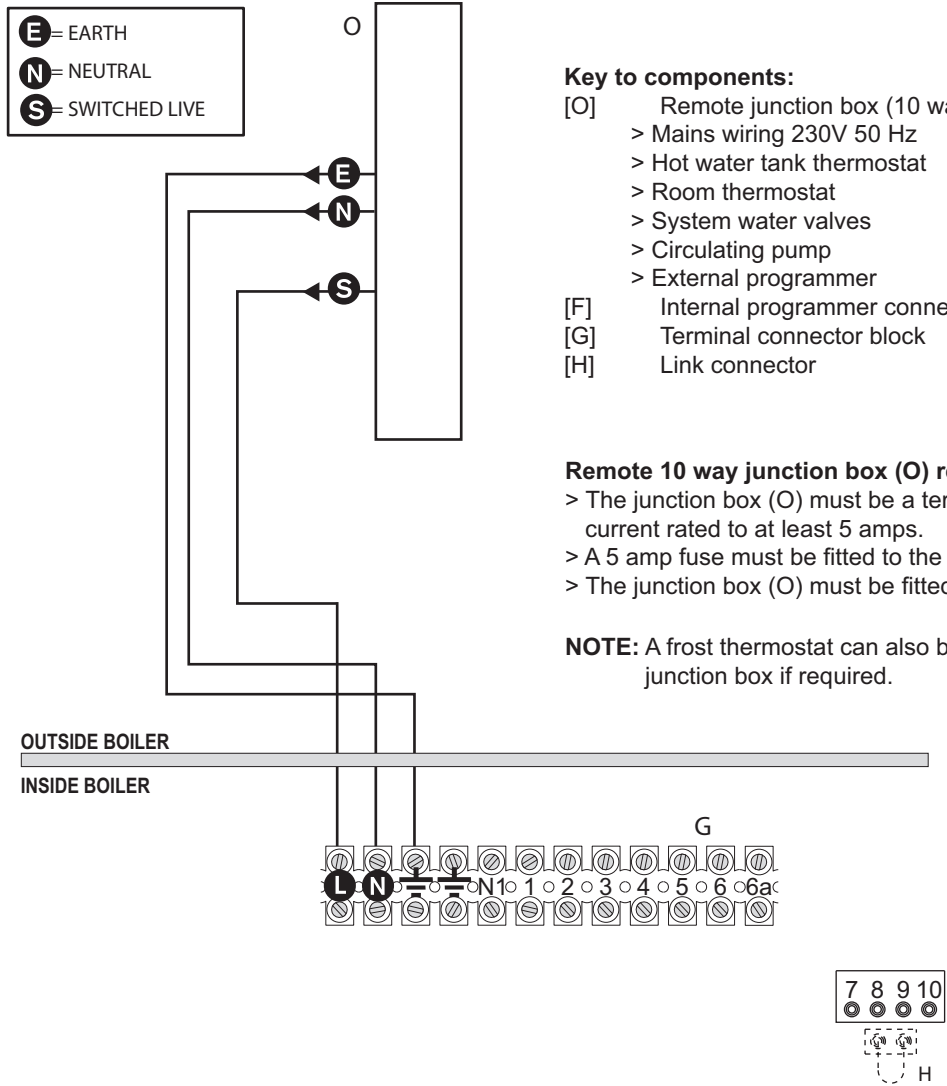
- ▶ Connect terminal 1 from the boiler terminal block (G) to the 'HOT WATER ON' at the remote junction box (O).
- ▶ Connect terminal 2 from the boiler terminal block (G) to the 'HEATING ON' at the remote junction box (O).

**Internal programmer requirements, 3 port valve control sets**

**i** A 3 port valve control set also requires a live feed from 'HOT WATER OFF' switch position.

- ▶ Remove the orange wire from terminal 9 and pull back through the tie wraps. (Ensure that the brown wire is firmly secured in terminal 9).
- ▶ Connect the orange wire to terminal 6 on the boiler terminal block (G).
- ▶ Connect terminal 6 on the boiler terminal block (G) to the 'HOT WATER OFF' at the remote junction box (O).

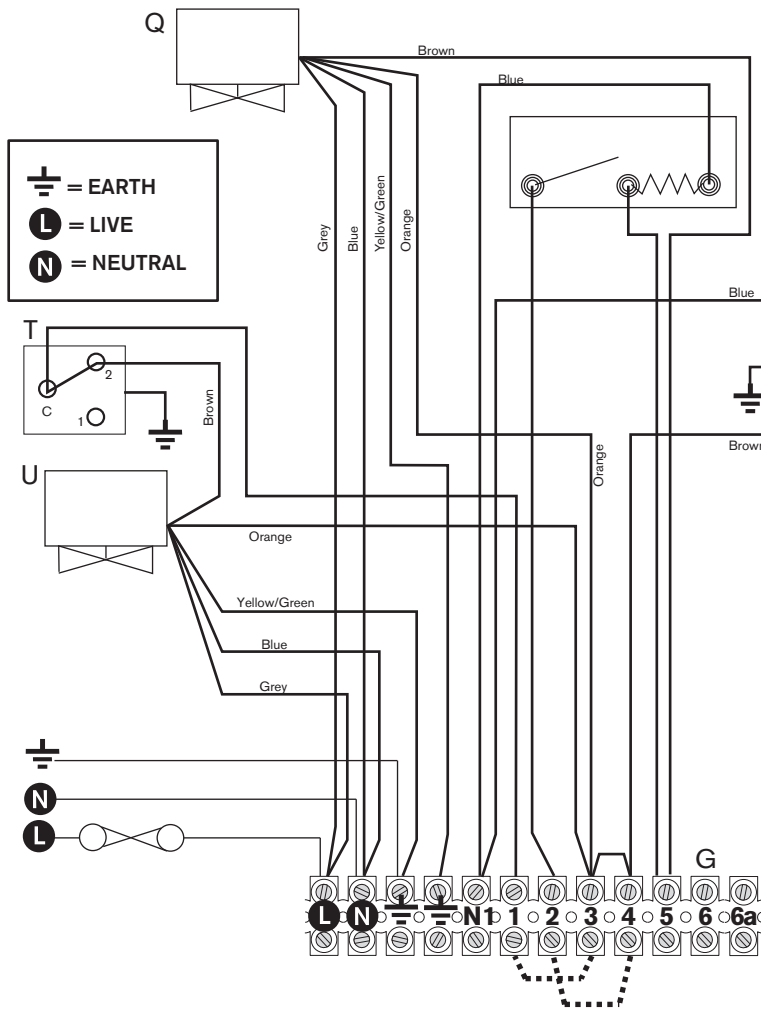
**Pre-wired remote 2 or 3 port valve control set using remote programmer**



6720808218-49.1W6

Fig. 61

2 Port valve control set



**Terminator connector block (G):**

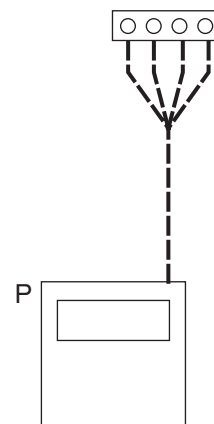
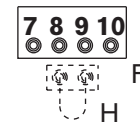
- > Remove link 1 to 3.
- > Remove link 2 to 4.
- > Make link 3 to 4.

**Optional 230V Worcester programmer (P):**

- > Set the pin on the rear of the programmer to 'pumped'.
- > Remove the link plug (H).
- > Connect the plug from programmer (P) into connector (F).

**Key to components:**

- [Q] CH Zone valve
- [R] Room thermostat
- [S] Circulating pump
- [F] Internal programmer connector
- [G] Terminal connector block
- [H] Link connector
- [T] Hot water cylinder thermostat
- [U] Hot water zone valve
- [P] Optional 230V Worcester programmer (fitted into the fascia panel)



6720808218-50.1Wo

Fig. 62

**3 Port valve control set**

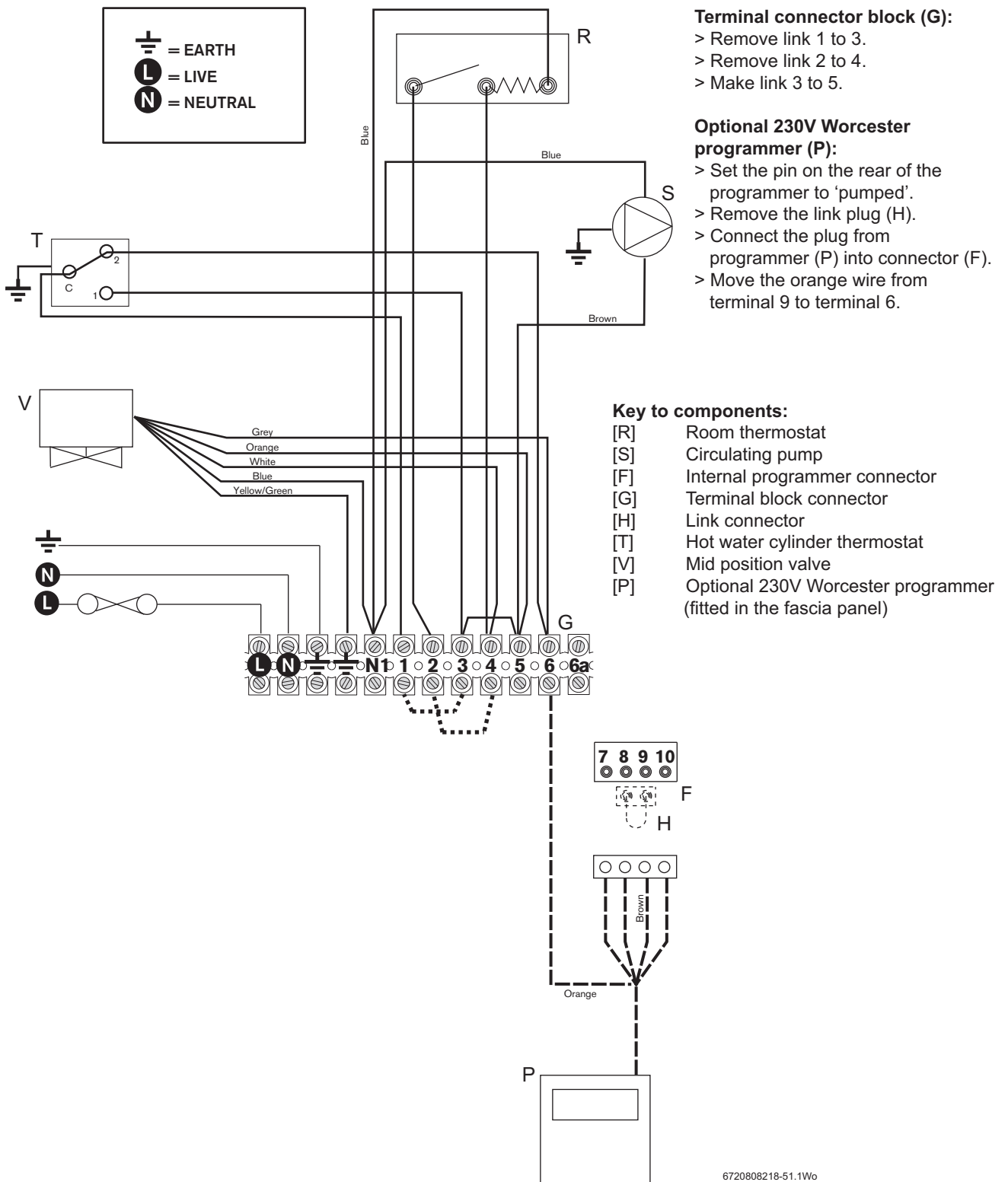


Fig. 63

6720808218-51.1Wo



## 6 Commissioning

### 6.1 Pre-Commissioning checks - 18/25 Regular shown

**CAUTION:** 230 Volts

- ▶ Isolate the mains electrical supply before starting any work and observe all relevant safety precautions.

1. Check that the service and water pipes are connected correctly.
  - ▶ Check that all unused sockets are capped.
2. Check that the oil supply is 28 second kerosene and that the pipework is connected correctly to the oil pump via the supplied flexible oil hose.
  - ▶ Check that the burner is seated correctly on its mounting flange and that the oil hose/s are routed correctly.  
See page 51, figure 95 for correct routing of the oil hose.
  - ▶ Turn on the main oil supply valve at the tank, check the oil supply pipework and connections. Rectify any leaks.
3. Check the flue is correctly fitted and the connections are secure.
4. Check the condensate pipework is correctly fitted and connected.
  - ▶ Check the condensate trap is filled with water.

**NOTICE:** If the boiler is not to be commissioned then:

- ▶ After successfully completing all of the checks and any rectification work, close the water valves, shut off the oil supply and electrically isolate the boiler.
- ▶ Complete the installation part of the Guarantee Registration Card, and complete a CD10 or equivalent to inform the LABC of the installation.
- ▶ Refit the top panel.

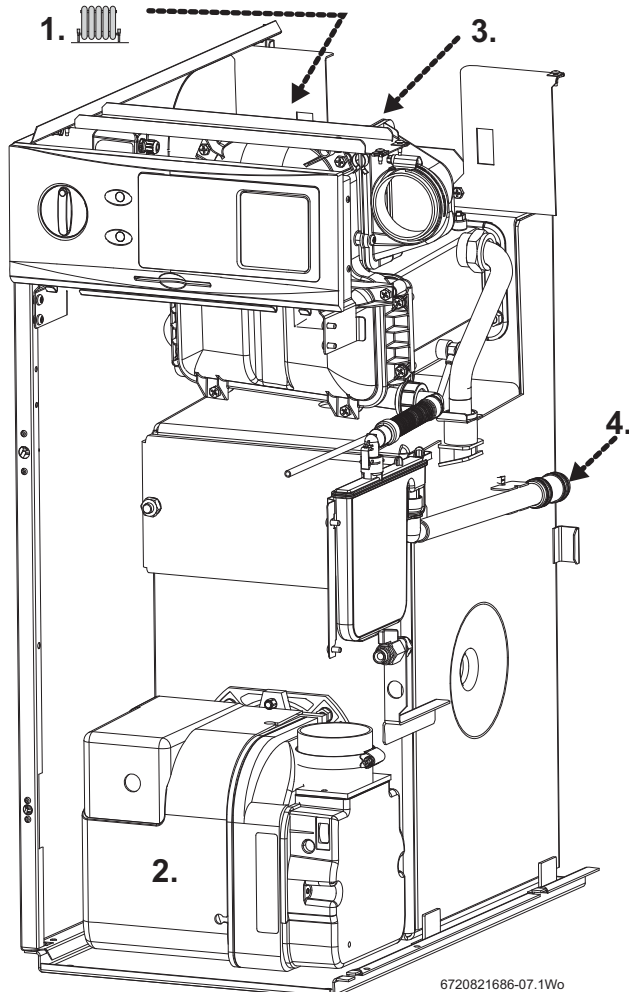


Fig. 64 Pre-Commissioning checks

### 6.2 Filling the system

- ▶ Open all system and radiator valves.
- ▶ Turn on the water main stop cock.
- ▶ Open vented systems only:
  - Turn on the water to the system feed and expansion cistern and allow the system to fill.
- ▶ Sealed systems only:
  - Check and if required, adjust the expansion vessel pressure using the Schraeder type valve.
- ▶ Fill the system to between 1 and 2 bar pressure via a WRAS approved filling link.
- ▶ Vent all radiators, retighten when completed.
- ▶ Monitor the pressure gauge during venting and repressurise if required.

**i System boiler only**

The charge pressure of the built-in 7 litre expansion vessel is 0.5 bar as supplied, which is equivalent to a static head of 5 metres. At 1 bar pressure the vessel will provide 92 litres expansion capacity, the boiler has a primary water capacity of 20 to 22 litres and therefore additional system expansion capacity may be required.

- ▶ If an extra expansion vessel is fitted to the central heating return, adjust this to the same pressure as the appliance internal expansion vessel, refer to separate instructions supplied with the extra expansion vessel.

- ▶ Check the system and correct any leaks.
- ▶ Bleed air from at least one of the secondary heat exchanger air vents (a radiator key is ideal for this). There are two venting bosses [1] on the top of the secondary heat exchanger. Only one can be used if fluing to the side.

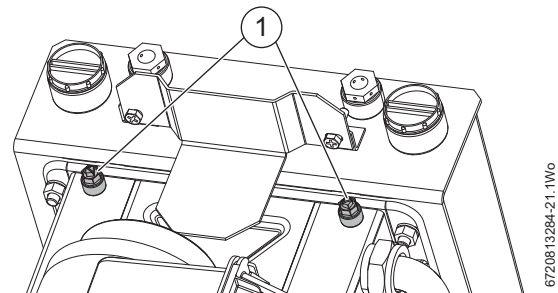


Fig. 65 Manual vent points

- [1] Manual vent points (each side of the secondary heat exchanger).

### 6.3 Water treatment

**NOTICE:**

- ▶ Salt based, softened water must not be used to fill the central heating system.

Ensure that the system has been cleaned. Refer to section 4.1.2 of these instructions.

#### Flushing (Central Heating)

- ▶ Ensure the appliance is switched off.
- ▶ Open all drain cocks and drain the system while the appliance is hot.
- ▶ Close drain cocks and add a suitable flushing agent at the correct strength for the system condition in accordance with the manufacturer's instructions.
- ▶ Run the appliance/system at normal operating temperature for the time stated by the manufacturer of the flushing agent.
- ▶ Drain and thoroughly flush the system to remove the flushing agent and debris.

#### Inhibitor (Central Heating)

- ▶ Check drain cocks are closed and all radiator valves are open before adding a suitable inhibitor or combined inhibitor/anti-freeze, if the system is exposed to freezing conditions, to the heating system water in accordance with the manufacturers instructions.

**i** The pH value of the system water must be between 6.5 and 8 or the appliance warranty will be invalidated.

- ▶ Fill system via a WRAS approved filling loop to between 1 to 1.5 bar.
- ▶ Vent all radiators; tighten vents when complete.
- ▶ Re-pressurise if necessary to 1bar.
- ▶ Set all controls to maximum.
- ▶ Record the date when the inhibitor was added to the system in the Boiler commissioning checklist and in the guarantee registration.

**NOTICE:**

- ▶ The concentration of inhibitor in the system should be checked every 12 months or sooner if system content is lost.
- ▶ In cases where all attempts to find a micro leak have failed, Worcester, Bosch Group supports the use of Fernox F4 leak sealer.

#### Water treatment products

Suitable water treatment products can be obtain from the following manufacturers:

|          |   |
|----------|---|
| ADEY     | 01242 546717 or www.adey.com                |
| FERNOX   | 0870 601 5000 or www.fernox.com             |
| SENTINEL | 0800 389 4670 or www.sentinel-solutions.net |

### 6.4 Starting the appliance

**NOTICE:**

- ▶ Never run the appliance when the appliance/system is unpressurised (sealed systems) or empty.

1. Check the oil supply is correctly fitted, pressure tested and in good working order before turning on the oil supply valves to the boiler.
- ▶ Turn on the main oil supply valve at the tank and draw off at least 2.5 litres of oil until a steady flow of clear uncontaminated oil can be seen as follows:
    - The oil supply to the boiler should be primed before the burner is operated to avoid unnecessary pump wear.
    - The use of an oil suction pump will prime and flush through any oil supply set up simply and easily, alternatively the following procedures can be used.

#### 6.4.1 Single pipe gravity feed system

- ▶ Disconnect the flexible oil hose and open the isolating valve to discharge the oil into a suitable container.
- ▶ If a top entry tank has been used the pipework will need to be primed before the oil will discharge under gravity.
- ▶ When completed, close the isolating valve, reconnect the flexible oil hose.

#### When the oil reaches the pump, bleed the air from the pump:

- ▶ Open the isolating valve and the oil pump bleed port [1] to discharge into a suitable container once the boiler is started up.
- ▶ Switch on the electricity supply to the boiler.
- ▶ Set the programmer to ON for CH and DHW.
- ▶ Turn on the boiler CH control thermostat.
- ▶ Allow the burner to run through to lockout .

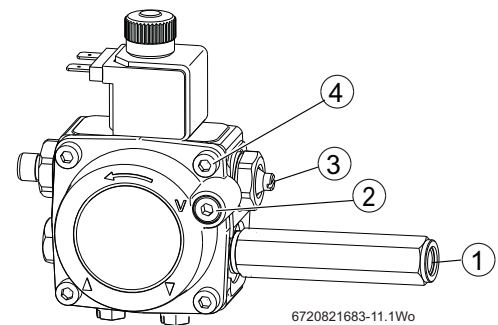


Fig. 66

- [1] Bleed and pressure gauge port
- [2] Vacuum gauge connection
- [3] Pressure adjuster
- [4] Cover retaining screws x4

#### If no oil comes out of the port valve A, then re-prime the oil line as detailed above

- ▶ Wait two minutes then press the lockout reset button [J].
- ▶ Repeat the procedure until a steady stream of oil, without air, runs from the bleed port, then lock bleed port [A].
- ▶ Switch off the boiler.

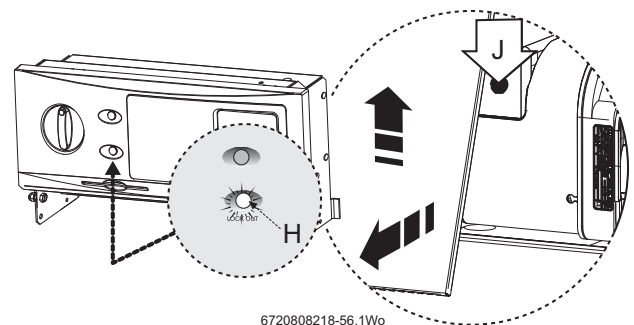


Fig. 67

#### 6.4.2 Double pipe sub-gravity feed systems and single pipe suction lift with de-aerator:

Prime the oil supply pipework to prevent oil pump damage.

- ▶ To prime a de-aerator [2], disconnect the flexible oil inlet hose [7] from the isolation valve and place in a container of heating oil [6]. Connect a spare flexible oil hose [5], to discharge into container [6]. Open the isolating valve, turn on the power to the boiler and set the programmer to ON. Prime the de-aerator until there is a steady flow of oil into container [6]. Turn off the boiler then reconnect the flexible oil inlet hose [7].

- ▶ Turn on the boiler, set the programmer to ON and turn the room thermostat up to create a demand for heat.  
The oil level in the de-aerator will drop whilst the oil is being drawn from the tank. If the de-aerator empties and the burner locks out before the oil is drawn from the tank, you will have to prime the de-aerator again.

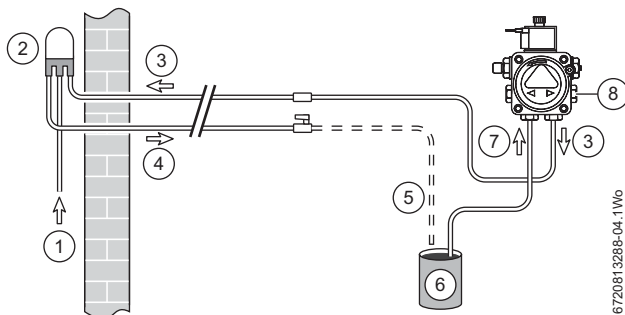


Fig. 68 Prime the oil supply pipework

- [1] Oil supply
- [2] De-aerator
- [3] Return
- [4] Flow
- [5] Spare flexible oil hose
- [6] Container of oil
- [7] Oil pump flexible inlet hose
- [8] Bleed and pressure gauge port

- ▶ Switch off the boiler.
- ▶ Safely dispose of the container/discharge.

#### 6.4.3 Pump adjustments

- ▶ Fit a suitable pressure gauge to port [3] on the oil pump.
- ▶ Switch on the boiler and set a heating demand.

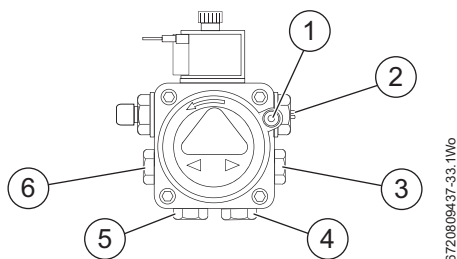


Fig. 69 Oil pump ports/connections

- [1] Vacuum gauge port
- [2] Pressure adjuster
- [3] Bleed and pressure gauge port
- [4] Return connection
- [5] Inlet connection
- [6] Auxiliary pressure gauge port

- ▶ Adjust the air shutter [3] → figure 70 and pump pressure [2] → figure 69 to the values shown in the table 10 on page 44.  
The burner should ignite following a pre-ignition period of approximately 15 seconds.
- ▶ If changing the burner output, check the position of the air damper disk [5] is correct to the output values shown in table 10.



Adjust position of air damper discs to suit burner output (see table 10 on page 44), located as shown in figure 70. Access by undoing the two screws [4] to release the air inlet cover.

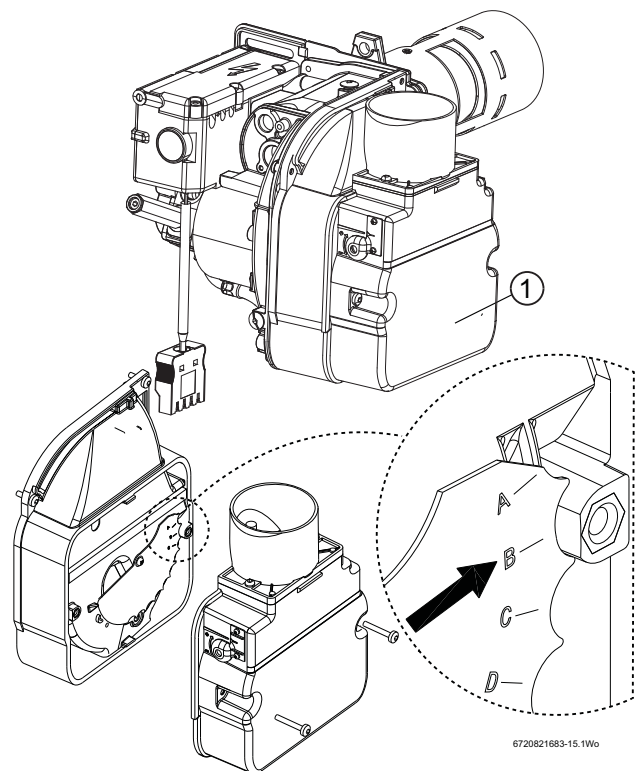
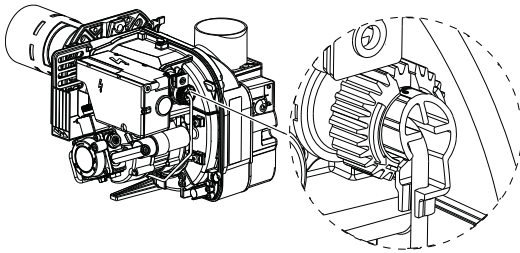


Fig. 70

- [1] Reset button
- [2] Blast tube
- [3] Air shutter adjuster
- [4] Captive screws air intake cover
- [5] Air damper disk

#### 6.4.4 Burner head setting

Adjustments to the burner head are made on the basis of the required output, refer to table 10 for the required setting for your boiler.

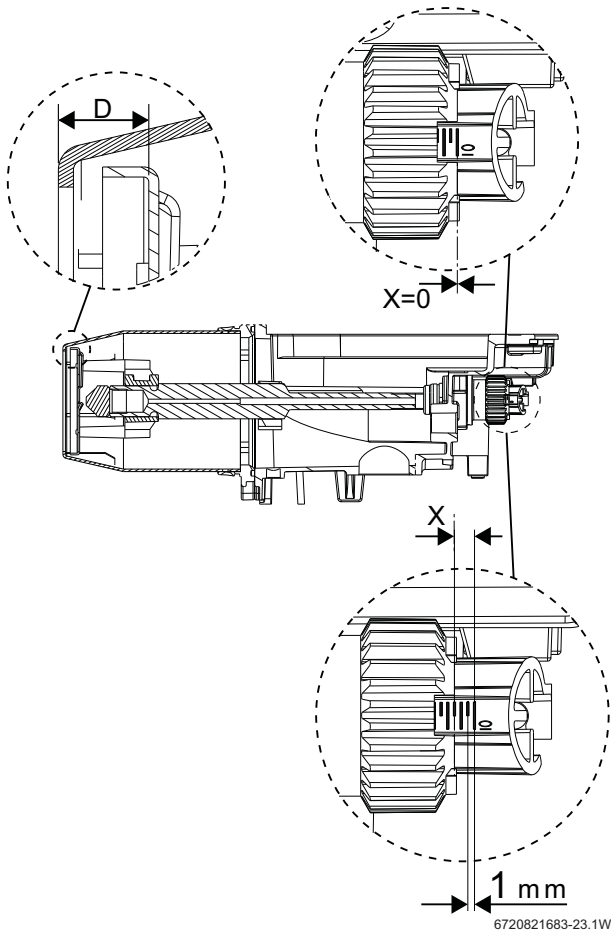


6720821683-24.1W0

Fig. 71 Burner head adjustment thumbwheel

One complete rotation clockwise (cw) from the minimum position equals approximately one millimetre. Adjust the thumb-wheel to achieve the setting indicated in the table 10, according to your appliance model and output.

Using an engineer's rule or vernier gauge measure from the lip of the blast tube to the inside of the break plate as show in the figure below. Ensure that the break plate is level, check at four equal points to get an average of the required setting. The setting tolerance should be no more than  $\pm 0.25\text{mm}$



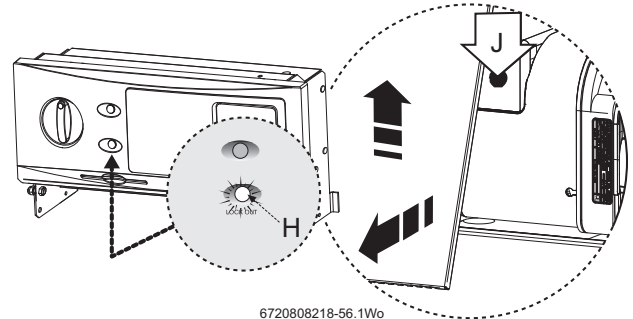
6720821683-23.1W0

Fig. 72 Burner head adjustment

#### 6.4.5 Boiler lockout indicator on

If the burner fails to establish a normal firing pattern or flame failure occurs the flame monitoring photocell mounted in the burner body will alert the burner control box to shut the burner down and provide a safe lockout state indicated by the illumination of the lockout indicator [H].

- ▶ Wait two minutes then press the lockout reset button [J] (→ figure 73) to initiate another start sequence.
- ▶ Repeat procedure until a flame is established.



6720808218-56.1W0

Fig. 73

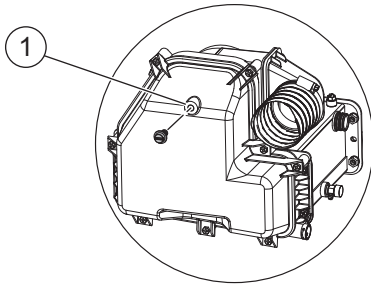
- ▶ Start and run for three minutes then switch off.
- ▶ Release the burner retainer nut.
- ▶ Remove the burner
- ▶ Check for after-spurting from the nozzle, indicated by oil saturation on the combustion head [2] → figure 75.

If after-spurting occurs:

- ▶ Remove the combustion head [2] → figure 75 and electrodes, hold the burner vertically to unscrew the nozzle and fill the nozzle holder with kerosene.
- ▶ Refit the nozzle, electrodes, combustion head [2] → figure 75 and the burner.
- ▶ Restart and run for three minute intervals until after-spurting stops.

### 6.4.6 Combustion checks

- ▶ Start and run the boiler for 20 minutes.
- ▶ Remove the sampling point plug [1] to check the smoke reading is between 0-1. If the smoke level is above 1, check the combustion settings are correct and the oil nozzle is in good condition.



6720809437-35.1Wo

Fig. 74



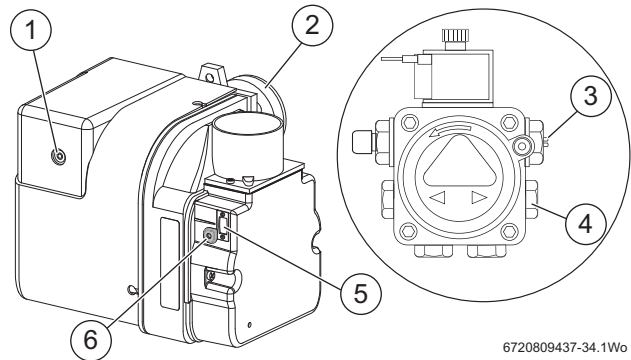
Smoke readings may be inaccurate until the smoke from the burning organic binder in the access door insulation has ceased.

- ▶ Check the CO<sub>2</sub> levels and adjust the air shutter [6] figure 75 setting according to the table opposite.
- ▶ Check the flue gas temperature is close to the values shown in the table 10 on page 44.



If the flue gas temperature is too high and the baffles are correctly fitted, then reduce the oil pump pressure [3] fig. 75, 5-10 p.s.i. to compensate for nozzle variations. If the pump pressure has been changed, the CO<sub>2</sub> levels must be rechecked and air shutter adjusted if necessary.

- ▶ Turn off the electrical supply.
- ▶ Isolate the oil supply to the burner.
- ▶ Remove the oil pressure gauge.
- ▶ Refit the blanking plug [4] figure 75.
- ▶ Check and rectify any oil leaks.
- ▶ Switch on the oil supply.
- ▶ Switch on the electrical supply.
- ▶ Restart the boiler and run for five minutes.
- ▶ Recheck the CO<sub>2</sub> levels and if required, adjust the air shutter setting [6] figure 75 to obtain the correct CO<sub>2</sub> level.
- ▶ Refit the sample point cap (hand tighten only, do not over tighten) and refit the burner cover.



6720809437-34.1Wo

Fig. 75

- [1] Lockout reset button
- [2] Combustion head
- [3] Pressure adjustment
- [4] Bleed and pressure gauge port
- [5] Air shutter display window
- [6] Air shutter adjuster



**APPLIANCE MUST BE SET TO CO<sub>2</sub> LEVELS.**  
**AIR SETTINGS GIVEN ARE APPROXIMATE ONLY, AS FLUE LENGTH AND NOZZLE VARIATIONS WILL AFFECT THIS.**

### Nominal boiler rating at normal operating temperature using Kerosene (Class C2)

| Nozzle                                 | Oil pump pressure |     | Fuel flow rate |      | Approx flue gas temp. |                  | Combustion head settings | Approx. air setting | Input (appliance) | Output (appliance) | Air damper disc setting | Flue damper required | Burner head             |
|--|-------------------|-----|----------------|------|-----------------------|------------------|--------------------------|---------------------|-------------------|--------------------|-------------------------|----------------------|-------------------------|
|  | bar               | psi | Kg/h           | l/h  | °C                    | %CO <sub>2</sub> | mm                       |                     | kW                | kW                 |                         |                      |                         |
| <b>Greenstar Danesmoor 12/18 model</b> |                   |     |                |      |                       |                  |                          |                     |                   |                    |                         |                      |                         |
| 0.40 x 80° EH                          | 8.5               | 123 | 1.12           | 1.38 | 67                    | 12.0             | 10.5                     | 2.3                 | 13.2              | 13.0               | A                       | Yes                  | BX & recirculation tube |
| 0.40 x 80° EH                          | 10.0              | 145 | 1.30           | 1.60 | 70                    | 11.5             | 11                       | 1.75                | 15.3              | 15                 | B                       | Yes                  | BX & recirculation tube |
| 0.50 x 80° EH                          | 10.0              | 145 | 1.54           | 1.90 | 80                    | 12.0             | 11.5                     | 2.5                 | 18.3              | 18.0               | C                       | Yes                  | BX & recirculation tube |
| <b>Greenstar Danesmoor 18/25 model</b> |                   |     |                |      |                       |                  |                          |                     |                   |                    |                         |                      |                         |
| 0.50 x 80° EH                          | 10.0              | 145 | 1.54           | 1.90 | 76                    | 12.5             | 12.5                     | 1.5                 | 18.3              | 18.0               | N/A                     | Yes                  | BX                      |
| 0.60 x 80° EH                          | 8.8               | 128 | 1.84           | 2.28 | 81                    | 12.5             | 14                       | 2.25                | 21.9              | 21.5               | N/A                     | Yes                  | BX                      |
| 0.65 x 80° EH                          | 9.5               | 138 | 2.15           | 2.66 | 90                    | 12.5             | 15                       | 3.25                | 25.5              | 25.0               | N/A                     | Yes                  | BX                      |
| <b>Greenstar Danesmoor 25/32 model</b> |                   |     |                |      |                       |                  |                          |                     |                   |                    |                         |                      |                         |
| 0.65 x 80° EH                          | 9.8               | 142 | 2.15           | 2.66 | 79                    | 11.5             | 19                       | 3.5                 | 25.5              | 25.0               | N/A                     | No                   | BX                      |
| 0.75 x 80° EH                          | 10.3              | 150 | 2.46           | 3.04 | 84                    | 12.0             | 19                       | 4.25                | 29.1              | 28.5               | N/A                     | No                   | BX                      |
| 0.85 x 80° EH                          | 10.0              | 145 | 2.78           | 3.44 | 85                    | 12.5             | 19                       | 4.75                | 32.7              | 32.0               | N/A                     | Yes <sup>1)</sup>    | BX                      |

Table 10 Combustion settings

1) Internal boilers with flues less than 4 metres



### 6.4.7 Central heating

1. Open all radiator valves.
  - ▶ Set room thermostat to maximum.
  - ▶ Set programmer to ON for CH, OFF for DHW (if applicable).
  - ▶ Turn the thermostat control (B) to max.

The demand indicator (A) should illuminate and the burner should be ON with the circulating pump.

- ▶ Ensure all radiators are heating up evenly and balance the system to the temperature difference required for the heating flow and return according to the heating load.

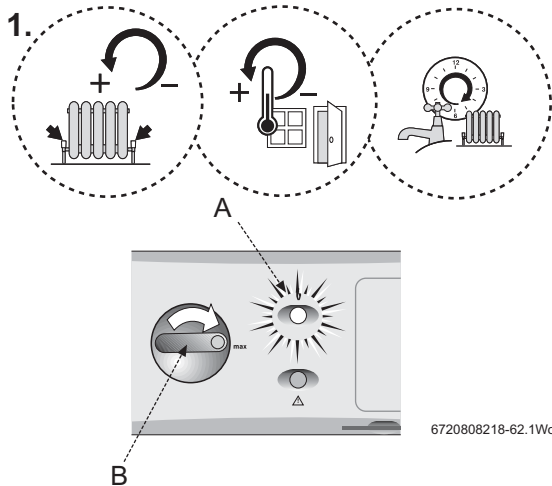


Fig. 76

2. Set the room thermostat to minimum. The demand indicator light (A), burner and circulating pump should be off.
  - ▶ Check that any other controls that are fitted to the system are operating properly.

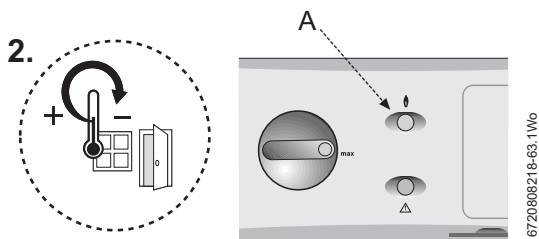


Fig. 77

### 6.5 Finishing commissioning

- ▶ Pivot the control box [1] up and into the boiler and tighten the pivot screws [2] on both sides of the control box.
- ▶ Replace the securing with screws [3] on both sides of the control box.

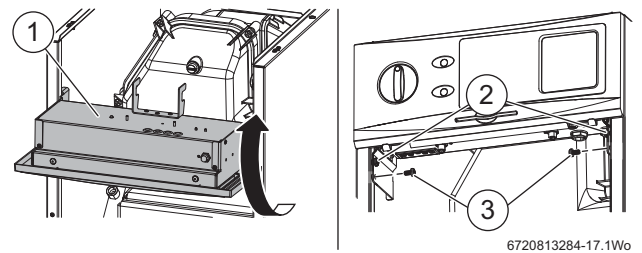


Fig. 78 Control box into operation position

#### Kitchen system only:

Refer to figure 79.

- ▶ Lift the expansion vessel [5] under the control box locating the rib into the retaining bracket [4] and move the base inwards and lower onto the support bracket [6].
- ▶ Align the expansion vessel bracket with the bracket on the cross member [6] and secure with the screw removed earlier.

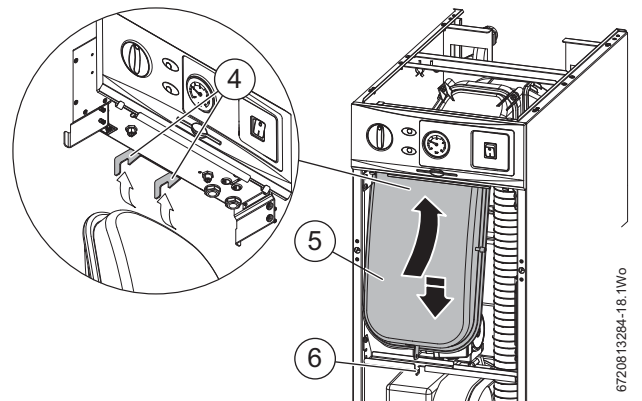


Fig. 79 Expansion vessel location

- ▶ Locate the rear edge of the top panel [7] into the rear brackets [8], the lower the panel at the front and push down to secure the ball stud connections. Remember always to apply pressure at the edges of the panels to avoid damage.
- ▶ Locate the top edge of panel [10] onto the supporting ledge [9] and secure near the top and at the bottom by gently pushing home the ball studs into the retaining slots.

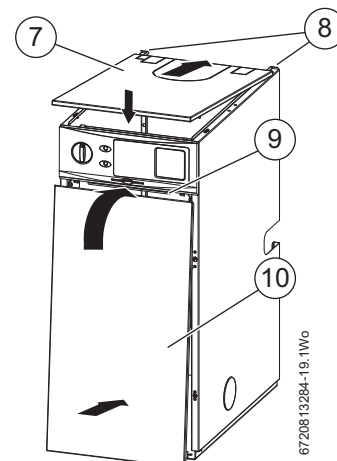


Fig. 80

### 6.5.1 Hand over

- ▶ Complete the Boiler commissioning checklist at the back of this manual and CD11 or an equivalent commissioning form.
- ▶ Set up the controls and show the customer how to operate all the controls shown in the User Guide plus any external controls.
- ▶ Instruct the customer on:
  - Sealed systems: The need to re-pressurise the appliance occasionally and the pressure expected at the pressure gauge.
  - Sealed systems: Location of the filling loop and system pressure gauge.
  - Sealed systems: The use of the filling loop and how to re-pressurise the system.
  - How to use the TRVs.
  - How to reset the appliance.
- ▶ Show the customer the fault finding information in the User guide.
- ▶ Show the customer where the serial number/appliance information is when they call in with a problem (Boiler commissioning checklist at the rear of the manual).
- ▶ Give the customer details of how to contact the installer/emergency numbers.
- ▶ Show the customer how to safely isolate the appliance.
- ▶ Advise the customer where they can find information on the Worcester, Bosch Group website [www.worcester-bosch.co.uk](http://www.worcester-bosch.co.uk).
- ▶ Advise the customer that the varying external temperatures will affect the output of the appliance, especially the DHW.
- ▶ Ensure that the User Guide and Installation, Commissioning and Service manual, with the Boiler commissioning checklist and service record, is left with the appliance or homeowner.
- ▶ If the appliance is unused and exposed to freezing conditions, shut off all the mains supplies and drain the system and appliance, label accordingly.
- ▶ Show the customer the location of the condensate pipe run for external/unheated areas that maybe at risk of prolonged cold temperatures.

### 6.5.2 Appliance guarantee

This appliance has a guarantee against faulty materials or workmanship for a period from the date of installation subject to the following terms and conditions:

- During the period of this guarantee any components of the appliance which are proven to be faulty or defective in manufacture will be exchanged or repaired free of charge by Bosch Thermotechnology Ltd.
- The householder may be asked to prove the date of installation, that the appliance was correctly commissioned and, where appropriate, the first year's service has been carried out to the satisfaction of Bosch Thermotechnology Ltd., when requested. These should be documented as a part of the Boiler commissioning Checklist.
- The appliance has been used only for the normal domestic purposes for which it was designed.

This guarantee does not affect your statutory rights.

### Guarantee registration

Your Greenstar appliance carries a guarantee against faulty material or manufacture subject to Terms and Conditions.

Guarantee Registration can be completed:

- On-line
  - You can register on our website:  
[www.worcester-bosch.co.uk/guarantee](http://www.worcester-bosch.co.uk/guarantee)
- By phone
  - You can register by ringing 0330 123 2552
- By post
  - Please send your completed form to:  
Worcester, Bosch Group, Cotswold Way, Warndon, Worcester, WR4 9SW.

To read the full Terms & Conditions please visit us on-line at [www.worcester-bosch.co.uk/guarantee](http://www.worcester-bosch.co.uk/guarantee).

Your statutory rights are not affected by the manufacturer's guarantee.



## 7 Service and Spares

### 7.1 Inspection and service - 18/25 Regular shown

**CAUTION: MAINS SUPPLIES**

▶ Isolate the water, electricity, and oil mains supplies before starting any work and observe all relevant safety precautions.

#### Routine servicing

To maintain efficient boiler operation, the following should be carried out at least once a year, carry out a pre-service check and note any operational faults.

### 7.2 Pre-service checks

1. Pull front panel (A) forward from the bottom and near the top disengaging the ball studs from their connections (B) and lift off the ledge that runs along the bottom of the fascia to remove and store safely away from the working area.

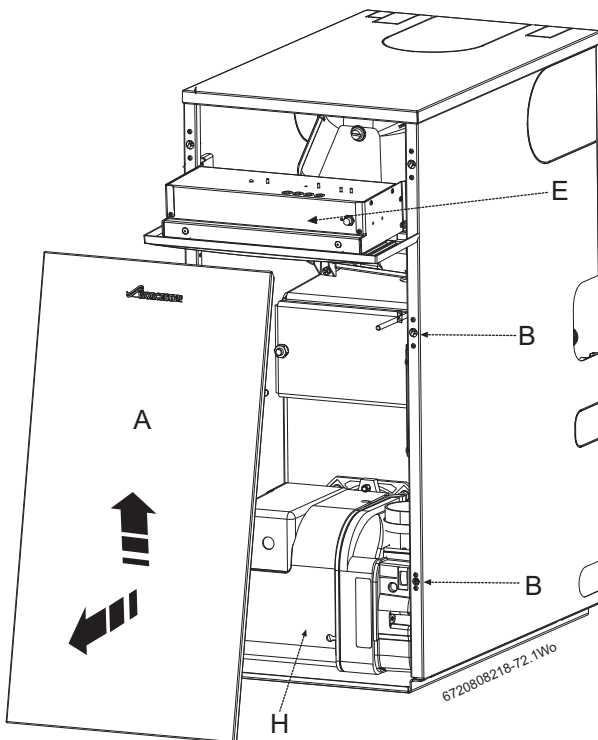


Fig. 81 Access to internal components

#### Kitchen system only:

- ▶ In the case of the Kitchen system boiler, remove the retaining screw [1] at the base of the expansion vessel.
  - ▶ Pull the expansion vessel forward slightly and down to remove. Place expansion vessel outside of the boiler, taking care not to kink or stretch the flexible hose.
2. Remove securing screws (D) from each side of control box (E).
  - ▶ Lower the control box (E) down into the service position as shown. Operate the appliance and system and note any faults which may need to be corrected during the service.
  - ▶ Switch off and electrically isolate the boiler.

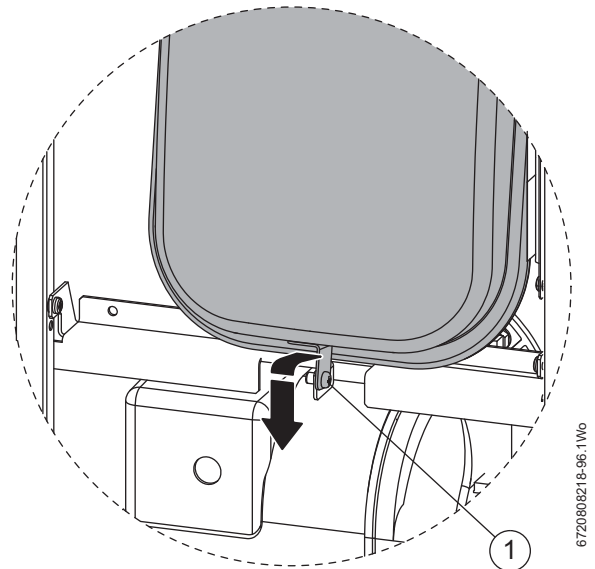


Fig. 82 Expansion vessel removal

3. Unplug burner lead (F) from control box.

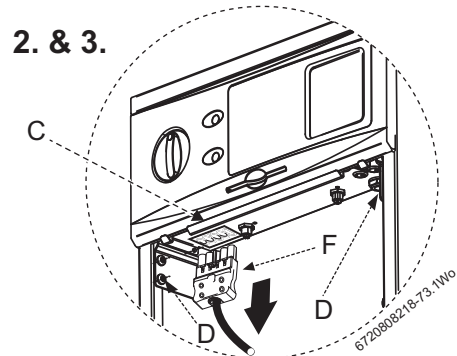


Fig. 83 Burner lead

4. Loosen clip (G) to detach air duct pipe from burner.
  - ▶ Unscrew burner retainer nut (I) and gently pull burner forward so that the retainer (J) is free of the lug (K).

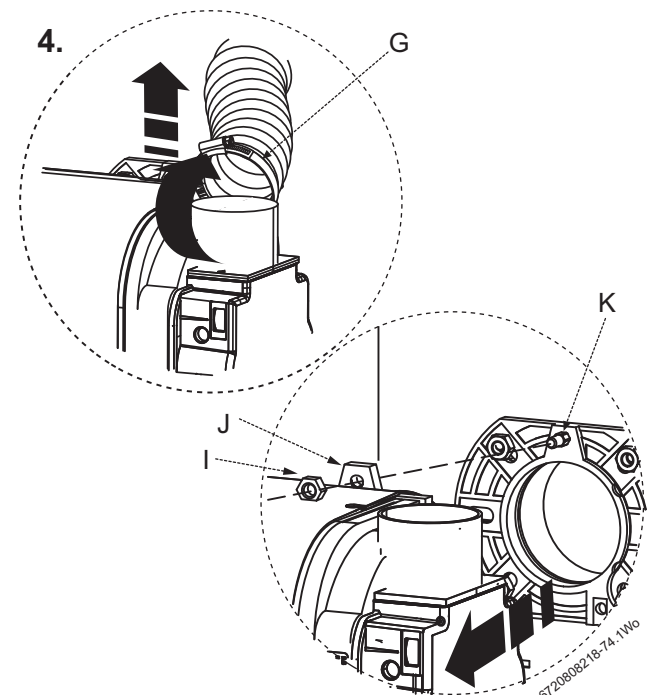


Fig. 84 Burner removal

### 7.3 Service requirements

See the following instructions for detail of some of the service requirements listed below:

- ▶ Check and clean the burner.
- ▶ Replace the burner nozzle and flexible oil pipe/s.
- ▶ Check and clean the baffle retainers.
- ▶ Check and clean the baffles.
- ▶ Check that the flue damper is correctly fitted, if required.
- ▶ Check and clean the heat exchangers surfaces.
- ▶ Check the combustion chamber access door insulation board.
- ▶ Check that the flue system is unobstructed and clean as necessary.
- ▶ Clean or replace all oil filters.
- ▶ Check that the condensate system is not obstructed, clean and refill the condensate trap.

### 7.4 Sealed system only

The PRV is a safety device and must be checked for correct operation. The expansion vessel pressure must also be checked and adjusted if required.

### 7.5 Clean the burner

- ▶ Remove the two hex head screws [1] and remove the air intake cover [2] and clear any debris from the air intake and air damper.
- ▶ Remove the four screws [3] and remove the suction inlet [4] to gain access to the fan.
- ▶ Clean both sides of the fan and suction inlet cover with a brush and compressed air.
- ▶ Check the condition of the gaskets between these parts and replace if necessary.
- ▶ Note the position of the air damper adjustment and check the air damper moves freely.
- ▶ Check that the fan rotates freely.
- ▶ Reassemble the components.

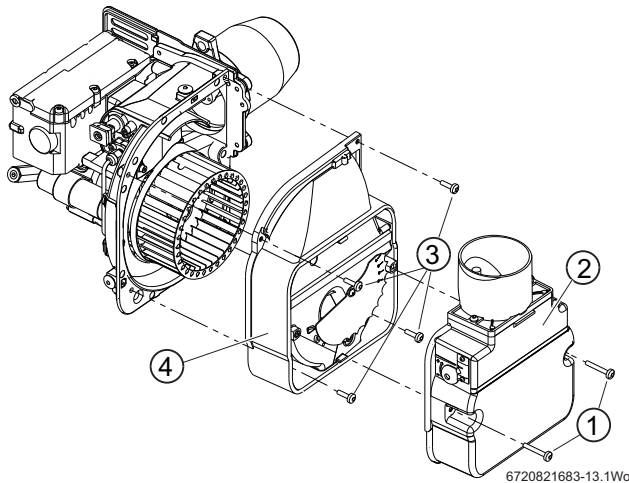


Fig. 85 Fan access

### 7.6 Oil burner nozzle

Before removing or fitting a new nozzle refer to figure 86:

- ▶ Remove the screws [1] from the blast tube [2] and remove the blast tube



There is a recirculation tube fitted to the 12/18 models, this does not need to be removed from the blast tube

- ▶ Unplug the HT leads [4]
- ▶ Loosen the screw [3] securing the break plate [5] and slide the unit off
- ▶ Use a suitable spanner to stop the nozzle body turning
- ▶ Remove the nozzle [8] and secure the new nozzle, hand tight
- ▶ Tighten the nozzle utilising the two spanners used during removal, do not overtighten
- ▶ Refit the break plate ensuring that the photocell and the break plate [5] are aligned and secure with the screw [3] into the seating provided [7]
- ▶ Reconnect the HT leads [4]
- ▶ Refit the blast tube [2] and secure with the screws [1]

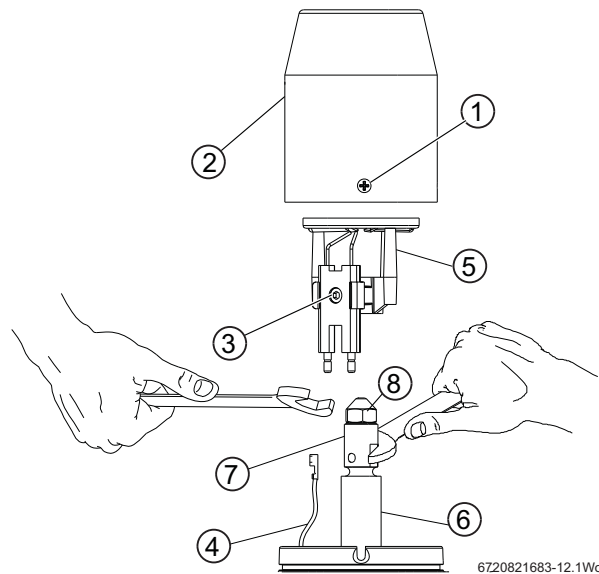


Fig. 86 Nozzle access

Refer to figure 51:

- ▶ Check that the nozzle [1] and the electrode [2] alignment settings are correct.
- ▶ Ensure that the nozzle [1] is aligned centrally within the combustion head [3].
- ▶ Inspect for any visible defects.

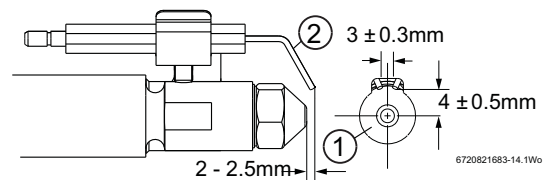


Fig. 87 Nozzle and electrode alignment

### 7.7 Pump filter

- ▶ Refer to figure 88 and remove the oil pump internal filter, clean in Kerosene and reassemble.

The internal filter is accessed by removing screws [1] and the oil pump cover [2].

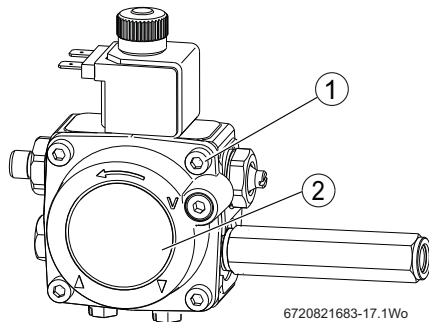


Fig. 88 Pump filter access

- ▶ Replace the standard flexible oil line/s at every annual service to prevent the possibility of leakage due to ageing.
- ▶ Reassemble the burner components.
- ▶ Check the O-ring seal located around the combustion head and replace if necessary. This seal must be in good condition, seal failure will cause flue gases to escape into the room.

### 7.8 External oil filter

- ▶ Remove the paper element from the external oil filter and replace it. If the filter contains a washable element, thoroughly clean in Kerosene and reassemble into the filter.

### 7.9 Combustion chamber - 18/25 Regular shown

- ▶ Release the M10 retaining nuts and washers (A) and remove baffle/combustion chamber access door (B).
- ▶ Check the fibreglass rope seal on the baffle/combustion chamber access door (B) and replace if necessary.
- ▶ Remove the one piece baffle set (C), clean and check the condition. Replace if considered to be badly corroded/degraded.
- ▶ Thoroughly clean all of the heat exchanger surfaces using a suitable brush and clear all loose debris from the combustion chamber.
- ▶ Check the condition of the baffle/combustion chamber access door insulation. If the insulation is damaged the door assembly must be replaced.
- ▶ Ensure one piece baffle set [C] is in the right location, correctly resting on the baffle rests [D] on either side of the combustion chamber and pushed securely into place. Baffle sets for the 18/25 and 25/32 boilers are identified with tabs on the front and rear edge
- ▶ Refit baffle/combustion chamber access door (B).
- ▶ Secure with nuts and washers (A) and tighten until the door is firmly secured. Do not over tighten the nuts.

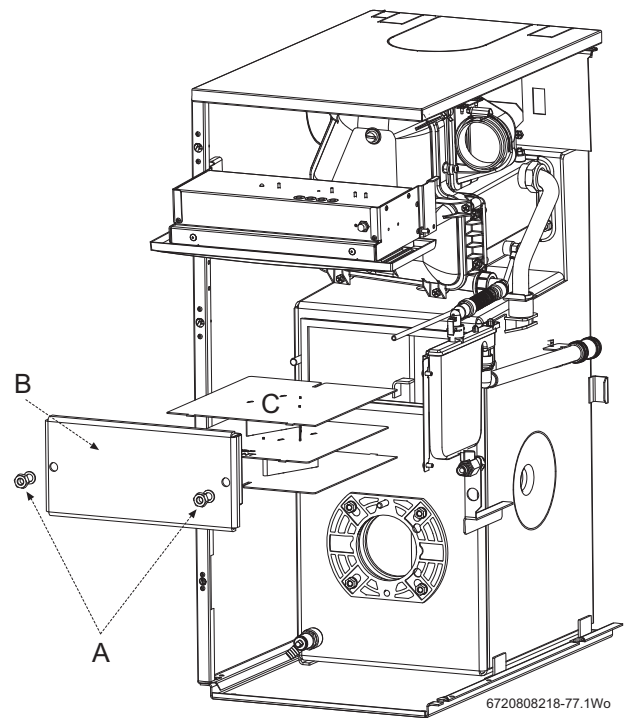


Fig. 89 Combustion chamber



18/25 and 25/32 baffle are identified with tabs on the front and rear edges

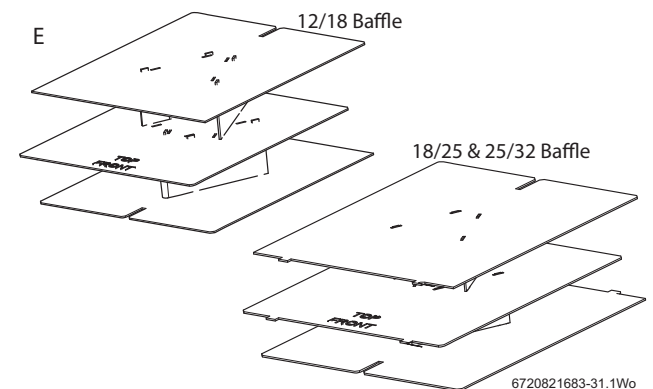


Fig. 90 Baffle arrangement

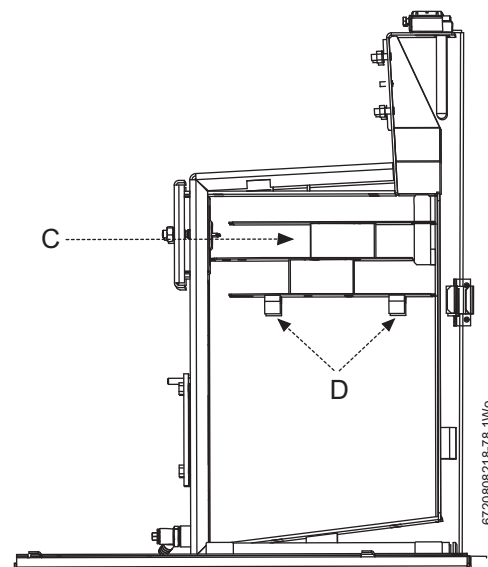


Fig. 91 Baffle positioning

### 7.10 Oil supply system and tank

- ▶ The oil pipeline, filters, fire valve and tank should be inspected and maintained in accordance with OFTEC regulations.

### 7.11 Clean the boiler - Manifold access

Refer to figures 92.

- ▶ Release screws [1] to remove the flue manifold access cover [2] and clear any debris.
- ▶ Check the flue system and clean if necessary.
- ▶ Remove the baffle retainer [3] and baffles [4] from the secondary heat exchanger.
- ▶ Check and clean the secondary heat exchanger surfaces.



Do not use wire brushes or cleaning agents to clean the stainless steel secondary heat exchanger components.

- ▶ Check the condensate route [5] is clear.
- ▶ The condensate trap [7] should be removed and cleaned.
- ▶ Release the pipe locking tab [8] and disconnect the flexible pipe [9] from the top of the trap and move the flexible pipe up away from the trap.
- ▶ Release the trap locking tab [10] and move the trap up and back to remove from its mountings.
- ▶ Clean the trap by flushing with water.
- ▶ Check the O ring seals and replace if necessary, grease the seals with a solvent free grease.
- ▶ Refit the trap making sure that the locking tabs are locked in place.
- ▶ Pour 500 ml of water into drain [5] to refill the condensate trap and check that the condensate discharge pipe is discharging.
- ▶ Clean the secondary heat exchanger baffles [4] if necessary and refit correctly.
- ▶ Refit the baffle retainer [3].
- ▶ Check and clean the flue damper, ensure that it is correctly fitted
- ▶ Check the seal on the manifold access cover [6] and replace if necessary.
- ▶ Refit the flue manifold access cover [2] and secure with screws [1].

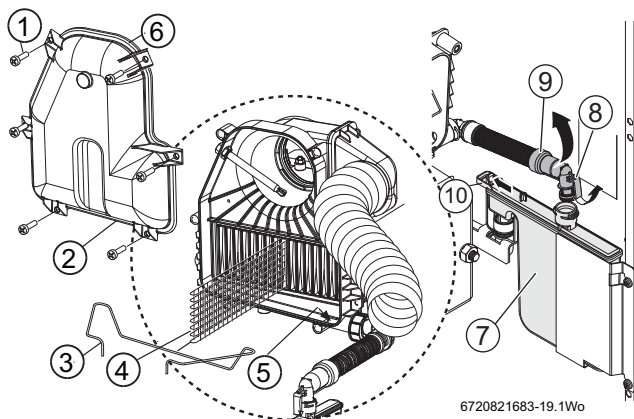


Fig. 92 Secondary heat exchanger and condensate trap detail

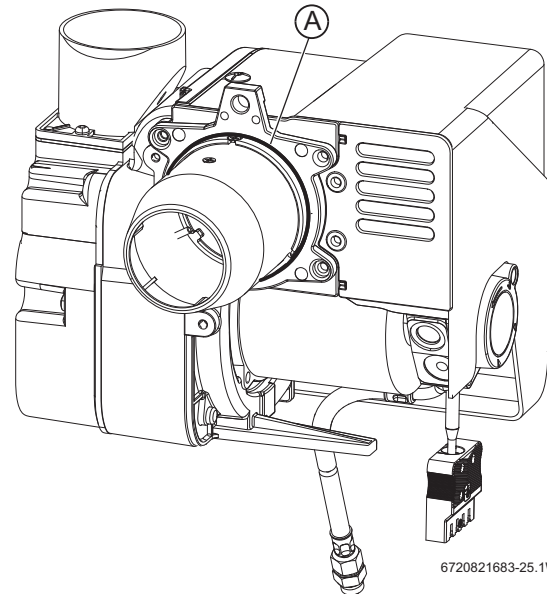
### 7.12 Re-commissioning the burner



#### WARNING: Flue gas leakage

The seal between the burner and the mounting flange must form a gas tight seal to prevent leakage of potentially dangerous gas from the combustion chamber.

- ▶ Unless the burner is level when pushing the burner into the flange the O-ring may not seat properly allowing flue gas to escape!
- ▶ Always check that the O-ring seal (Fig 93 item A) is in good condition before fitting the burner. Replace the O-ring seal if defective.

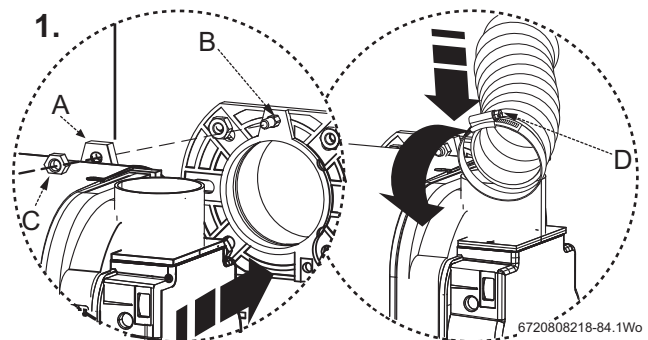


6720821683-25.1Wo

Fig. 93 18/25 and 25/32 Burner O-ring seal shown

Refer to figure 94:

1. Align burner combustion head into burner collar.
  - ▶ Locate the burner retainer [A] over the threaded lug on the collar [B], ensure that the burner is level and push the burner firmly onto the flange ensuring the O-ring seal is fully engaged. Support the burner in position and secure with the retaining nut [C]. Tighten sufficiently to hold the burner but do not over tighten.
  - ▶ Check that the burner is seated correctly on its mounting flange and that the oil hose/s are routed correctly as shown in Fig. 95 and not trapped in front of or underneath the burner.
  - ▶ Attach air duct pipe and tighten clip (D) to secure to the burner air intake.



6720808218-84.1Wo

Fig. 94 Refitting the burner

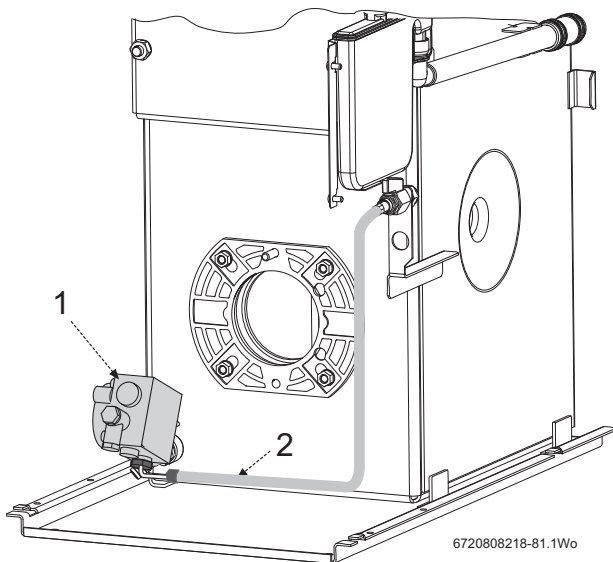


Fig. 95 Oil pump and hose detail

- [1] Oil pump
  - [2] Flexible oil hose route. Ensure that the rigid 90° connection at the pump points to right when the boiler is viewed from the front and the flexible hose follows the route as show in the figure above.
2. Swing control box back up into operating position and retain in place by replacing the two securing screws (E) in the bottom locations.
- ▶ Plug burner lead (F) into control box.
  - ▶ Connect an oil pressure gauge to the oil pump, run the burner and check the oil pressure is correct for the required boiler output. Check that the smoke reading is between 0 - 1. If above 1 check the air setting. If the air setting is correct check that the burner has been reassembled correctly.
- Allow the boiler to warm up then check the combustion settings are correct as indicated in table 10 on page 44, ensure CO<sub>2</sub> levels are correct. Adjust the air shutter if necessary see page 44, figure 75 for details.
- When the combustion is correct turn off the boiler, remove the pressure gauge and refit the blanking plug and plastic cover.
3. Locate the top edge of panel (G) onto the supporting ledge (H) and secure near the top and at the bottom by gently pushing home the ball studs into the retaining slots (I). Remember always to apply pressure at the edges of the panels to avoid damage.

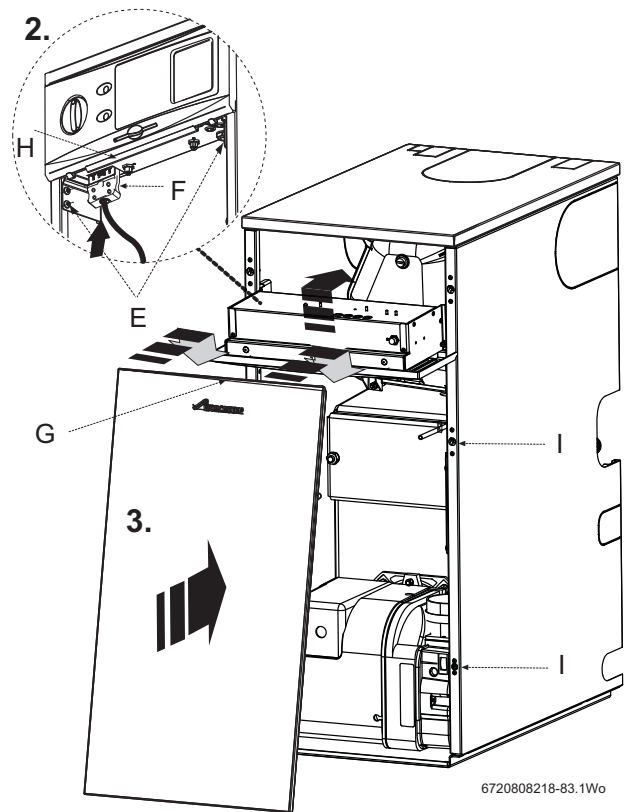


Fig. 96 Refitting panels

### 7.13 After service hand over

- ▶ Make a note of the date of any water treatment.
- ▶ Set the controls back to the users requirements.
- ▶ Complete the service interval record at the back of this manual and a CD11 or an equivalent form.
- ▶ If the appliance is unused and exposed to freezing conditions; shut off all the mains supplies, isolate the boiler and drain the system and boiler, including the secondary heat exchanger.

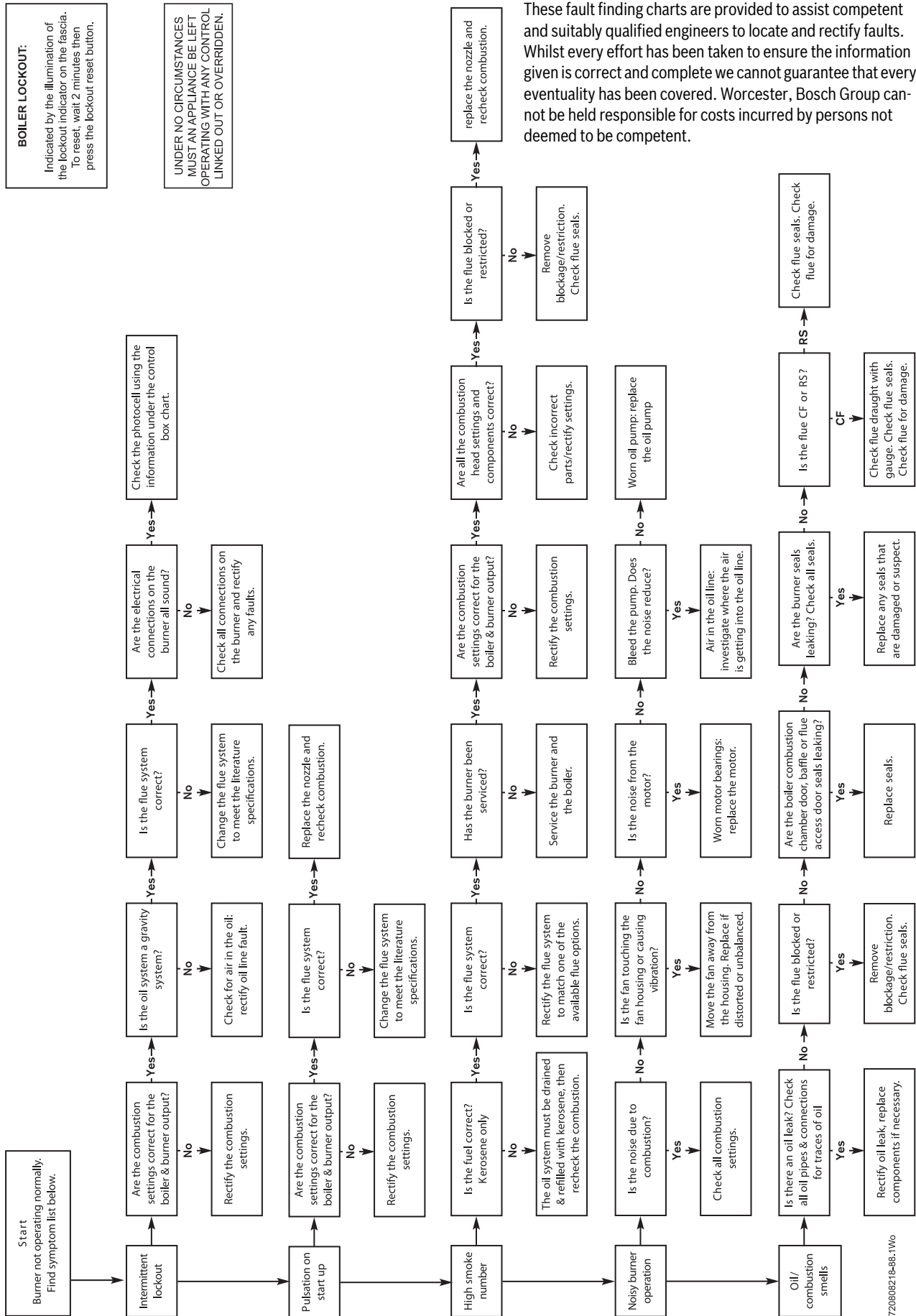
### 7.14 Spares

For Worcester Bosch spares refer to the the website at [www.worcester-bosch.co.uk/spares](http://www.worcester-bosch.co.uk/spares)



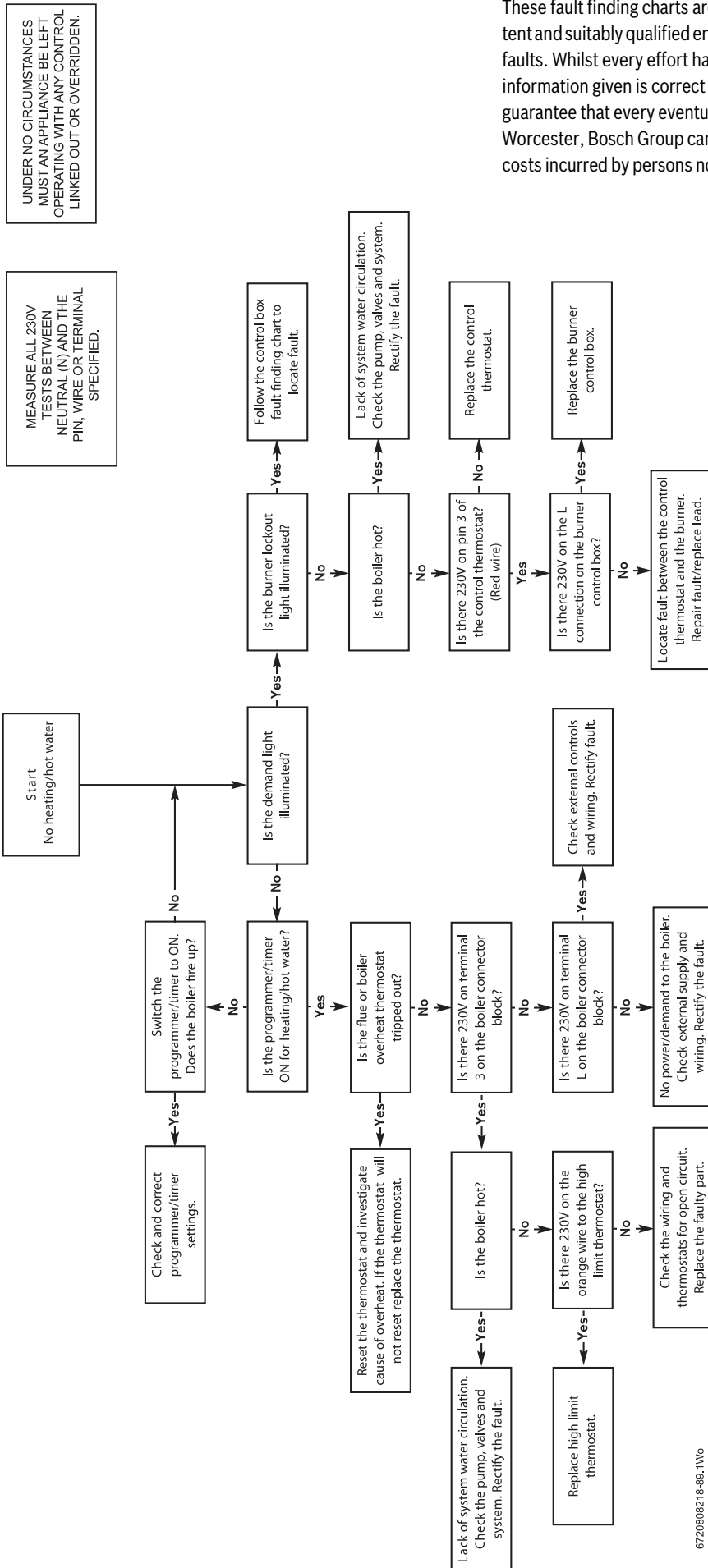
## 8 Fault finding and diagnosis

### 8.1 Burner functions



These fault finding charts are provided to assist competent and suitably qualified engineers to locate and rectify faults. Whilst every effort has been taken to ensure the information given is correct and complete we cannot guarantee that every eventuality has been covered. Worcester, Bosch Group cannot be held responsible for costs incurred by persons not deemed to be competent.

**8.2 Heating and hot water**

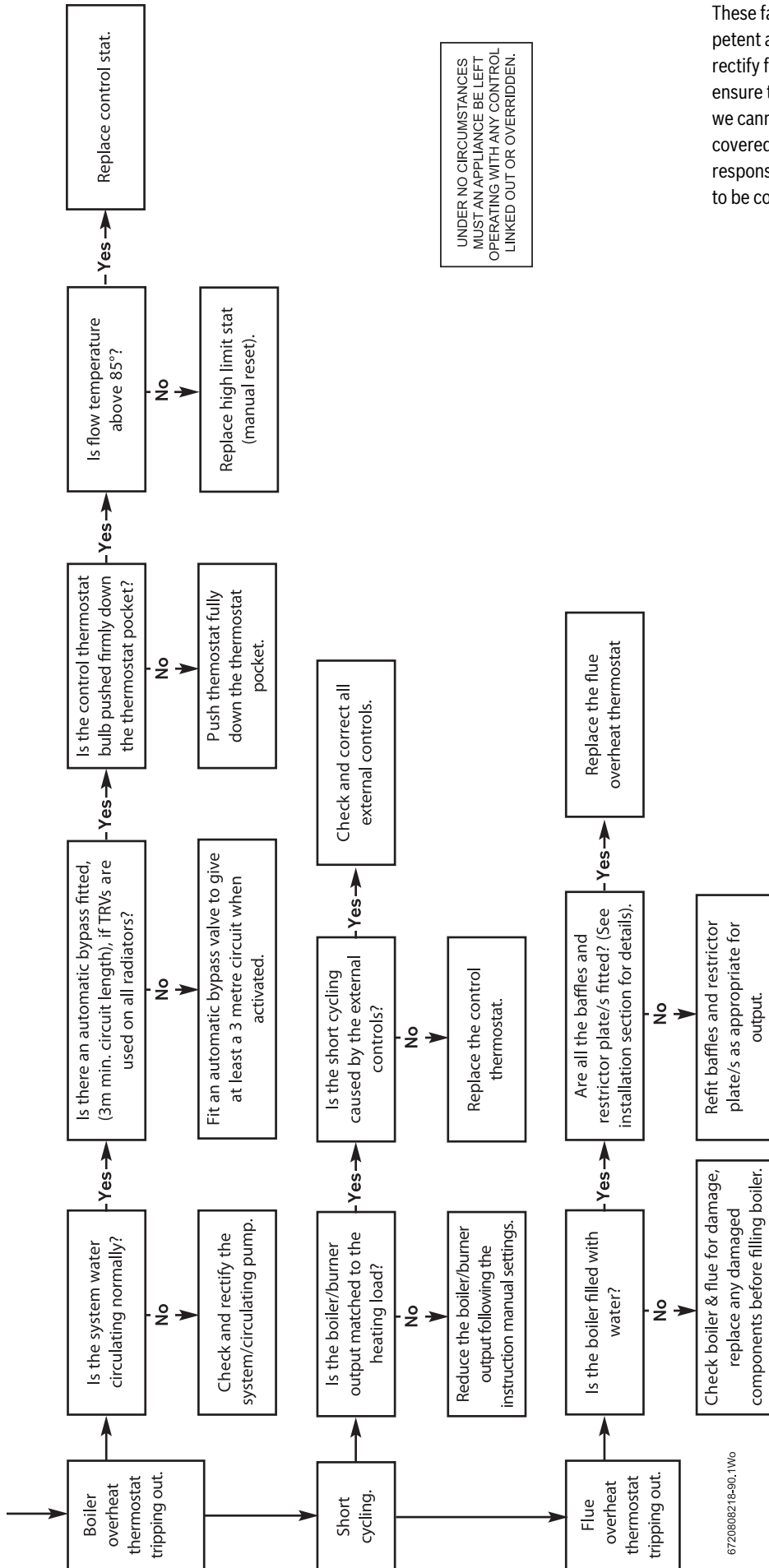


These fault finding charts are provided to assist competent and suitably qualified engineers to locate and rectify faults. Whilst every effort has been taken to ensure the information given is correct and complete we cannot guarantee that every eventuality has been covered. Worcester, Bosch Group cannot be held responsible for costs incurred by persons not deemed to be competent.

672080218-08.1W0



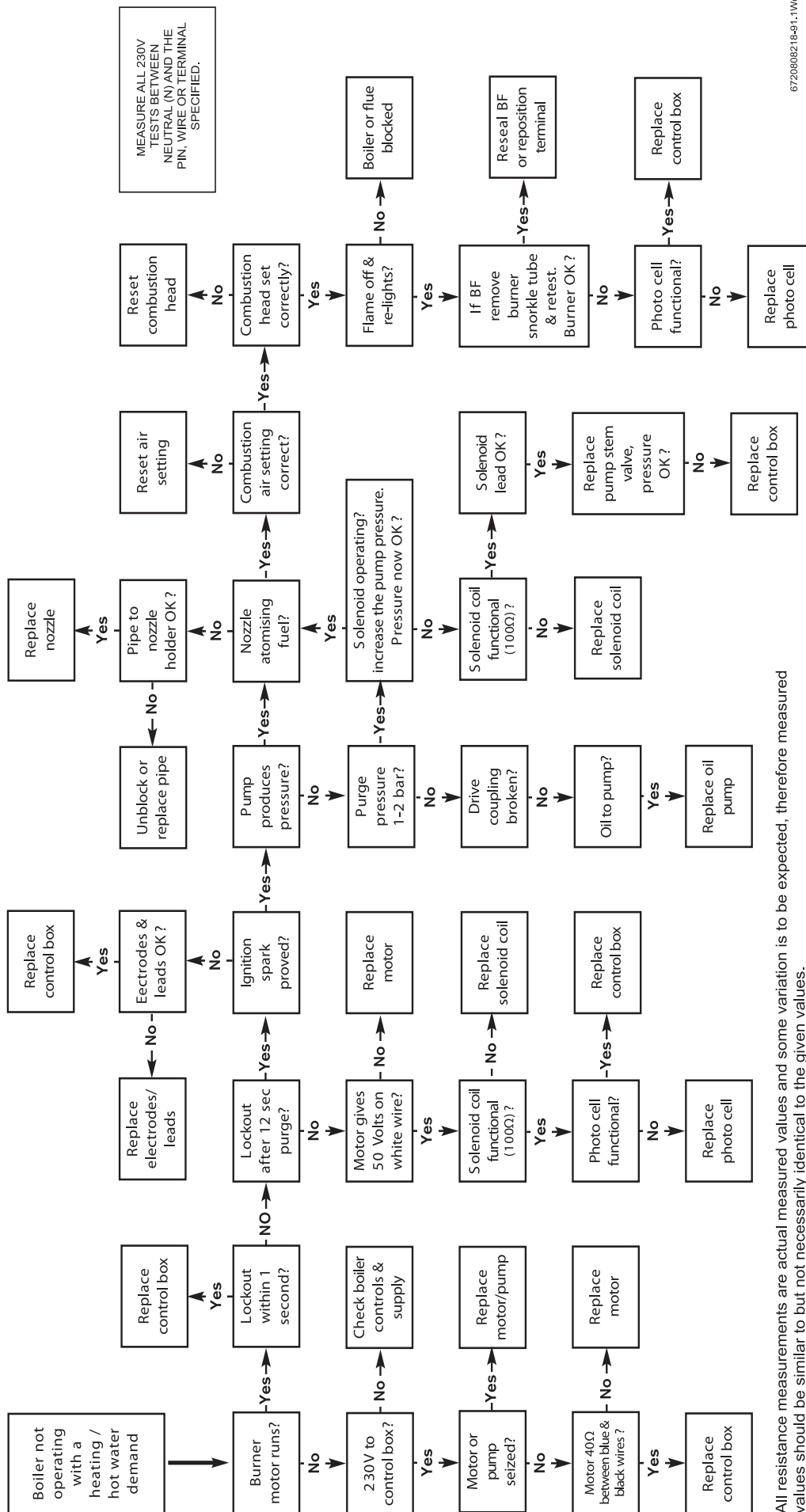
**8.3 Boiler function**



67208021/8-90, 1W0

These fault finding charts are provided to assist competent and suitably qualified engineers to locate and rectify faults. Whilst every effort has been taken to ensure the information given is correct and complete we cannot guarantee that every eventuality has been covered. Worcester, Bosch Group cannot be held responsible for costs incurred by persons not deemed to be competent.

**8.4 Logic for the 535 SE/LD RDB control box**



6720808218-91,11v0

All resistance measurements are actual measured values and some variation is to be expected, therefore measured values should be similar to but not necessarily identical to the given values.  
 The operation of the photo cell can be tested by measuring the resistance across the photo cell, it should be a high resistance (greater than 10MΩ or open circuit) in the dark and low resistance (3kΩ or less) in light.  
 Burners on balanced flue systems can recirculate flue products resulting in the burner cycling, if this happens check the flue system integrity and the terminal position.

## 8.5 Riello control box 12/18 model

### 8.5.1 Control box LED codes

| Lockout types (burner in lockout)   |                     |
|---|---------------------|
| Refer to Fault finding chart, section 8.5.2, go to line number on chart                               |                     |
| <b>RED steady ON</b><br>Lockout for no flame after safety time  | [3]                 |
| <b>RED 0.5 seconds ON/ RED 0.5 seconds OFF</b><br>Lock out for false flame signal                     | [5a]                |
| <b>RED 0.2 seconds ON /RED 0.2 seconds OFF</b><br>Lock out for maximum number of flame loss re-lights | [9]                 |
| <b>RED 2.5 seconds ON / ORANGE 0.5 seconds ON</b><br>Lock out for fan motor failure                   | [3d]                |
| <b>RED 2.5 seconds ON / GREEN 0.5 seconds ON</b><br>Lock out for oil valve circuit driver failure     | [8c]                |
| <b>ORANGE 0.5 seconds ON / GREEN 0.5 seconds ON</b><br>Lock out for EEPROM failure                    | Replace control box |
| <b>Red 0.5s ON / Red 2.5s OFF</b><br>Max pre-heat time exceeded (10 minutes)                          | [2]                 |

Table 11

| Anomaly types (Burner in stand-by)                          |                   |
|---|-------------------|
| <b>Green 0.5 s ON / Green 2.5 s OFF</b><br>Pre-heating time | Fit pre-heat link |

Table 12

| Anomaly types (Burner in stand-by)   |   |
|--|---|
| <b>Green 0.5s ON / RED 0.5s ON</b><br>Extraneous light                         | Lock out after 25s  |
| <b>Orange steady ON</b><br>Abnormal frequency supply                           | When an anomaly appears during:<br>▶ pre-purge. the burner remains in pre-purge.<br>▶ after ignition, burner remains in operation.<br>When anomalies disappear the burner re-starts |
| <b>Orange 0.2s ON / Green 0.2s ON</b><br>Control box internal error            |   |
| <b>Green 0.2s ON / Red 0.2s ON</b><br>Reset pushbutton or remote reset failure | Remote reset / pushbutton is activated for more than 60 seconds.<br>When anomaly appears the burner does not stop   |

Table 12

#### Last lockout memory feature

The control box allows the last lockout that happened to be displayed. Access to this function is possible in both STANDBY and OPERATING status.

- ▶ Keep the button pressed for 25 seconds =  $t < 30$  seconds
- ▶ Release the button.

LED displaying the type of lockout memorised for 10 seconds

The time displaying the type of lockout can be extended by pressing the reset button again during the display of the lockout (the lock out display continues for another 10 seconds)

### 8.5.2 Fault finding

| Line | Check   | Action  |                                  |                          |
|------|---|---|----------------------------------|--------------------------|
| 1    | Control box is supplied with heat demand?                                   | Yes   | Go to line 2                     |                          |
|      |   | No  | Check boiler and system controls |                          |
| 2    | Is the pre-heater fitted or if no pre-heater is fitted, is the link fitted? | Yes   | Go to line 3                     |                          |
|      |   | No  | Fit the Pre-Heater or link       |                          |
| 3    | Motor starts after initialization check time 3.5 seconds?                   | Yes   | Go to line 4                     |                          |
|      |   | No  | Go to line 3a                    |                          |
|      | 3a  | Green 0.5 seconds ON/Red 0.5 seconds ON before lockout? | Yes                              | Go to line 5a            |
|      |   |   | No                               | Go to line 3b            |
|      | 3b  | Fan motor or oil pump seized?                           | Yes                              | Replace seized component |
|      |   |   | No                               | Go to line 3c            |
|      | 3c  | 230 Volts to motor across blue and black motor wires?   | Yes                              | Go to line 3d            |
|      |   |   | No                               | Replace control box      |
| 4    | Motor runs for less than 12 seconds?  | Yes   | Go to line 4a                    |                          |
|      |   | No  | Go to line 5                     |                          |
|      | 4a  | Motor gives 50 Volts a.c. across black and white wires? | Yes                              | Replace control box      |
|      |   |   | No                               | Replace fan motor        |

Table 13

| Line | Check   | Yes   | No                                | Action                         |                            |
|------|---|---|-----------------------------------|--------------------------------|----------------------------|
| 5    | Burner does not fire, burner locks out after 25 seconds from motor start?                 | Yes   |                                   | Go to line 5a                  |                            |
|      |   | No  |                                   | Go to line 6                   |                            |
|      | 5a  | Burner fires when the photo cell is covered?                                  | Yes                               |                                | Remove extraneous light    |
|      |   |   | No                                |                                | Go to line 5b              |
|      | 5b  | Photo cell voltage $\geq 3.8V$ in the dark and approximately 0V in the light? | Yes                               |                                | Replace the control board  |
| No   |   |   |                                   | Replace the photo cell         |                            |
| 6    | Pump washing pressure 1 to 2 bar?   | Yes   |                                   | Go to line 7                   |                            |
|      |   | No  |                                   | Go to line 6a                  |                            |
|      | 6a  | Pump pressure more than 6 bar?  | Yes                               |                                | Replace oil pump           |
|      |   |   | No                                |                                | Go to line 6b              |
|      | 6b  | Check oil supply to the pump, if oil supply is OK                             | Go to line 6c                     |                                |                            |
|      | 6c  | Drive coupling broken?  | Yes                               |                                | Replace drive coupling     |
| No   |   |   |                                   | Replace oil pump               |                            |
| 7    | Ignition spark present?   | Yes   |                                   | Go to line 8                   |                            |
|      |   | No  |                                   | Go to line 7a                  |                            |
|      | 7a  | Are ignition leads and electrodes OK and set correctly?                       | Yes                               |                                | Replace control box        |
| 8    | Solenoid coil releases working pressure?  | Yes   |                                   | Go to line 9                   |                            |
|      |   | No  |                                   | Go to line 8a                  |                            |
|      | 8a  | Does burner light or green 0.5 seconds ON/red 0.5 seconds ON before lockout?  | Yes                               |                                | Go to line 5a              |
|      |   |   | No                                |                                | Go to line 8b              |
|      | 8b  | Contaminated fuel filters?  | Yes                               |                                | Clean/Replace filters      |
|      |   |   | No                                |                                | Go to line 8c              |
|      | 8c  | Coil lead OK  | Yes                               |                                | Go to line 8d              |
|      |   |   | No                                |                                | Replace solenoid coil lead |
|      | 8d  | Solenoid coil resistance 90 to 110 $\Omega$                                   | Yes                               |                                | Go to line 8e              |
|      |   |   | No                                |                                | Replace solenoid coil      |
| 8e   | After 15 seconds from motor start, 25 to 30 Volts d.c. to solenoid coil? (coil connected) | Yes   |                                   | Replace oil pump               |                            |
|      |   | No  |                                   | Replace control box            |                            |
| 9    | Air set correctly?  | Yes   |                                   | Go to line 10                  |                            |
|      |   | No  |                                   | Adjust combustion air settings |                            |
| 10   | Does the burner light?<br>Flue damper fitted? (if required)                               | Yes   |                                   | Go to line 11                  |                            |
|      |   | No  |                                   | Go to line 10a                 |                            |
|      | 10a   | Is the nozzle atomising the fuel?   | Yes                               |                                | Go to line 11              |
|      |   |   | No                                |                                | Go to line 10b             |
|      | 10b   | Nozzle new?   | Yes                               |                                | Go to line 10c             |
|      |   |   | No                                |                                | Replace nozzle             |
| 10c  | Check oil pipe from pump to nozzle holder   | Clean/ replace pump and fuel line filters                                     |                                   |                                |                            |
| 11   | Combustion head set correctly?  | Yes   |                                   | Go to line 11a                 |                            |
|      |   | No  |                                   | Reset combustion head          |                            |
|      | 11a   | Flame goes out then re-lights   | Yes                               |                                | Go to line 11c             |
|      |   |   | No                                |                                | Go to line 11b             |
|      | 11b   | Boiler or flue blocked  | Yes                               |                                | Clear blockage             |
|      |   |   | No                                |                                | Go to line 11c             |
|      | 11c   | If balanced flue, remove the snorkel and test - now OK?                       | Yes                               |                                | Go to line 11d             |
|      |   |   | No                                |                                | Go to line 11e             |
|      | 11d   | Balanced flues can recirculate gases causing recycling                        | Check the flue position and seals |                                |                            |
|      | 11e   | Photo cell voltage $\geq 3.8V$ in the dark and approximately 0V in the light? | Yes                               |                                | Replace the control box    |
| No   |   |   |                                   | Replace photocell              |                            |

Table 13

### 8.5.3 Flame sensing photocell 12/18 models

To check the correct functioning of the photocell, perform the following actions:

- ▶ Electrically isolate the burner
- ▶ Remove the photocell
- ▶ Connect a voltmeter across the blue and brown wires to the photocell
- ▶ Reconnect the power to the burner and wait until the burner locks out due to the false flame fault (red and green LEDs blinking)
- ▶ Cover the photocell to exclude any light and the voltmeter should read 3.8 Volts or higher
- ▶ Expose the photocell to light and the voltmeter should read approximately 0 Volts
- ▶ If these two conditions are not met, change the photocell
- ▶ Disconnect the voltmeter
- ▶ Disconnect the burner and replace the photocell

### 8.5.4 Flame sensing photocell 18/25 and 25/32 models

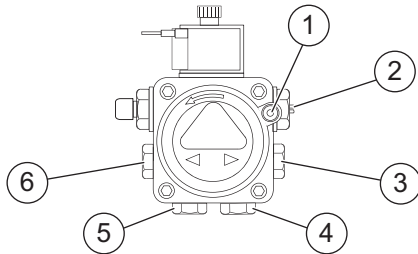
If the photocell is suspected to be faulty, replace the photocell.

### 8.6 Oil supply vacuum testing

A vacuum gauge can be attached to the oil pump vacuum test port [1] and the boiler operated to check the vacuum readings. Oil pumps can operate if readings are between plus 0.4 bar and minus 0.35 bar. This means oil tanks can be 4 metres higher (to top of oil) or 3.5 metres lower (if fitted with a de-aerator or two-pipe oil delivery system) than the oil pump.

If the vacuum is greater than minus 0.35 bar then you must also check that the oil supply is not obstructed and that the oil supply pipe is correctly sized.

Accessory 8-716-116-333-0 is available to assist in connecting a vacuum gauge to the vacuum test port.



6720809437-33-1Wg

Fig. 97 Oil pump ports/connections

- [1] Vacuum gauge port
- [2] Pressure adjuster
- [3] Bleed and pressure gauge port
- [4] Return connection
- [5] Inlet connection
- [6] Auxiliary pressure gauge port

### 8.7 Air pressure switch and flue overheat reset

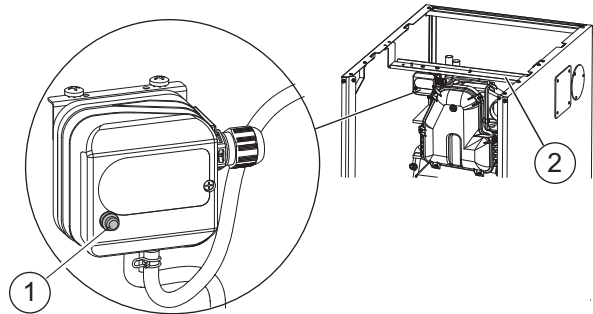
This is a blocking error that must be reset by pressing thermostat reset button or air pressure switch reset button.

If the flue-gas temperature exceeds the cut-off point or the flue is restricted, the appliance will lockout,

- ▶ Press the flue-gas thermostat reset button [3], located on the underside of the support bracket [2].

-or-

- ▶ Press the air pressure reset button [4], located on the underside of the support bracket [2].



6720821686-09-1Wg

Fig. 98

- [1] Air pressure switch reset
- [2] Boiler cross brace

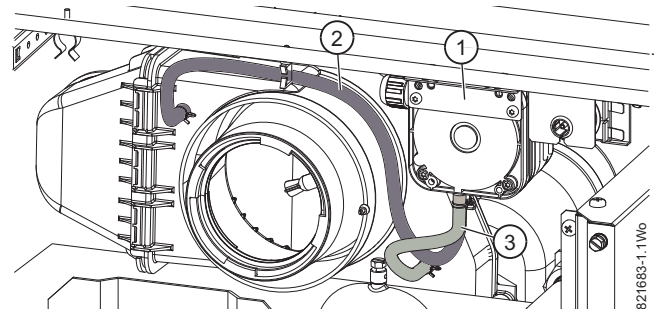
### 8.8 Air pressure switch connections

**NOTICE:** APS pressure sensing tubes

- ▶ Ensure that the pressure sensing tubes are not kinked or trapped when working on the boiler.
- ▶ Kinked or trapped tubes will prevent the APS from functioning correctly

**i** **Air pressure switch sensing tube connections:**

- ▶ Ensure that the sensing tubes are connected correctly, refer to figure 99



821689-1-1Wg

Fig. 99 Sensing tube connections

- [1] Air pressure switch
- [2] Air intake connection (front connection)
- [3] Flue exhaust connection (rear connection marked with a +)

### 8.9 Oil appliance commissioning checklist

This Commissioning checklist is to be completed in full by the competent person who commissioned the appliance as a means of demonstrating compliance with the appropriate Building Regulations and then handed to the customer to keep for future reference.



**IMPORTANT**

▶ Leave this manual with the Homeowner.

#### Appliance details

Appliance make and model: \_\_\_\_\_  
 Appliance serial number: \_\_\_\_\_

#### Commissioning Engineer

Company name: \_\_\_\_\_  
 Company address: \_\_\_\_\_  
 Telephone number: \_\_\_\_\_  
 Commissioned by (signature) \_\_\_\_\_  
 (print name) \_\_\_\_\_  
 Commissioning date: \_\_\_\_\_

#### Commissioning checks

|                           |                              |
|---------------------------|------------------------------|
| Oil type used is Kerosene | Yes <input type="checkbox"/> |
| Pump pressure             | PSI                          |
| CO <sub>2</sub>           | %                            |
| CO                        | ppm                          |
| CO/CO <sub>2</sub> ratio  |                              |
| Smoke reading             |                              |
| Flue gas temperature      | °C                           |
| Flue pressure             |                              |
| Burner model:             |                              |

#### Controls: Tick the appropriate boxes

|  |  |                          |                              |                          |
|--|--|--------------------------|------------------------------|--------------------------|
| Time and temperature control to heating  | Room thermostat and programmer/timer     | <input type="checkbox"/> | Programmable room thermostat | <input type="checkbox"/> |
|  | Load/Weather compensation                | <input type="checkbox"/> | Optimum start control        | <input type="checkbox"/> |
| Time and temperature control hot water   | Cylinder thermostat and programmer/timer | <input type="checkbox"/> | Combination boiler           | <input type="checkbox"/> |
| Heating zone valves                      | Fitted                                   | <input type="checkbox"/> | Not required                 | <input type="checkbox"/> |
| Hot water zone valves                    | Fitted                                   | <input type="checkbox"/> | Not required                 | <input type="checkbox"/> |
| Thermostatic radiator valves             | Fitted                                   | <input type="checkbox"/> | Not required                 | <input type="checkbox"/> |
| Automatic by-pass valve fitted to system | Fitted                                   | <input type="checkbox"/> | Not required                 | <input type="checkbox"/> |
| Boiler interlock                         |  |                          | Provided                     | <input type="checkbox"/> |

#### All Systems

The system has been flushed and cleaned in accordance with BS7593 and appliance manufacturer's instructions? Yes

What system cleaner was used? \_\_\_\_\_

What inhibitor was used? \_\_\_\_\_ Quantity  litres

Has a system filter been fitted? Yes  No

The condensate drain has been installed in accordance with the manufacturer's instructions and/or BS5546/BS6789? Yes

If the condensate pipe terminates externally has the pipe diameter been increased and weatherproof insulation fitted? Yes

#### Central Heating mode: Measure and record

|                                  |                         |                                    |                         |
|----------------------------------|-------------------------|------------------------------------|-------------------------|
| Central Heating flow temperature | <input type="text"/> °C | Central Heating return temperature | <input type="text"/> °C |
|----------------------------------|-------------------------|------------------------------------|-------------------------|

#### Domestic Hot Water mode: Measure and record Combination boilers only

Is the installation in a hard water area (above 200ppm)? Yes  No

If yes, has a water scale reducer been fitted? Yes  No

What type of scale reducer has been fitted? \_\_\_\_\_

|                              |                            |                              |                         |
|------------------------------|----------------------------|------------------------------|-------------------------|
| Cold Water Inlet temperature | <input type="text"/> °C    | Hot Water Outlet temperature | <input type="text"/> °C |
| Water flow rate              | <input type="text"/> l/min |                              |                         |

#### All installations

Fire valve fitted rated to 85 °C. Yes

Is the flue damper correctly fitted? Yes  No

Are the hoses from the Air pressure switch correctly routed and free from kinking? Yes  No

Is a solid non-combustible surface large enough to accommodate the appliance provided? Yes  No

Is the oil tank and supply clean and free from contamination? Yes  No

Does the installation comply with current OFTEC Regulation? Yes  No

The heating and hot water system complies with the appropriate Building Regulations? Yes  No

The appliance and associated products have been installed and commissioned in accordance with the manufacturer's instructions? Yes  No

The operation of the appliance and system controls have been demonstrated to and understood by the customer? Yes  No



### 8.10 Service interval record

It is recommended that your appliance is serviced annually and that the Service Interval Record is completed and signed.  
 Before completing the service interval record below, ensure that you have carried out the service functions described in this manual.  
 Always use the manufacturer's recommended spare parts

|                                       |  |  |                          |
|---------------------------------------|--|--|--------------------------|
| <b>Service 1</b>                      |  | Date:  |                          |
| Engineer's name:                      |  |  |                          |
| Company name:                         |  |  |                          |
| Telephone number:                     |  |  |                          |
| Registration number:                  |  |  |                          |
| Fire valve inspected (rated to 85 °C) |  | Yes <input type="checkbox"/> No <input type="checkbox"/> |                          |
| Nozzle changed?                       | Yes <input type="checkbox"/> No <input type="checkbox"/> | Pump pressure:   | psi                      |
| CO <sub>2</sub>                       | CO   | ppm  | CO/CO <sub>2</sub> ratio |
| F.G.T.                                | °C   | Flue pressure:   |                          |
| Comments:                             |  |  |                          |
| Signature:                            |  |  |                          |

|                                       |  |  |                          |
|---------------------------------------|--|--|--------------------------|
| <b>Service 3</b>                      |  | Date:  |                          |
| Engineer's name:                      |  |  |                          |
| Company name:                         |  |  |                          |
| Telephone number:                     |  |  |                          |
| Registration number:                  |  |  |                          |
| Fire valve inspected (rated to 85 °C) |  | Yes <input type="checkbox"/> No <input type="checkbox"/> |                          |
| Nozzle changed?                       | Yes <input type="checkbox"/> No <input type="checkbox"/> | Pump pressure:   | psi                      |
| CO <sub>2</sub>                       | CO   | ppm  | CO/CO <sub>2</sub> ratio |
| F.G.T.                                | °C   | Flue pressure:   |                          |
| Comments:                             |  |  |                          |
| Signature:                            |  |  |                          |

|                                       |  |  |                          |
|---------------------------------------|--|--|--------------------------|
| <b>Service 5</b>                      |  | Date:  |                          |
| Engineer's name:                      |  |  |                          |
| Company name:                         |  |  |                          |
| Telephone number:                     |  |  |                          |
| Registration number:                  |  |  |                          |
| Fire valve inspected (rated to 85 °C) |  | Yes <input type="checkbox"/> No <input type="checkbox"/> |                          |
| Nozzle changed?                       | Yes <input type="checkbox"/> No <input type="checkbox"/> | Pump pressure:   | psi                      |
| CO <sub>2</sub>                       | CO   | ppm  | CO/CO <sub>2</sub> ratio |
| F.G.T.                                | °C   | Flue pressure:   |                          |
| Comments:                             |  |  |                          |
| Signature:                            |  |  |                          |

|                                       |  |  |                          |
|---------------------------------------|--|--|--------------------------|
| <b>Service 7</b>                      |  | Date:  |                          |
| Engineer's name:                      |  |  |                          |
| Company name:                         |  |  |                          |
| Telephone number:                     |  |  |                          |
| Registration number:                  |  |  |                          |
| Fire valve inspected (rated to 85 °C) |  | Yes <input type="checkbox"/> No <input type="checkbox"/> |                          |
| Nozzle changed?                       | Yes <input type="checkbox"/> No <input type="checkbox"/> | Pump pressure:   | psi                      |
| CO <sub>2</sub>                       | CO   | ppm  | CO/CO <sub>2</sub> ratio |
| F.G.T.                                | °C   | Flue pressure:   |                          |
| Comments:                             |  |  |                          |
| Signature:                            |  |  |                          |

|                                       |  |  |                          |
|---------------------------------------|--|--|--------------------------|
| <b>Service 9</b>                      |  | Date:  |                          |
| Engineer's name:                      |  |  |                          |
| Company name:                         |  |  |                          |
| Telephone number:                     |  |  |                          |
| Registration number:                  |  |  |                          |
| Fire valve inspected (rated to 85 °C) |  | Yes <input type="checkbox"/> No <input type="checkbox"/> |                          |
| Nozzle changed?                       | Yes <input type="checkbox"/> No <input type="checkbox"/> | Pump pressure:   | psi                      |
| CO <sub>2</sub>                       | CO   | ppm  | CO/CO <sub>2</sub> ratio |
| F.G.T.                                | °C   | Flue pressure:   |                          |
| Comments:                             |  |  |                          |
| Signature:                            |  |  |                          |

|                                       |  |  |                          |
|---------------------------------------|--|--|--------------------------|
| <b>Service 2</b>                      |  | Date:  |                          |
| Engineer's name:                      |  |  |                          |
| Company name:                         |  |  |                          |
| Telephone number:                     |  |  |                          |
| Registration number:                  |  |  |                          |
| Fire valve inspected (rated to 85 °C) |  | Yes <input type="checkbox"/> No <input type="checkbox"/> |                          |
| Nozzle changed?                       | Yes <input type="checkbox"/> No <input type="checkbox"/> | Pump pressure:   | psi                      |
| CO <sub>2</sub>                       | CO   | ppm  | CO/CO <sub>2</sub> ratio |
| F.G.T.                                | °C   | Flue pressure:   |                          |
| Comments:                             |  |  |                          |
| Signature:                            |  |  |                          |

|                                       |  |  |                          |
|---------------------------------------|--|--|--------------------------|
| <b>Service 4</b>                      |  | Date:  |                          |
| Engineer's name:                      |  |  |                          |
| Company name:                         |  |  |                          |
| Telephone number:                     |  |  |                          |
| Registration number:                  |  |  |                          |
| Fire valve inspected (rated to 85 °C) |  | Yes <input type="checkbox"/> No <input type="checkbox"/> |                          |
| Nozzle changed?                       | Yes <input type="checkbox"/> No <input type="checkbox"/> | Pump pressure:   | psi                      |
| CO <sub>2</sub>                       | CO   | ppm  | CO/CO <sub>2</sub> ratio |
| F.G.T.                                | °C   | Flue pressure:   |                          |
| Comments:                             |  |  |                          |
| Signature:                            |  |  |                          |

|                                       |  |  |                          |
|---------------------------------------|--|--|--------------------------|
| <b>Service 6</b>                      |  | Date:  |                          |
| Engineer's name:                      |  |  |                          |
| Company name:                         |  |  |                          |
| Telephone number:                     |  |  |                          |
| Registration number:                  |  |  |                          |
| Fire valve inspected (rated to 85 °C) |  | Yes <input type="checkbox"/> No <input type="checkbox"/> |                          |
| Nozzle changed?                       | Yes <input type="checkbox"/> No <input type="checkbox"/> | Pump pressure:   | psi                      |
| CO <sub>2</sub>                       | CO   | ppm  | CO/CO <sub>2</sub> ratio |
| F.G.T.                                | °C   | Flue pressure:   |                          |
| Comments:                             |  |  |                          |
| Signature:                            |  |  |                          |

|                                       |  |  |                          |
|---------------------------------------|--|--|--------------------------|
| <b>Service 8</b>                      |  | Date:  |                          |
| Engineer's name:                      |  |  |                          |
| Company name:                         |  |  |                          |
| Telephone number:                     |  |  |                          |
| Registration number:                  |  |  |                          |
| Fire valve inspected (rated to 85 °C) |  | Yes <input type="checkbox"/> No <input type="checkbox"/> |                          |
| Nozzle changed?                       | Yes <input type="checkbox"/> No <input type="checkbox"/> | Pump pressure:   | psi                      |
| CO <sub>2</sub>                       | CO   | ppm  | CO/CO <sub>2</sub> ratio |
| F.G.T.                                | °C   | Flue pressure:   |                          |
| Comments:                             |  |  |                          |
| Signature:                            |  |  |                          |

|                                       |  |  |                          |
|---------------------------------------|--|--|--------------------------|
| <b>Service 10</b>                     |  | Date:  |                          |
| Engineer's name:                      |  |  |                          |
| Company name:                         |  |  |                          |
| Telephone number:                     |  |  |                          |
| Registration number:                  |  |  |                          |
| Fire valve inspected (rated to 85 °C) |  | Yes <input type="checkbox"/> No <input type="checkbox"/> |                          |
| Nozzle changed?                       | Yes <input type="checkbox"/> No <input type="checkbox"/> | Pump pressure:   | psi                      |
| CO <sub>2</sub>                       | CO   | ppm  | CO/CO <sub>2</sub> ratio |
| F.G.T.                                | °C   | Flue pressure:   |                          |
| Comments:                             |  |  |                          |
| Signature:                            |  |  |                          |

## Notes

## Notes



**If in the unlikely event the boiler does not give complete satisfaction, before calling for a service engineer, the installer should check the following:**

**General checks:**

1. Is there 230V across the boiler live and neutral terminals?
2. Is the polarity correct? (230V across live and earth, 0V across neutral and earth)
3. Is the air bled from the primary system?
4. Is the air bled from the oil supply?
5. Is the flue sized and routed correctly

**Boiler runs straight to lockout**

1. Has the oil line been purged of air?
2. Where an air eliminator is used in conjunction with a top feed oil tank the non-return valve, (if fitted), should be removed from the oil dip pipe.

**Boiler locks out at the start of a demand (Heating off overnight for example)**

1. If an air eliminator is being used, check that there are no leaks that allow air to be pulled into the oil supply.
2. If a two pipe oil supply is a being used, has a non-return valve been fitted to the inlet pipe? Refer to the instructions for guidelines.

**No domestic hot water**

1. Is there a domestic hot water demand from the programmer and has the tank reached temperature?
2. Is the circulating pump operating?
3. Are the programmer, tank thermostat, circulating pump and diverter valve/zone valves wired correctly?
4. Is there 230V across L and N? If not there is no demand to the boiler from the controls or the controls wiring is not correct.

**No central heating**

1. Are both programmer and room thermostat on demand for central heating?
2. Are the room thermostat, programmer, circulating pump and diverter valve/zone valves (if CH and DHW system) wired correctly?
3. Is the circulating pump operating?
4. Is there 230V across L and N? If not there is no demand to the boiler from the controls or the controls wiring is not correct.



**NOTICE: APPLIANCE OPERATION**  
UNDER NO CIRCUMSTANCES MUST AN  
APPLIANCE BE LEFT TO OPERATE WITH ANY  
CONTROL LINKED OUT OR OVER RIDDEN.

**WORCESTER, BOSCH GROUP:**

|                    |               |
|--------------------|---------------|
| TECHNICAL SUPPORT: | 0330 123 3366 |
| APPOINTMENTS:      | 0330 123 9339 |
| SPARES:            | 0330 123 9779 |
| LITERATURE:        | 0330 123 9119 |
| TRAINING:          | 0330 123 0166 |
| SALES:             | 0330 123 9669 |

Worcester, Bosch Group  
Cotswold Way, Warndon, Worcester WR4 9SW.  
Tel. 0330 123 9559

Worcester, Bosch Group is a brand name of Bosch Thermotechnology Ltd.  
worcester-bosch.co.uk

6 720 821 686 (2018/11)

**WORCESTER**  
Bosch Group